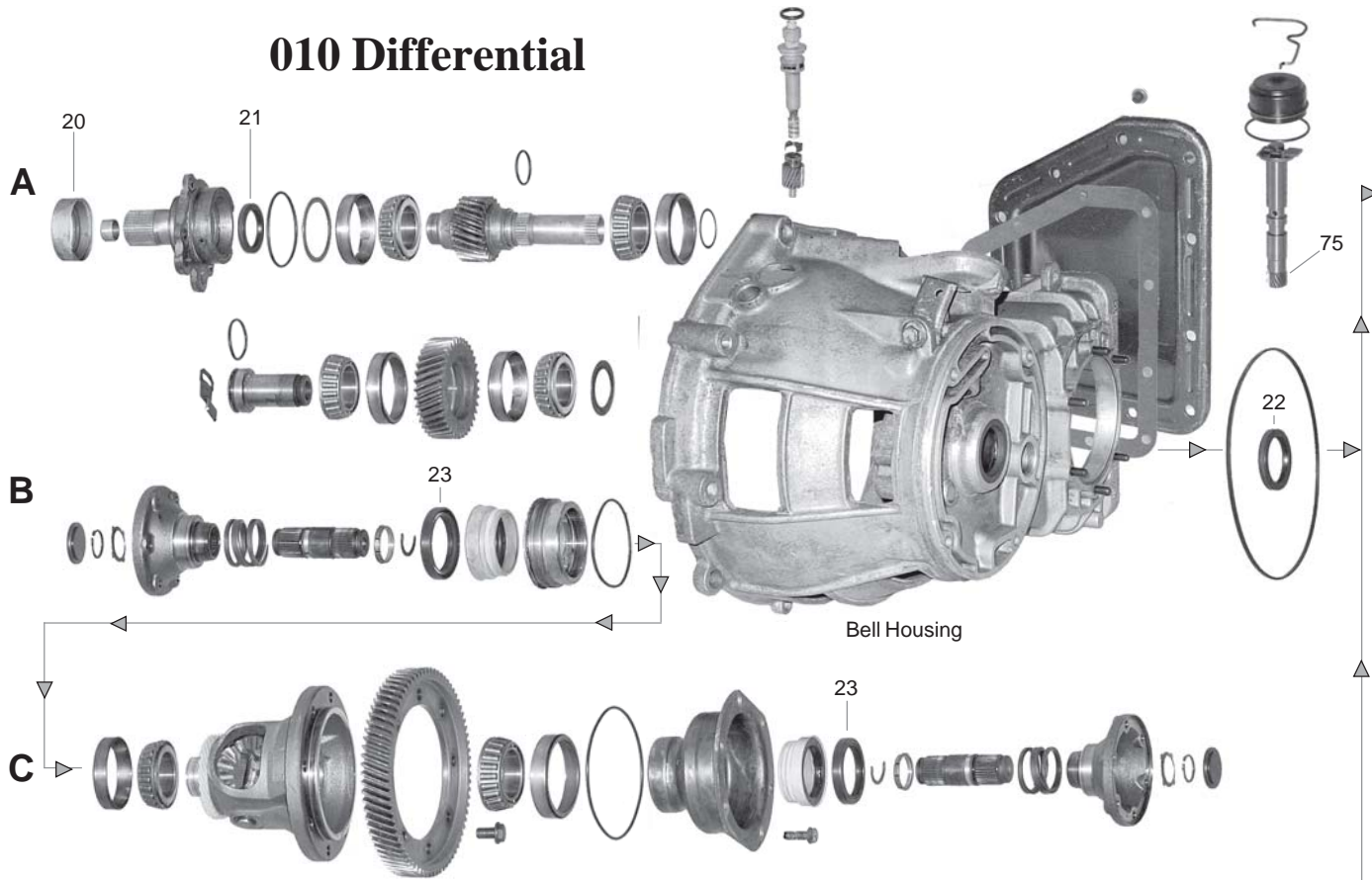
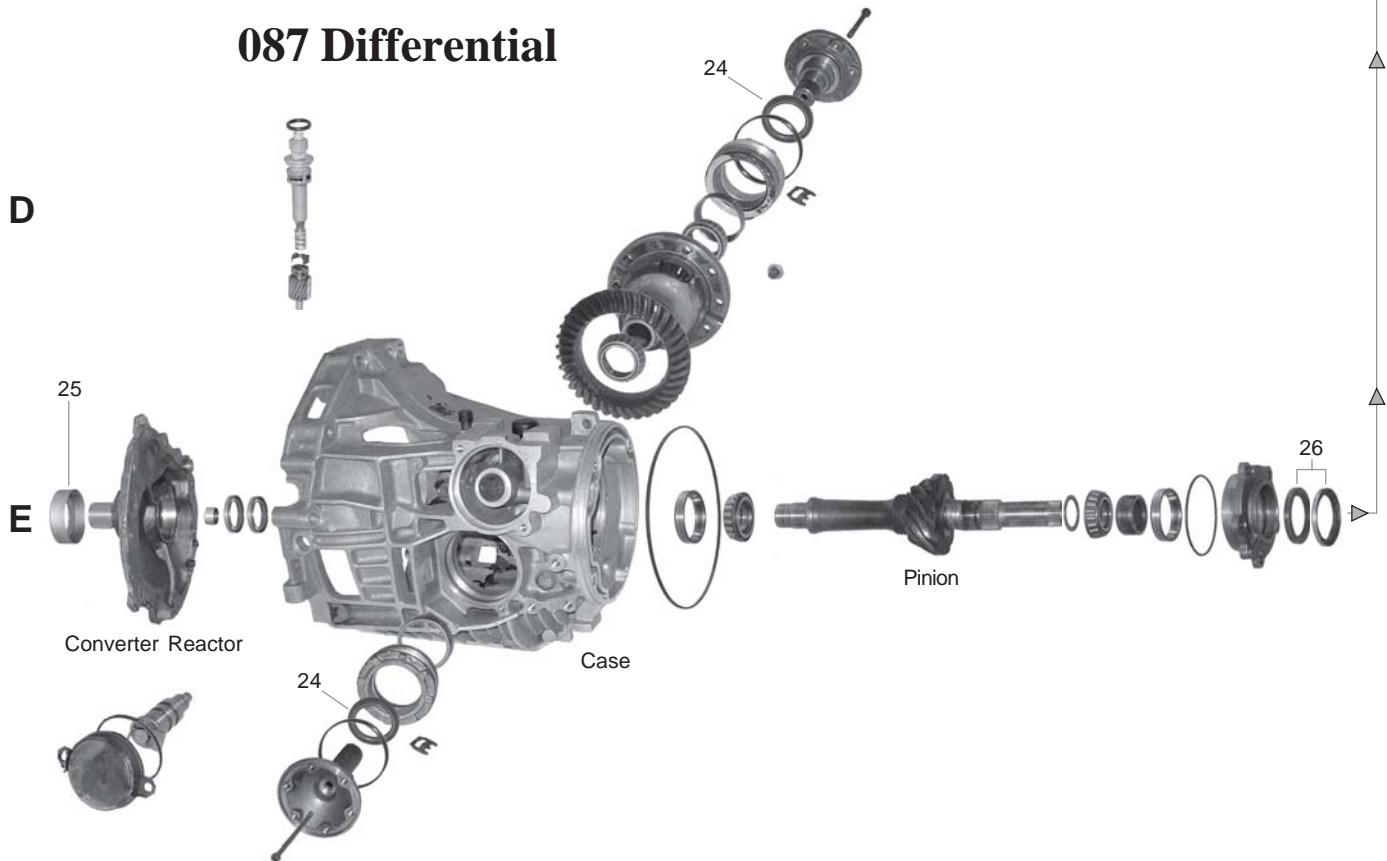
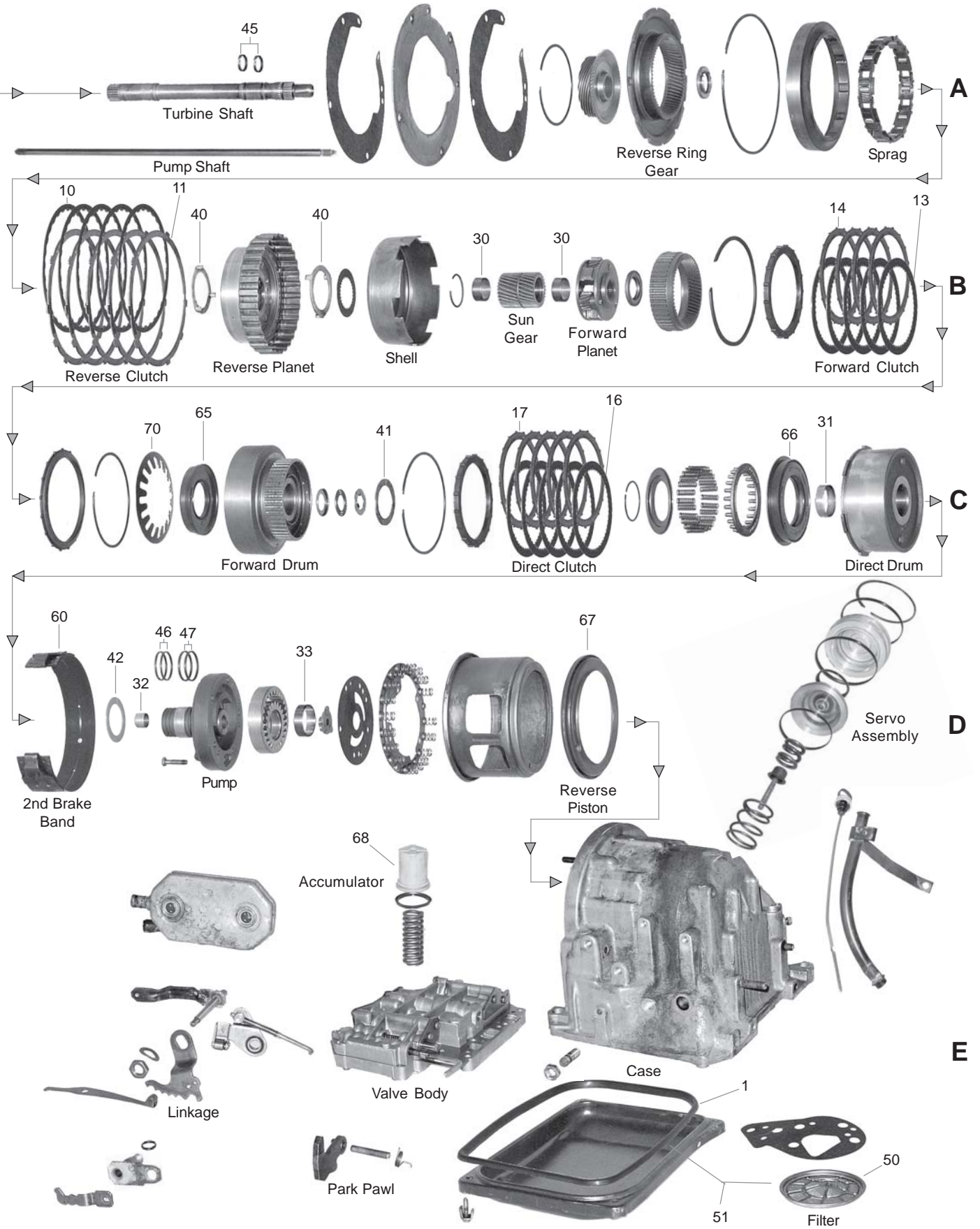


010 Differential



087 Differential





Volkswagen 010, 087, 089, & 090 (FWD 3-Speed)

TRANSMISSION		APPLICATION (FOR VEHICLES WITH 3 SPEED TRANSAXLES)		
010	VW Golf, Jetta, Rabbit, Scirocco, & Fiat Strada		
087	Audi 80, 90, 100, 4000 (5 Cylinder), 5000 & Coupe, Porsche 924 & 944, VW Quantum (5 Cylinder)		
089	Audi Fox, 4000 (4 Cylinder), Dasher & VW Quantum (4 Cylinder)		
090	VW Bus, Camper, Kombi & Vanagon		
ILL. NO.	PART NUMBER	PER CAR	DESCRIPTION	YEARS
REBUILDER BOX KITS				
---	K6000R-S ^{1,2}		Master Kit (w/o Steels)..... 010	1975-92
---	K6000E-S ^{1,2}		Master Kit (w/o Steels)..... 087 w/4.750" Direct Frictions	1978-92
---	K6000F-S ^{1,2}		Master Kit (w/o Steels)..... 087 w/5.000" Direct Frictions	1983-92
---	K6000D-S ^{1,2}		Master Kit (w/o Steels)..... 089	1975-92
---	K6000V-S ^{1,2}		Master Kit (w/o Steels)..... 090	1977-92
Steel Plate Sub-Kits:				
---	K6000R-9		Steel Plate Kit 010	1975-92
---	K6000E-9		Steel Plate Kit 087 w/4.750" Direct Frictions	1978-92
---	K6000F-9		Steel Plate Kit 087 w/5.000" Direct Frictions	1983-92
---	K6000D-9		Steel Plate Kit 089	1975-92
---	K6000E-9		Steel Plate Kit 090	1977-92
¹ Molded Rubber Pistons are not included in any kits, please order separately. ² These kits also include the appropriate Final Drive Sub-Kit.				
OVERHAUL KITS, GASKET SETS, AND PAN GASKETS				
---	K60900R ^{1,2}		Overhaul Kit 010	1975-92
---	K60900E ^{1,2}		Overhaul Kit 087	1978-92
---	K60900D ^{1,2}		Overhaul Kit 089	1975-92
---	K60900V ^{1,2}		Overhaul Kit 090	1977-92
---	K60900R-1		Gasket and Rubber Kit Transmission Section Only	1975-92
---	K60900-2		Final Drive Sub-Kit 010	1975-92
---	K60900-2A		Final Drive Sub-Kit 087, 089	1975-92
---	K60900-2V		Final Drive Sub-Kit 090	1977-92
1E	60170R		Oil Pan Seal Molded Rubber	1975-92
CLUTCH PLATES				
10B	60321A	4-5	Reverse Friction 30T, .061" - 6.692" O.D.	1975-92
11B	60322	4-5	Reverse Steel 8T, .079" - 6.175" I.D.	1975-92
13B	60304B	3-5	Forward Friction 48T, .061" - 4.750" O.D.	1975-92
14B	60305A	2-4	Forward Steel 17T, .079" - 4.055" I.D.	1975-92
16C	60304A	3-4	Direct Friction 48T, .090" - 4.750" O.D.	1975-92
16C	60304F	4	Direct Friction 49T, .090" - 5.000" O.D.	1983-92
17C	60305A	3-5	Direct Steel 17T, .079" - 4.055" I.D.	1975-92
17C	60305F	5	Direct Steel 53T, .079" - 4.055" I.D.	1983-92
METAL CLAD SEALS				
20A	60506	1	Torque Converter (42x60x19mm) 010	1975-92
---	60517	1	Turbine Shaft to Pump Shaft All	1975-92
21A	60501	1	Drive Shaft (30x42x7mm) 010	1975-92
22B	60507	1	Final Drive to Transmission (38x52x7mm) 010	1975-92
23B,C	60509	2	Axle Shaft (36x60x10mm) 010	1975-83
23B,C	60516	2	Axle Shaft (50x65x10mm) 010	1984-92

Volkswagen 010, 087, 089, & 090 (FWD 3-Speed)

VW 010, 087, 089, 090

ILL. NO.	PART NUMBER	PER CAR	DESCRIPTION	YEARS
METAL CLAD SEALS				
24D,E	60504	2	Axle Shaft (45x60x8mm)	087, 089, 090 1975-92
---	60510	1	Governor Shaft (22x31x7mm)	087, 089 1975-92
---	60505	1	Governor Shaft (10x19x7mm)	090 1977-92
25E	60506	1	Torque Converter (42x60x19mm)	087, 090 1975-92
25E	60502	1	Torque Converter (42x55x7mm)	090 1977-92
26E	60513	2	Pinion Cover (38x54x7mm)	089, 090 1975-92
26E	60515	2	Pinion Cover (45x62x7mm)	087 1978-92
---	60511	1	Pinion Shaft (26x38x6mm)	089, 090 1975-92
---	60514	2	Pinion Shaft (28x40x7mm)	087 1978-92
BUSHINGS				
---	K60980R	1	Bushing Assortment Kit	1975-92
---	60010	1	Torque Converter	1975-92
30B	60019	2	Sun Gear	1975-92
31C	60018	1	Clutch Drum	1975-92
32D	60011	1	Front Pump to Input Shaft	1975-92
33D	60010	1	Front Pump Gear	1975-92
THRUST WASHERS				
40B	60405R	1-2	Rear Planetary	Metal - 3 Tabs 1975-92
40B	60406R	1-2	Rear Planetary	Metal - 4 Tabs 1977-92
41C	60400R	1	Direct Drum to Forward Drum	Plastic - No Tabs 1977-92
42D	60400R	1	Pump to Direct Drum	Plastic - No Tabs 1975-92
SEALING RINGS				
---	K60901	1	Sealing Ring Kit	1975-92
45A	60201	2	Turbine Shaft	1975-92
46D	60200	2	Forward Clutch Drum	1975-92
47D	60203	2	Direct Clutch Drum	1975-92
TRANSMISSION OIL FILTERS				
50E	60602	1	Oil Filter	Round w/Offset Bolt Hole 1977-92
51E	ATK-54	1	Oil Filter Kit	Round w/Offset Bolt Hole 1977-92
BANDS				
60D	60714R	1	Intermediate Brake Band	Flex 1975-92
PISTONS				
---	K60900B-4	1	Piston Kit (60829P Not Included)	Molded Rubber 1975-82
---	K60900C-4	1	Piston Kit (60829P Not Included)	Molded Rubber 1983-On
65C	60830	1	Forward Clutch Piston	Molded Rubber 1975-92
66C	60831	1	Direct Clutch Piston	Molded Rubber 1975-92
67D	60828	1	Reverse Clutch Piston	Molded Rubber 1975-82
67D	60828C	1	Reverse Clutch Piston (w/Check Valve)	Molded Rubber 1983-92
68D	60829P	1	Accumulator Piston (Plastic)	Lip Seal Design 1975-92
MISCELLANEOUS				
70C	60839	1	Forward Clutch Diaphragm Spring	1975-92
75A	K60915	1	Governor Gear Kit	18 Teeth 1975-92
75A	K60915A	1	Governor Gear Kit	13 Teeth 1976-92