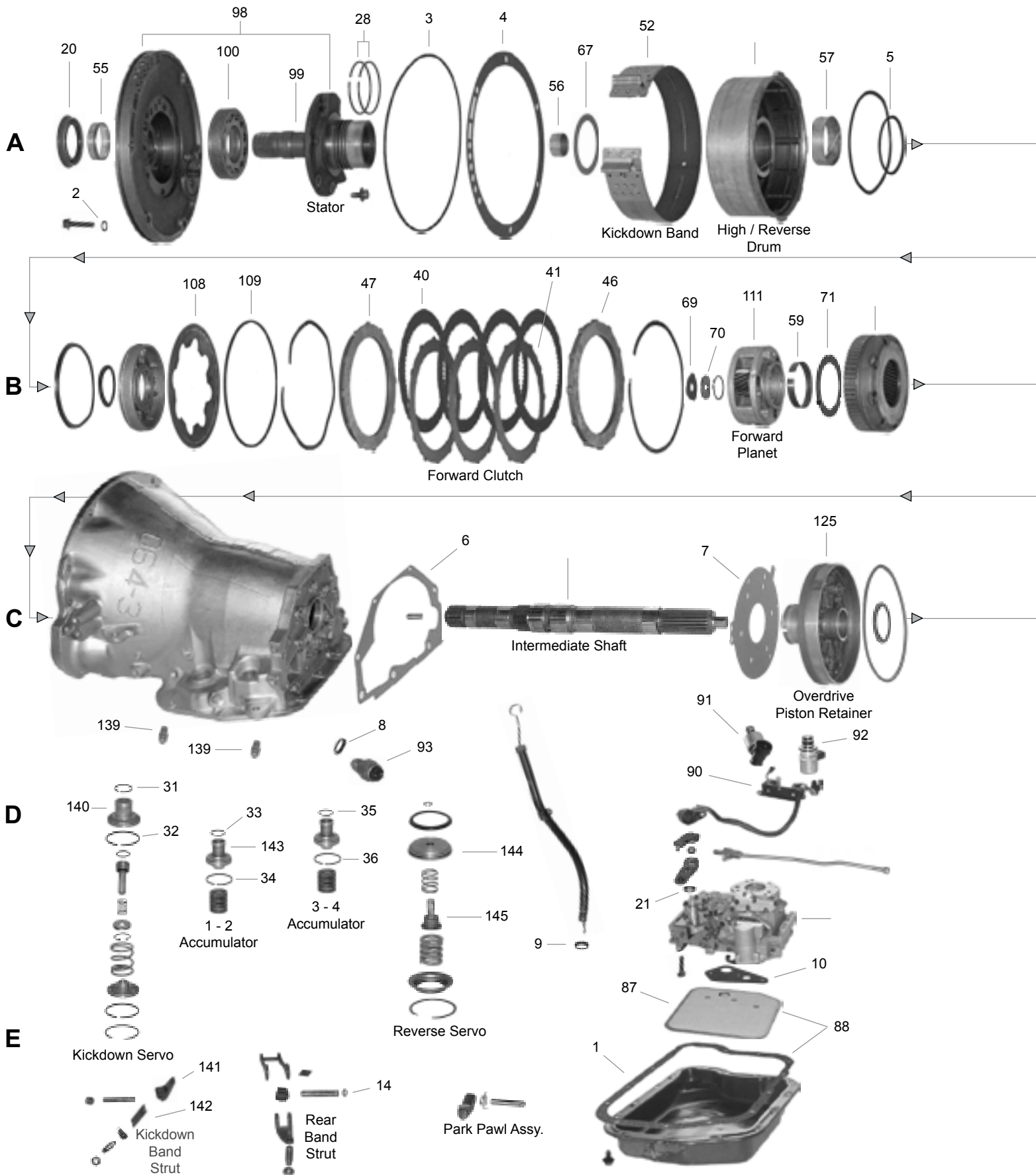
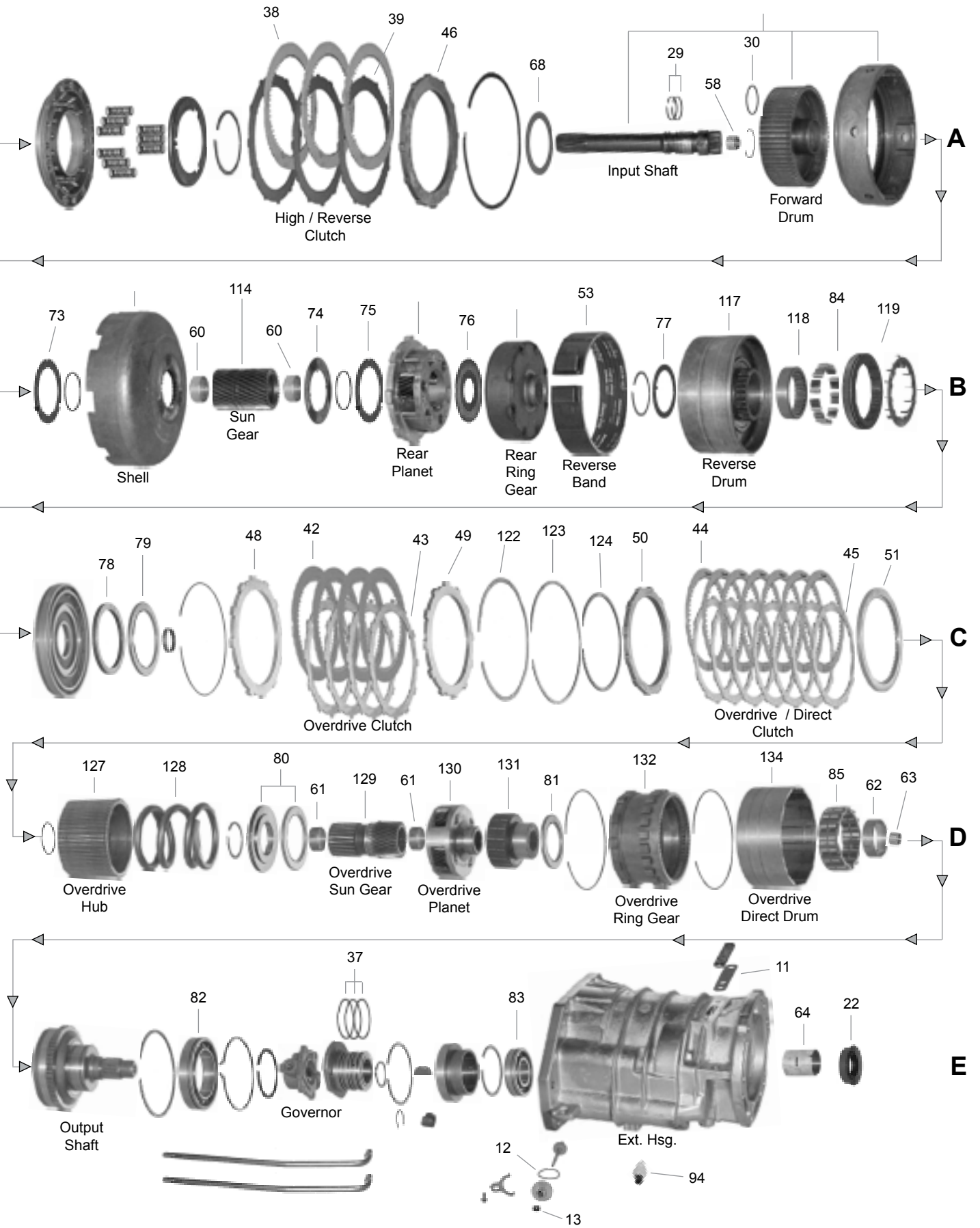


TF-8, A518/618 (46/47RH/RE / 48RE) RWD 3 & 4 Spd



RWD 3 & 4 Spd TF-8, A518/618 (46/47RH/RE / 48RE)



Chrysler TF-8, A518/618 (46RH/E, 47RH/E) & 48RE

ILL. NO.	PART NUMBER	PER CAR	DESCRIPTION	YEARS
REBUILDER BOX KITS				
O/D Unit Identification:				
- Electronic (RE) Units utilize an 8-pin case connector.				
- Hydraulic (RH) Units utilize a 2 or 3-pin case connector.				
---	MRK2200C-S ^{1,2}		Master Rebuilder Kit TF-8 (For 1962-70 Order K22950B-5 Also)	1971-01
---	MRK2200G-S ⁶		Master Rebuilder Kit 46RH/RE Except Below	1990-97
---	MRK2200J-S ⁶		Master Rebuilder Kit Jeep Grand Cherokee, Dakota w/46RE	1997
---	MRK2200J-S ⁶		Master Rebuilder Kit All 46RE	1998-03
---	MRK2200H-S ^{3,5}		Master Rebuilder Kit 47RH/RE, V10 Gas and Diesel	1994-97
---	MRK2200K-S ⁶		Master Rebuilder Kit 47RE, V10 Gas and Diesel	1998-03
---	MRK2200LA-S		Master Rebuilder Kit..... 48RE w/O/D Direct Friction/Steel Pack to Replace Half-Lined	03-E/04
---	MRK2200M-S		Master Rebuilder Kit 48RE w/Conventional O/D Direct Frictions	2004-On
---	K2200C-S ^{1,2}		Master Kit TF-8 (For 1962-70 Order K22950B-5 Also)	1971-01
---	K2200G-S		Master Kit 46RH/RE Except Below	1990-97
---	K2200J-S		Master Kit Jeep Cherokee, Dakota w/46RE	1997
---	K2200J-S		Master Kit All 46RE	1998-03
---	K2200H-S ³		Master Kit 47RH/RE, V10 Gas and Diesel	1994-97
---	K2200K-S		Master Kit 47RE, V10 Gas and Diesel	1998-03
---	K2200LA-S		Master Kit 48RE w/O/D Direct Friction/Steel Pack to Replace Half-Lined	03-E/04
---	K2200M-S		Master Kit 48RE w/Conventional O/D Direct Frictions	2004-On
Steel Plate Sub-Kits:				
---	K2200C-9		Steel Plate Kit..... TF-8	1962-01
---	K2200G-9		Steel Plate Kit..... 46RH/RE, Except Below	1990-97
---	K2200J-9		Steel Plate Kit..... Jeep Cherokee, Dakota w/46RE	1997
---	K2200J-9		Steel Plate Kit..... All 46RE	1998-03
---	K2200H-9 ⁴		Steel Plate Kit..... 47RH/RE, V10 Gas and Diesel	1990-97
---	K2200K-9		Steel Plate Kit..... 47RE, V10 Gas and Diesel	1998-03
---	K2200L-9		Steel Plate Kit..... 48RE w/Half-Lined O/D Direct Frictions	03-E/04
---	K2200M-9		Steel Plate Kit..... 48RE w/Conventional O/D Direct Frictions	2004-On
¹ To service 1962-70 units, please order K22950B-5 Component Sub-Kit separately. ² Many 1997-01 36RH units now use a booted dipstick tube seal instead of an o'ring, please order 22141J . ³ 1997 units utilize (10) O/D Direct Frictions, please order (1) additional 12308 Friction separately. ⁴ 1997 units utilize thin O/D Direct Steels, please order K2200K-9 and (4) 22594 separately. ⁵ Kit includes 12776D Filter, some 1997 units use the 12776J Filter , please order separately. ⁶ Kit includes 12776J Filter, some 1998-99 units use the 12776D Filter , please order separately.				
OVERHAUL KITS, GASKET SETS, AND SEAL KITS				
---	K22950C ^{1,2}		Overhaul Kit..... TF-8	1971-01
---	K22950R		Overhaul Kit..... 46/47RH/RE	1990-03
---	K22950L		Overhaul Kit..... 48RE	2003-On
---	K22950C-1 ^{1,2}		Gasket and Rubber Kit (Duraprene)..... TF-8	1971-01
---	K22950R-1		Gasket and Rubber Kit (Duraprene)..... 46/47RH/RE	1990-On
---	K22950B-5		Component Sub-Kit..... Early TF-8 Component Sub-Kit	1962-70
---	K22950-7		Front Pump Seal-Up Kit All	1962-On
---	K22950-8 ²		External Seal-Up Kit (Includes 37551 Ext. Seal Only) TF-8	1962-01
---	K22950R-8		External Seal-Up Kit..... 46/47RH/RE	1990-03
---	K12900R-3		Valve Body Gasket Set Aftermarket, Corrects Many Valve Body Problems	1988-03
GASKET AND RUBBER COMPONENTS				
1E	22170	1	Pan Gasket Duraprene	1962-On
1E	22170LR	1	Pan Gasket (48RE, Will Retrofit) Molded Rubber	2003-On
2A	3601SL	7	Front Pump Bolt Washer Seal.....	1962-On
3A	3857L	1	Front Pump to Case Seal.....	1962-On
4A	3856L	1	Front Pump to Case Gasket.....	1962-On

Chrysler TF-8, A518/618 (46RH/E, 47RH/E) & 48RE

ILL. NO.	PART NUMBER	PER CAR	DESCRIPTION	YEARS
GASKET AND RUBBER COMPONENTS - Cont'd.				
5A	22112	1	Direct Clutch Inner Lip Seal (Wide Base)	1971-On
6C	3838L	1	Extension Housing Gasket (Late)..... TF-8	1966-01
6C	12110	1	Extension Housing Gasket..... Except TF-8	1990-On
7C	22111G	1	Overdrive Piston Retainer to Case Gasket	1990-On
8D	2627W	1	Neutral Safety Switch Washer Seal	1966-On
9D	3291L	1	Oil Filler Tube O'Ring	1990-97
9D	22141J	1	Oil Filler Tube Seal	1997-On
10E	22120J	1	Filter Seal (Use with Plastic Filter)	1997-On
11E	13284	1	Output Shaft Bearing Cover Gasket.....	1966-On
12E	3301L	1	Speedometer Sleeve O'Ring.....	1966-On
13E	3991L	1	Speedometer Gear Shaft Seal..... w/o Spring	1966-On
13E	3991LX	1	Speedometer Gear Shaft Seal..... w/Spring	1966-On
14E	46131	1	Reverse Band Lever Shaft O'Ring	1962-On
---	12121	2	Solenoid Connector O'Ring.....	1990-On
---	3853L	1	Throttle Lever Shaft Seal.....	1962-On
---	22142	2	Shift Control Rod Grommet.....	1971-On
---	22140	1	Linkage Grommet.....	1971-On
METAL CLAD SEALS				
20A	22573	1	Front Pump (Some units may have a larger O.D Seal that it is not available)	1962-On
21D	22747	1	Manual Control Shaft.....	1966-On
22E	2978	1	Extension Housing Some TF-8 w/Bolt-on Yoke, 2.445" O.D.	1962-01
22E	37551	1	Extension Housing 2.503" O.D. w/o Boot	1965-03
22E	37551B	1	Extension Housing 2.503" O.D. w/Boot	1965-03
22E	22551L	1	Extension Housing TF-8 Truck w/Bolt-on Yoke & 48RE	1987-On
---	201049	1	Adapter Housing 4WD Only	1990-On
SEALING RINGS				
---	K22952B	1	Sealing Ring Kit TF-8	1962-70
---	K22952C	1	Sealing Ring Kit (22550R Not Included) TF-8	1971-01
---	K22952R	1	Sealing Ring Kit Except TF-8	1990-On
---	22200L	1	Stator Support (Front) 48RE	2003-On
28A	22550	2	Reaction Shaft Support TF-8	1962-70
28A	22550A	2	Reaction Shaft Support TF-8	1971-01
28A	22550R	2	Reaction Shaft Support Seal Plated	1971-On
29A	25505	2	Input Shaft (Small) TF-8	1962-66
29A	2864A	2	Input Shaft (Small - 1.182" O.D.) Metal	1967-93
29A	22201T	2	Input Shaft (Small - 1.182" O.D.) Teflon	1990-93
29A	22202	2	Input Shaft (Small - 1.254" O.D.) Metal	1994-On
29A	22202T	2	Input Shaft (Small - 1.254" O.D.) Teflon	1994-On
29A	22202P	2	Input Shaft (Small - 1.254" O.D.) PEEK	1994-On
30A	22200	1	Input Shaft (Large) Metal	1978-On
31D	19225	1	Kickdown Servo Piston (Small) TF-8	1962-01
31D	22206T	1	Kickdown Servo Piston (Small) Teflon	1990-On
32D	22827	1-2	Kickdown Servo Piston & Rod Guide (Large)	1962-On
33D	6230L	1	1-2 Accumulator Piston (Small) Metal	1962-On
33D	48203T	1	1-2 Accumulator Piston (Small) Teflon	1962-On
34D	4221	1	1-2 Accumulator Piston (Large) Metal	1962-On
34D	12204T	1	1-2 Accumulator Piston (Large) Teflon	1962-On
35D	12207T	1	3-4 Accumulator Piston (Small) Teflon	1990-On
36D	12206T	1	3-4 Accumulator Piston (Large) Teflon	1990-On
37E	12850	2	Governor Support..... TF-8	1962-01
37E	12205	3	Governor Support..... Except TF-8	1990-95

TF8 / A518 / 46/47 / 48RE

Chrysler TF-8, A518, A618 & 48RE - Cont'd.

ILL. NO.	PART NUMBER	PER CAR	DESCRIPTION	YEARS
CLUTCH PLATES				
38A	22595A	3-5	High/Reverse Friction Waffle - .095"	1962-01
38A	22595HE	3-5	High/Reverse Friction (High Energy) Parallel - .095"	1990-97
38A	22595J	3-5	High/Reverse Friction (High Energy) Parallel - .085"	1997-On
39A	22594	3-5	High/Reverse Steel064"	1962-01
39A	22594J	3-5	High/Reverse Steel082"	1997-On
39A	22596	AR	High/Reverse Steel Oversize - .090"	1962-On
40B	22642A	4	Forward (Rear) Friction062"	1962-97
40B	22642J	4	Forward (Rear) Friction (High Energy)062"	1997-03
40B	22642L	4	Forward (Rear) Friction (High Energy - 48RE) .93 Teeth - .062"	2003-On
41B	22594	3-4	Forward (Rear) Steel064"	1962-On
41B	22594J	AR	Forward (Rear) Steel082"	1990-On
41B	22596	AR	Forward (Rear) Steel Oversize - .090"	1962-On
42C	12310HE	3-6	Overdrive Friction (High Energy - Waved)090"	1990-On
43C	12311	2-6	Overdrive Steel068"	1990-On
44C	12308	8-10	Overdrive Direct Friction062"	1990-On
44C	12308L	12	Overdrive Direct Half-Lined (Internal Spline - 48RE) .048" <i>Factory Discontinued</i>	2003-E/04
45C	12309L	11	Overdrive Direct Half-Lined (External Spline - 48RE) .048" <i>Factory Discontinued</i> ...	2003-E/04
45C	12309	7-8	Overdrive Direct Steel068"	1990-On
45C	12309J	9	Overdrive Direct Steel (47/48RE)055"	1997-On
Pressure Plates:				
46A/B	22312	1-2	High/Reverse & Forward Pressure Plate	1990-On
47B	22313	1	Forward Reaction Plate Beveled	1990-On
48C	12315⁷	1	Overdrive Pressure Plate216"	1990-On
48C	12315D⁷	1	Overdrive Pressure Plate371"	1996-On
49C	12315⁷	1	Overdrive Reaction Plate216"	1990-On
50C	12318⁷	1	O/D Direct Reaction Plate217"	1990-On
50C	12318D⁷	1	O/D Direct Reaction Plate085"	1994-On
51C	12317⁷	1	O/D Direct Pressure Plate	1990-On
⁷ Measure the Pressure Plate on the <i>Lug</i> for thickness specification.				
BANDS				
52A	22825	1	Kickdown-Flex All	1962-On
52A	22825HD	1	Kickdown-Flex Raybestos Pro Series - Heavy Duty/HiPo Applications ...	1962-On
53B	22900	1	Low and Reverse 6.00" O.D. Drum - Thin Lug	1962-89
53B	22900A⁸	1	Low and Reverse w/6.00" O.D. Drum/12-Roller Overrun Clutch	1990-E/91
53B	22900B	1	Low and Reverse w/6.25" O.D. Drum/14-Roller Overrun Clutch	L/91-03
53B	22900H	1	Low and Reverse (47RH/RE - 48RE) Double Wrap	1994-On
⁸ E/91 units may have a 6.00" Drum with a <u>14-Roller Sprag</u> , order by drum dimension.				
BUSHINGS				
---	K22980A	1	Bushing Assortment Kit (* Not Included) TF-8	1967-01
---	K22980G	1	Bushing Assortment Kit (* Not Included) Except TF-8	1990-On
55A	22003A	1	Front Pump Body Babbitt	1962-On
55A	22003*	1	Front Pump Body Dimpled Bronze	1962-On
56A	22005A	1	Reaction Shaft.....	1967-93
56A	22005H	1	Reaction Shaft.....	1994-On
57A	22006	1	Front Clutch Drum.....	1962-70
57A	22007	1	Front Clutch Drum.....	1971-On
58A	22001	1	Input Shaft.....	1962-On
59B	22011H*	1	Wear Sleeve/Bushing (For 5-Pinion Steel Front Planet)	1994-03
59B	22011L*	1	Wear Sleeve/Bushing (For 6-Pinion Steel Front Planet- 48RE)	2003-On
60B	22002	2	Sun Gear..... Front & Rear - .500" Tall	1962-On

Chrysler TF-8, A518, A618 & 48RE - Cont'd.

ILL. NO.	PART NUMBER	PER CAR	DESCRIPTION	YEARS
BUSHINGS - Cont'd.				
60B	22002A*	1	Sun Gear Rear - .750" Tall	1990-On
61D	12006	1-2	Overdrive Sun Gear Front & Rear, 1.425" O.D.	1990-On
61D	12006H	1	Overdrive Sun Gear (Flange Style) Front	1994-E/99
61D	12006HA	1	Overdrive Sun Gear (Thick Wall) Front, 1.500" O.D.	L/99-On
62D	12007	1	Output Shaft - Large	1990-On
63D	12009	1	Output Shaft - Small	1990-On
64E	B6023	1	Extension Housing Bronze	1965-03
64E	37008T*	1	Extension Housing Teflon	1965-03
64E	22008L*	1	Extension Housing (48RE)	2003-On
THRUST WASHERS AND BEARINGS				
---	K22940A	1	Thrust Washer Kit TF-8	1967-01
---	K22940G	1	Thrust Washer Kit w/4-Pinion Planet (Except TF-8)	1990-03
---	K22940H	1	Thrust Washer Kit w/5-Pinion Planet	1994-03
---	K22940L	1	Thrust Washer Kit w/6-Pinion Planet - 48RE	2003-On
---	K22442	1	End-Play Shims (Ten .010" Shim) Fits 3 or 4-Pinion Planets	1962-On
---	K12941G	1	Thrust Bearing Kit (O/D Section)	1990-On
67A	22449A	AR	Pump Selective061"	1962-On
67A	22449C	AR	Pump Selective081"	1962-On
67A	22449D	AR	Pump Selective102"	1962-On
67A	22449E	AR	Pump Selective121"	1962-On
67A	22449F	AR	Pump Selective139"	1962-On
67A	22449G	AR	Pump Selective157"	1962-On
68A	22449A	1	Front to Rear Clutch Hub061"	1962-On
69B	22665A	1	Output Shaft (TF-8) Bronze	1962-77
69B	22665B	1	Output Shaft (TF-8) 3 External Tabs - .063"	1978-89
69B	22665R	1	Output Shaft (TF-8) 3 External Tabs - .068"	1990-01
69B	22665Q	AR	Intermediate Shaft (Small I.D.) 3 External Tabs - .052"	1990-On
69B	22665R	1	Intermediate Shaft (Small I.D.) 3 External Tabs - .068"	1990-On
69B	22665T	AR	Intermediate Shaft (Small I.D.) 3 External Tabs - .083"	1990-On
70B	22666B	1	Output Shaft Race (TF-8) Large I.D.	1978-89
70B	22666R	1	Output Shaft Race (TF-8) Small I.D.	1990-01
70B	22666R	1	Intermediate Shaft Race (Small I.D.)060"	1990-On
71B	22700	1	Front Planet Carrier (3 Pinion) 3 Tabs	1962-03
71B	22700A	1	Front Planet Carrier (4 Pinion) 4 Tabs	1967-03
71B	22700B	1	Front Planet Carrier (5-Pinion) 5 Tabs	1994-03
71B	22700L	1	Front Planet Carrier (6-Pinion - 48RE) 6 Tabs	2003-On
---	22403	1	Front Annulus Gear Support Thrust Plate (A518 Only)	1994-03
73B	22700	1	Sun Gear Shell (Front) Thrust Washer 3 Tabs	1962-03
73B	22700J	1	Sun Gear Shell (Front) Thrust Washer 6 Tabs	1997-On
74B	22405	1	Sun Gear Shell (Rear) Thrust Plate 4 Inside Tangs	1990-On
75B	22700	1	Rear Planet Carrier 3 Tabs	1962-03
75B	22700A	1	Rear Planet Carrier 4 Tabs - 2.50" I.D.	1967-03
75B	22700E	1	Rear Planet Carrier 4 Tabs - 2.25" I.D.	1997-03
75B	22700LA	2	Rear Planet Carrier (Front & Rear) 6 Tabs - 48RE	2003-On
76B	22406	1	Rear Planet to Rear Ring Gear Thrust Plate	1990-On
77B	12407	1	Reverse Drum Thrust Washer 2 Inside Tangs	1994-On
78C	K12409W	1	O/D Piston Thrust Plate Washer and Shim Kit (1 Washer & 3 Shims)	1990-On
78C	12409	AR	O/D Piston Thrust Plate109"	1990-On
78C	12409A	AR	O/D Piston Thrust Plate139"	1990-On
78C	12409B	AR	O/D Piston Thrust Plate154"	1990-On
78C	12409C	AR	O/D Piston Thrust Plate169"	1990-On
78C	12409D	AR	O/D Piston Thrust Plate184"	1990-On

TF8 / A518 / 46/47 / 48RE

Chrysler TF-8, A518, A618 & 48RE - Cont'd.

ILL. NO.	PART NUMBER	PER CAR	DESCRIPTION	YEARS	
THRUST WASHER AND BEARINGS - Cont'd.					
78C	12409E	AR	O/D Piston Thrust Plate..... 199"	1990-On	
78C	12409F	AR	O/D Piston Thrust Plate..... 214"	1990-On	
78C	12409G	AR	O/D Piston Thrust Plate..... 229"	1990-On	
78C	12409H	AR	O/D Piston Thrust Plate..... 244"	1990-On	
Bearings:					
79C	12421	1	O/D Piston to Direct Clutch Hub Bearing	1990-On	
80D	K12450	1	O/D Sun Gear Thrust Plate and Bearing Kit (Updated)	1990-On	
81D	12420	1	Direct Roller Cam to Output Shaft Bearing	1990-On	
82E	12430	1	Output Shaft Bearing (Front - Ball Bearing) 4.335" O.D.	1990-On	
83E	12432	1	Output Shaft Bearing (Rear - Ball Bearing) 2.440" O.D.	1962-01	
83E	12431	1	Output Shaft Bearing (Rear - Ball Bearing) 2.833" O.D.	1962-On	
---	12440G	1	O.D. Housing Saver Shim (Superior)	1990-On	
SPRAGS AND ROLLER CLUTCHES					
84B	K22960A	1	Overrun Clutch Roller & Spring Kit..... 12 Rollers	1962-90	
84B	22814R	1	Overrun Clutch Roller Assembly	14 Rollers	1991-On
85D	12815R	1	Overdrive Clutch Roller Assembly.....	Double Roller Type	1990-On
TRANSMISSION OIL FILTERS					
87E	12776A	1	Oil Filter	Small Dacron	1962-01
87E	12776B	1	Oil Filter	Small Brass	1962-01
87E	12776D⁹	1	Oil Filter.....	All w/Large Dacron	1966-99
87E	12776J⁹	1	Oil Filter.....	All w/Plastic Body	1997-On
88E	ATK-4	1	Oil Filter Kit	Small Dacron	1962-01
88E	ATK-30⁹	1	Oil Filter Kit.....	All w/Large Dacron	1966-99
88E	ATK-191⁹	1	Oil Filter Kit.....	All w/Plastic Body	1997-On
⁹ 1997-99 units can utilize either filter, please visually I.D. before ordering.					
---	12605R	1	Overdrive Retainer Screened Orifice	See Page 3.14-8	1990-On
---	32612	1	Valve Body Screen	See Page 3.14-8	1962-On
---	48605	1	Governor Screen.....	See Page 3.14-8	1962-95
SHIFT ENHANCEMENTS AND VALVES					
---	K22946	1	Valve Body Systems Calibration Kit (TF-8)	TransGo	1962-01
---	ST22946	1	Shift Correction Package (TF-8)	Superior	1962-01
---	K22946G	1	Jr. Shift Kit (46/47RH/RE)	TransGo - All Vehicles	1990-03
---	K22946HD	1	Jr. Shift Kit (46/47RH/RE)	TransGo - Diesel & Gas H.D. Vehicles	1990-03
---	K22946L	1	Jr. Shift Kit (48RE)	TransGo - Reduces Converter Slip, Provides Powerful Shifts ...	2003-On
---	ST22946G	1	Shift Correction Package (46/47RH/RE)	Superior - All Vehicles	1990-98
---	ST22946L	1	Shift Correction Package (46/47RE)	Superior	1999-03
---	ST22946N	1	Shift Correction Package (48RE)	Superior	2003-On
---	SC-46/47RHE1	1	Sure Cure Kit (46/47/48RH/RE)	Sonnax	1990-On
---	TF-1	1	Reprogramming Shift Kit (TF-8)	Tow-or-Go	1962-01
---	TF-2	1	Reprogramming Shift Kit (TF-8)	Competition	1962-01
---	TF-3	1	Reprogramming Shift Kit (TF-8)	Stick Shift	1962-01
---	TFOD-HD2	1	Reprogramming Kit (46/47RH/RE)	TransGo	1990-03
---	K12948G	1	TF Detent Ball Bore Repair (46/47/48RH/RE)	TransGo	1990-On
<i>Allows use of worn valve body without special tools, keeps manual valve properly indexed.</i>					
---	K12990	1	Spring & Spacer Plate Kit (TF-8)	Corrects Lock-up Shudder	1978-01
---	12896W	1	Manual Valve (Allows Converter Charge in Park, Fits Units w/TCC Only)		1978-On
---	22989	1	Pressure Regulator Valve (Lube Regulated, Must Match Original Valve Design)		1978-On
---	22989W	1	Pressure Regulator Valve (Oversized, Lube Regulated, Use w/K22589W Tool Kit)		1978-03
---	22989L	1	Pressure Regulator Valve (Oversized, Lube Regulated, Use w/K22589L Tool Kit 48RE)		2003-On
---	K22889	1	Line Pressure Plug and Sleeve Kit (.200" Diameter - Addresses Slips in Reverse)		1962-On

Chrysler TF-8, A518, A618 & 48RE - Cont'd.

ILL. NO.	PART NUMBER	PER CAR	DESCRIPTION	YEARS
SHIFT ENHANCEMENTS AND VALVES - Cont'd.				
---	K22889HD	1	Line Pressure Plug and Sleeve Kit (.264" Diameter - Addresses Slips in Reverse)	1962-On
---	K12887	1	Throttle Valve Kit (Improves Shift Timing and T.V. Control)	1962-On
---	K12887D	1	Throttle Valve Kit (TransGo, No Reaming - Improves Shift Timing and T.V. Control)	1972-On
---	K12887W	1	Throttle Valve Kit (Oversized, Use w/K12587W Tool Kit)	1962-On
---	K12887HD	1	Throttle Valve Kit (Improves Shift Timing and T.V. Control, For Heavy Duty & Towing)	1962-On
---	12886G	1	Four Spooled Switch Valve (Improves Flow to the TCC Apply and Release Circuits)	1990-On
---	12886GW	1	Four Spooled Switch Valve (Oversized, Use w/K12586W Tool Kit)	1990-On
---	22773HD	1	3-4 Accumulator Spring (Heavy Duty)	1990-On
---	12880G	1	Boost Valve Spring Retainers (Sonnax - When Broken Leaks 4th and TCC Oil)	1990-On
---	22521G	1	Steel Governor Valve (Superior) 46/47RH Units Only	1990-95
---	12996G	1	TCC Boost Valve Clip (Often Broken) Superior	1990-On
ELECTRONIC COMPONENTS				
90D	22874	1	3-4 Shift Solenoid 2-Pin Case Connector	1990-94
90D	12874⁸	1	Dual Pack Solenoid 3-Pin Case Connector	1990-95
90D	12874B⁸	1	Dual Pack Solenoid 8-Pin Case Connector w/4-Prong Round Transducer Conn.	1996-00
90D	12874C⁸	1	Dual Pack Solenoid 8-Pin Case Conn. w/4-Prong Rectangular Transducer Conn.	2000-On
			⁸ Includes 3-4 and Lockup Solenoid.	
91D	12878A	1	Trans Pressure Sensor (Includes TOT) 4-Prong Round Connector	1996-00
91D	12878C	1	Trans Pressure Sensor (Includes TOT) . 4-Prong Rectangular Connector	2000-On
92D	12877	1	Governor Pressure Solenoid 2-Prong Connector	1996-On
92D	12877HD	1	Governor Pressure Solenoid Borg Warner Design for Modified/HD Vehicles	1996-On
92D	K12877GM	1	Governor Pressure Solenoid to GM EPC Solenoid Conversion Kit (Aftermarket)	1996-On
---	K12877-2	1	Solenoid Rebuild Kit (Anti-Stick Valve, 10-Minute Install, Enough for 6 Units)	1996-On
93D	K2627B	1	Neutral Safety Switch Kit (w/Seal).....	1969-77
93D	K2627C	1	Neutral Safety Switch Kit (w/Seal)..... 3-Prong Round Connector	1978-98
93D	K2627J	1	Neutral Safety Switch Kit (w/Seal)..... 3-Prong Rectangular Connector	1997-02
93D	2627L	1	Neutral Safety Switch Rod Style, 5-Prong Rectangular Connector	2001-On
---	K12627C	1	Neutral Safety Back-up Insulator Kit (Sonnax, Fits Units w3-Prong NS Switch)	1969-02
---	K12627L	1	Neutral Safety Back-up Insulator Kit (Sonnax, Fits Units wDigital Range Sensor) ...	2001-On
94E	32876	1	Output Speed Sensor.....Units with Electronic Governor Only	1996-On
---	32855VC	1	Speed Sensor Connector Repair End.....	1996-On
---	12859BVC	1	Solenoid Wiring Harness Connector Repair End.....	1996-On
---	12899N	1	Electronic Throttle Valve Actuator (External)	2005-On
HARD PARTS				
Note : When ordering Hard Parts, please add the appropriate suffix : (-R) Reman, (-U) Used, (-A) Aftermarket.				
98A	K22895H	1	Pump Assembly (Large Bore, 11 Lobe Inner Gear, Lock-up)	1994-03
98A	K22895L	1	Pump Assembly (48RE)	2003-On
99A	22812L	1	Pump Stator (48RE)	2003-On
100A	K22965	1	Front Pump Rotor Package	1962-94
100A	K22965H	1	Front Pump Rotor Package (11-Tooth, Larger O.D.)	1994-On
100A	K22965HA	1	Front Pump Rotor Package (11-Tooth, Larger O.D. - Oversized)	1994-On
102A	22803C	1	Direct (High/Reverse) Drum..... 4-Clutch	1971-On
102A	22803L	1	Direct (High/Reverse) Drum (48RE) 5-Clutch	2003-On
106A	22801G	1	Forward Drum w/Input Shaft (w/o Lock-up - w/o Output Shaft Bushing)	1994-01
106A	22801H	1	Forward Drum w/Input Shaft (Lock-up - w/o Output Shaft Bushing)	1994-On
106A	22801HD	1	Forward Drum w/Input Shaft (One-Piece Heavy Duty Design)	1994-On

TF8 / A518 / 46/47 / 48RE

Chrysler TF-8, A518, A618 & 48RE - Cont'd.

ILL. NO.	PART NUMBER	PER CAR	DESCRIPTION	YEARS
HARD PARTS - Cont'd				
Note : When ordering Hard Parts, please add the appropriate suffix : (-R) Reman, (-U) Used, (-A) Aftermarket.				
108B	22637	1	Rear (Forward) Clutch Return Spring . .074" (Wide Notch, Exc 1974-00)	1962-On
108B	22637A	1	Rear (Forward) Clutch Return Spring.....072" (Narrow Notch)	1974-On
109B	22601P	1	Rear (Forward) Clutch Piston Spacer Plastic	1962-On
111B	22833B	1	Front Planetary (4-Pinion Aluminum)	1976-93
111B	22833G	1	Front Planetary (4-Pinion Aluminum - Late Spline)	1994-03
111B	22833H	1	Front Planetary (OEM, 5-Pinion Steel, Requires 22011H and 22700B to Replace 4-Pinion)	1994-03
111B	K22833H	1	Front Planetary (5-Pinion Steel, Will Replace 4-Pinion Aluminum)	1994-03
111B	22833L	1	Front Planetary (6-Pinion Steel - 48RE)	2003-On
112B	22859	1	Front Ring Gear (Exc. 48RE)	1962-03
112B	22859L	1	Front Ring Gear (48RE)	2003-On
113B	22810	1	Sun Gear Shell (3-Tab Washer Style)	1962-03
113B	22810H	1	Sun Gear Shell (6-Tab Washer Style - .175" Thick at Lugs)	1994-03
113B	22810L	1	Sun Gear Shell (6-Tab Washer Style - .240" Thick at Lugs - 48RE)	2003-On
59B	22011H	1	Wear Sleeve/Bushing (For 5-Pinion Steel Planet, .370" Wide)	1994-03
59B	22011L	1	Wear Sleeve/Bushing (For 6-Pinion Steel Planet, .300" Wide - 48RE)	2003-On
114B	22860A	1	Sun Gear (Exc. 48RE)	1962-03
114B	22860L	1	Sun Gear (48RE)	2003-On
115B	22831	1	Rear Planetary (4-Pinion Aluminum)	1965-03
115B	22831L	1	Rear Planetary (6-Pinion Steel - 48RE)	2003-On
116B	22864	1	Rear Ring Gear (Exc. 48RE)	1965-03
116B	22864L	1	Rear Ring Gear (48RE)	2003-On
117B	22800H	1	Reverse Drum w/Lip (6.25" O.D. - 14 Roller Type)	L/91-On
118B	22811	1	Overrun Clutch Inner Race..... Use w/K22960A (12-Roller)	1962-90
118B	22811A	1	Overrun Clutch Inner Race..... Use w/22814R (14-Roller)	1991-On
119B	K22964	1	Overrun Clutch Cam Repair Kit..... w/Special Bolts	1962-91
120C	22837H	1	Intermediate Shaft (Late Splines)	1994-On
125C	22804B	1	Output Shaft Support (6-Bolt Style) TF-8	1990-01
<u>O/D Section:</u>				
---	K12289	1	Snap Ring Kit (Overdrive Section Only)	1990-On
122C	12287	1	O/D Clutch Snap Ring (Waved)	1990-On
123C	12285	1	O/D Clutch Snap Ring (Flat)	1990-On
124C	12286	1	O/D Direct Snap Ring (Front) Commonly Broken	1990-On
125C	22804	1	O/D Piston Retainer (OEM, Bolts to Rear of Case, RH Only, Two Feed Holes)	1990-95
125C	22804A	1	O/D Piston Retainer (OEM, Bolts to Rear of Case, RE Only, No Feed Holes)	1996-On
125C	22804W	1	O/D Piston Retainer (Sonnax O'Ring Style, Bolts to Rear of Case, All Units)	1990-On
125C	22804U	1	O/D Piston Retainer (Universal, Bolts to Rear of Case, All Units)	1990-On
127D	12803	1	Overdrive Direct Clutch Hub.....	1990-On
128D	12778HD	1	Overdrive Clutch Coil Spring (Anti-Fatigue, Exc. 48RE - TransGo)	1990-03
128D	12778L	1	Overdrive Clutch Coil Spring..... 48RE	2003-On
129D	12865	1	O/D Sun Gear (Early Design 22.5-Degree Tooth Pitch) ..	1990-93
129D	12865H	1	O/D Sun Gear (Late Design 15-Degree Tooth Pitch)	1994-On
130D	12834	1	O/D Planetary (Early Design 22.5-Degree Tooth Pitch) ..	1990-93
130D	12834G	1	O/D Planetary (Late Design 15-Degree Tooth Pitch, 4-Pinion)	1994-03
130D	12834H	1	O/D Planetary (Late Design 15-Degree Tooth Pitch, 5-Pinion)	1994-03
130D	12834L	1	O/D Planetary (15-Degree Tooth Pitch, 6-Pinion) 48RE	2003-On
131D	12811G	1	O/D Clutch Race (Inner)	1990-On

Chrysler TF-8, A518, A618 & 48RE - Cont'd.

ILL. NO.	PART NUMBER	PER CAR	DESCRIPTION	YEARS
HARD PARTS - Cont'd.				
Note : When ordering Hard Parts, please add the appropriate suffix : (-R) Reman, (-U) Used, (-A) Aftermarket.				
132D	12864	1	O/D Annulus (Ring) Gear (Early Design 22.5-Degree Tooth Pitch)	1990-93
132D	12864H	1	O/D Annulus (Ring) Gear (Late Design 15-Degree Tooth Pitch)	1994-03
132D	12864L	1	O/D Annulus (Ring) Gear (15-Degree Tooth Pitch) ... 48RE	2003-On
---	K12835G⁹	1	O/D Geartrain Kit (Late Design 15-Degree Tooth Pitch, 4-Pinion)	1990-03
---	K12835H⁹	1	O/D Geartrain Kit (Late Design 15-Degree Tooth Pitch, 5-Pinion)	1990-03
---	K12835L⁹	1	O/D Geartrain Kit (15-Degree Tooth Pitch, 6- Pinion - 48RE)	2003-On
⁹ Kit includes illustration numbers 129D, 130D, and 132D. This kit will retrofit all units.				
134D	12806G	1	O/D Direct Clutch Drum (2 I.D. Grooves, 8-10 Frictions) 1990-On	
MISCELLANEOUS				
---	K12954	1	Cooler Line Adapter Kit (Sonnax, w/1/4" Pipe Fittings Only, Salvages Damaged Case)	1962-93
139D	12954H	2	Cooler Line Fittings (Quick Connect with 3/8" lines)	1994-03
139D	12954G	2	Cooler Line Fittings (Quick Connect with 1/2" lines)	1994-On
139D	12954GA	2	Cooler Line Fittings (Flared 1/2" lines)	1995-On
---	K12955G	1	Cooler Line Clip Kit (Superior, For Quick Connect with 1/2" lines)	1994-On
140D	ST22826HD	1	Front (Intermediate) Servo Piston (Superior Super Servo - 11% More Holding Power)	1962-On
141E	22718HD	1	Front (Intermediate) Band Strut (Heavy Duty -Adjuster Side/Short - Power Wedge)	1962-On
142E	22717HD	1	Front (Intermediate) Band Strut (Heavy Duty - Servo Side/Long)	1962-On
143D	K12782W	1	Intermediate Accumulator Repair Kit (Sonnax, Metal Piston and Two Sleeves)	1962-On
143D	12782HD	1	Intermediate Accumulator Pistont (Sonnax, Dual Seal Replace Plastic OE)	1962-On
144D	22828	1	Reverse Servo Piston (Sonnax - Aluminum, 46RE/RH)	1962-03
144D	22828HD	1	Reverse Servo Piston (Superior - Steel, Except Double Wrap Band, Won't Cock in Bore)	1962-03
144D	22828H	1	Reverse Servo Piston (Sonnax - Aluminum, 47RH/RE w/Double Wrap Band)	1994-96
144D	22828L	1	Reverse Servo Piston (Sonnax - Aluminum, 47/48RE w/2.47 O.D.)	1997-On
144D	ST22828L	1	Reverse Servo Piston (Superior w/Piston Plug/Pin, 47/48RE w/2.47 O.D.)	1997-On
145D	22716W	1	Reverse Servo Piston Plug/Pin (Sonnax)	1962-On
---	22717WA	1	Reverse Servo Strut (.100" Longer, Use with Machined or Undersized Drums)	1962-On
---	22717W	1	Reverse Servo Strut (.150" Longer, Use with Machined or Undersized Drums)	1962-On
---	22995G	1	Separator Plate (w/o Lock-up Boost Tube, Except TF-8)	1990-97
---	22995H	1	Separator Plate (w/Lock-up Boost Tube, Exc. TF-8 & 48RE)	1993-03
---	22995L	1	Separator Plate (48RE)	2003-On
149D	K22884	1	Oil Pan (Aftermarket Deep Type)	1962-On
VALVE BODIES				
150D	10-116	1	Valve Body (Reman) Non-Lockup, 1 Solenoid	1990-94
150D	10-119	1	Valve Body (Reman) 2-Solenoid, Hydraulic with Tube	1990-95
150D	10-120	1	Valve Body (Reman) 8-Pin with Round Transducer, Small Pump Inlet	1996-00
150D	10-122	1	Valve Body (Reman) 8-Pin with Rectangular Transducer, Small Pump Inlet	2000-02
150D	10-123	1	Valve Body (Reman) 8-Pin with Rectangular Transducer, Small Pump Inlet (Diesel)	2000-02
150D	10-124	1	Valve Body (Reman) 8-Pin with Rectangular Transducer, Late Neutral Switch	2001-03
150D	10-125	1	Valve Body (Reman) 48RE w/TV Cable	2003-04
150D	10-125HD	1	Valve Body (Reman) 48RE w/TV Cable (High Performance)	2003-04
150D	10-125A	1	Valve Body (Reman) 48RE w/Electronic Throttle Acuator	2005-On
150D	10-125AHD	1	Valve Body (Reman) 48RE w/Electronic Throttle Acuator (High Performance)	2005-On
FLEX PLATES				
---	12611	1	Flex Plate 11" with Uneven Crankshaft Bolt Holes	1962-On
---	12611A	1	Flex Plate 11" with Even Crankshaft Bolt Holes	1962-On
---	22611	1	Flex Plate 12" with Uneven Crankshaft Bolt Holes	1962-On
---	22611A	1	Flex Plate 12" with Even Crankshaft Bolt Holes	1962-On

TF8 / A518 / 46/47 / 48RE