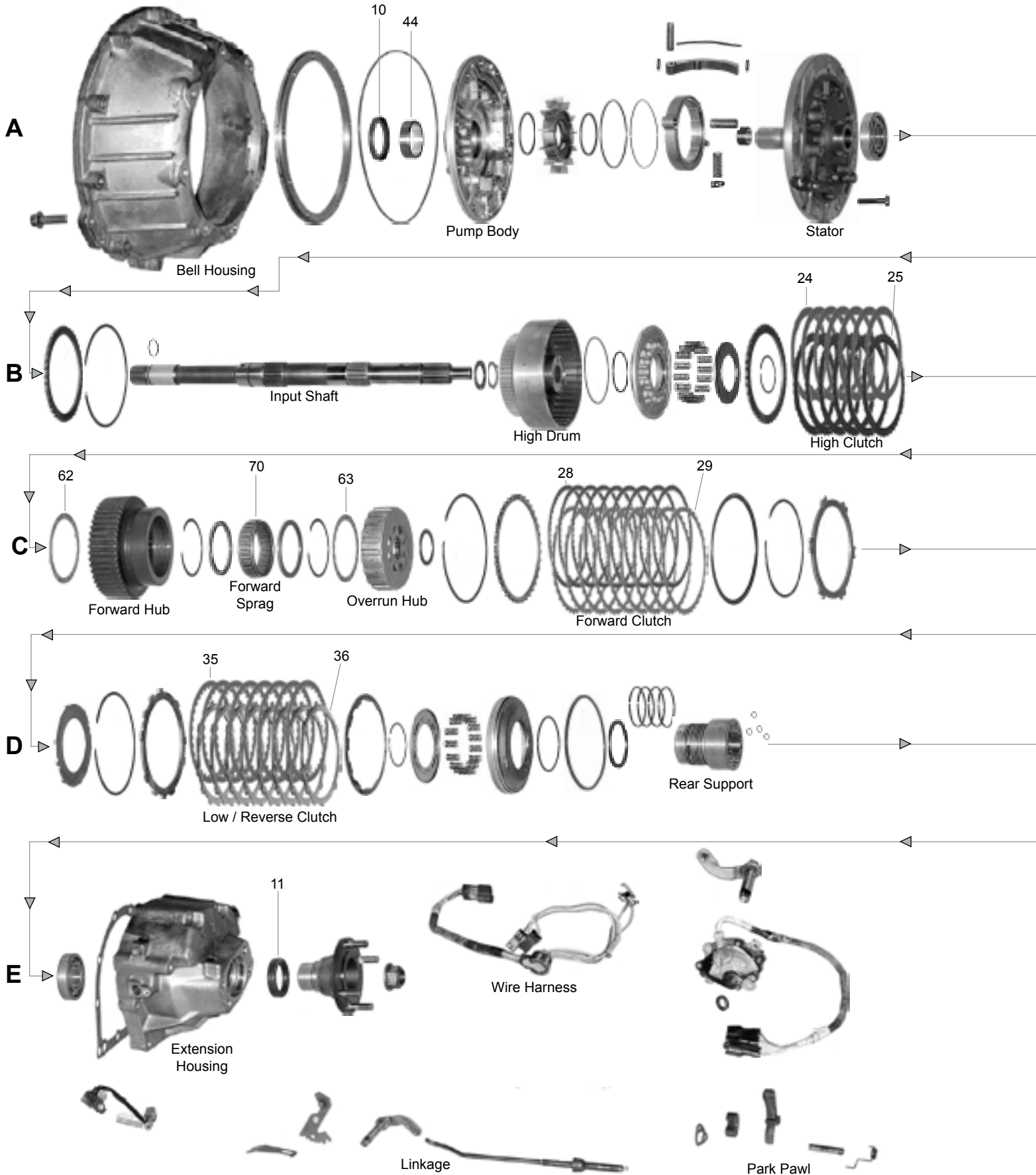
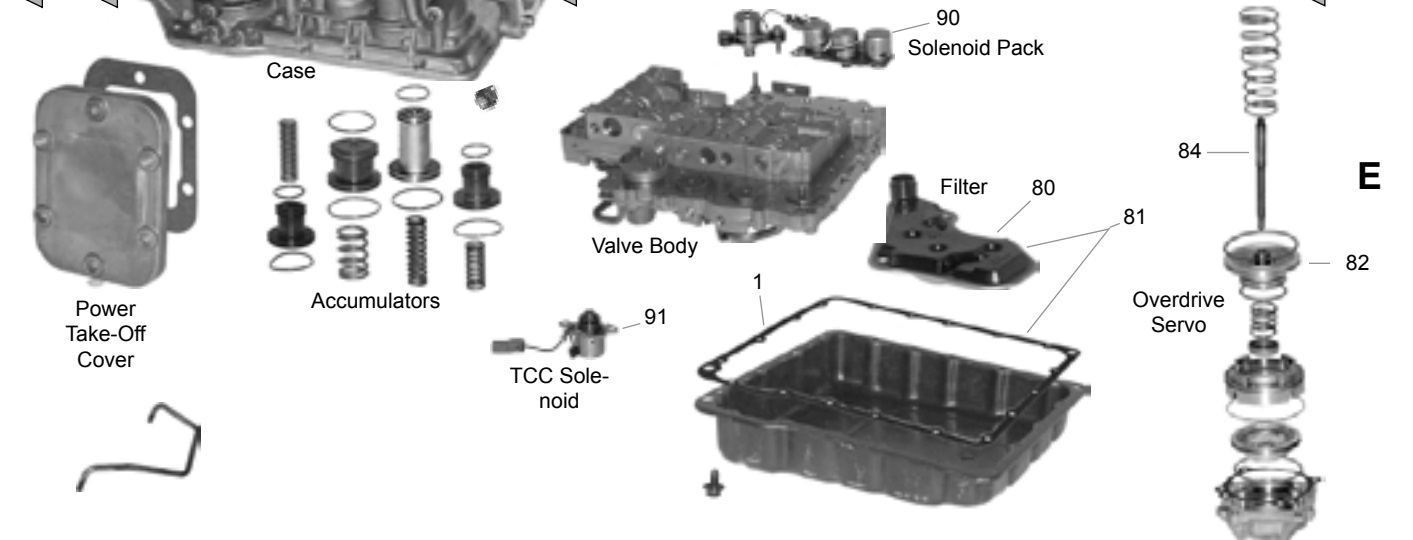
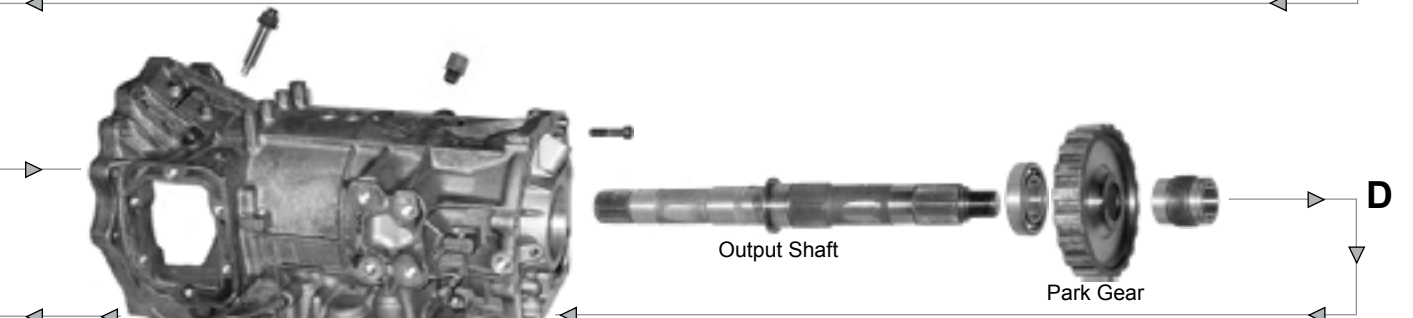
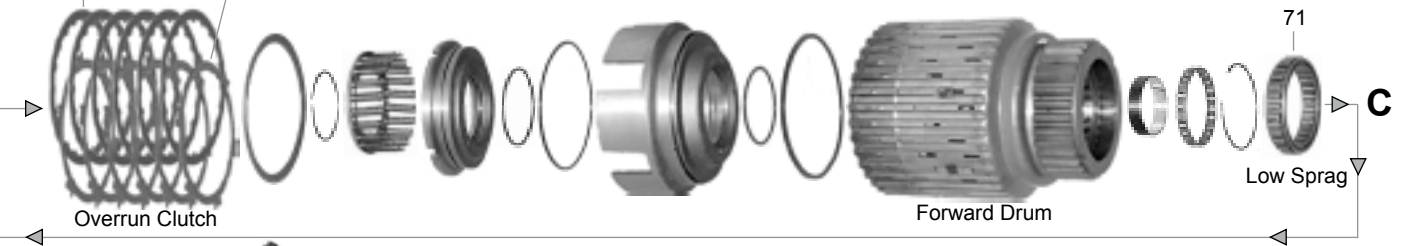
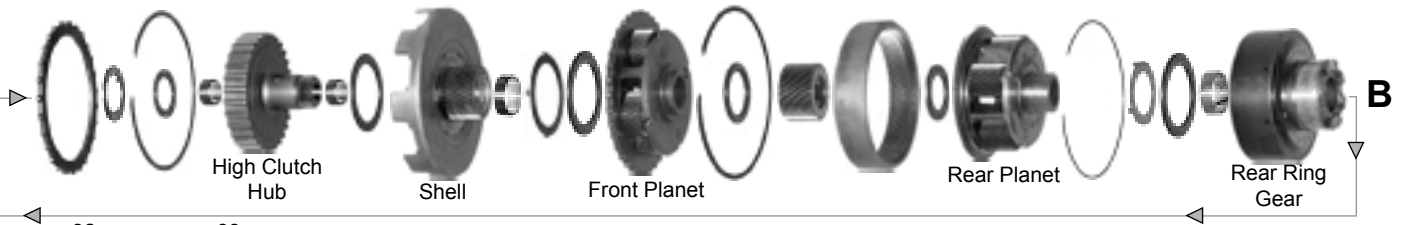
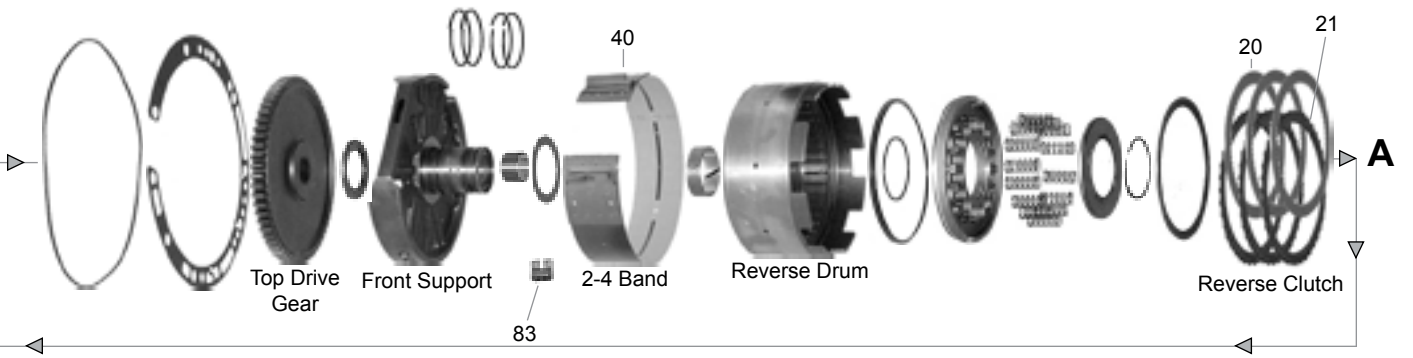


Nissan RE4-R03A / RG4-R01A / JR403E

RWD 4 Speed

(JR403E Truck Unit Pictured)





Nissan RE4-R03A & RG4-R01A / JATCO JR403E

VEHICLE MODEL	YEARS	ENGINE	TRANS. TYPE
INFINITI:			
Q45	1990-02	V8	RE4-R03A
NISSAN:			
300ZX Turbo	1990-96	Turbo	RE4-R03A
2 TON TRUCKS:			
Isuzu, Mitsubishi, Nissan & Some GM	1988-98	All	RG4-R01A / JR403E
ILL. NO.	PART NUMBER	PER CAR DESCRIPTION	YEARS
---	TMJR403E	Technical Manual	1988-02
MASTER BOX KITS			
---	K9200-S	Master Kit (w/o Steels)	Nissan 300ZX Turbo
---	K9200A-S	Master Kit (w/o Steels)	Trucks
---	K9200B-S	Master Kit (w/o Steels)	Infiniti Q45
---	K9200-S	Master Kit (w/o Steels)	Infiniti Q45
Steel Plate Sub-Kits:			
---	K9200-9	Steel Plate Kit	Nissan 300ZX Turbo
---	K9200A-9	Steel Plate Kit	Trucks
---	K9200A-9A	Steel Plate Kit	Trucks
---	K9200B-9	Steel Plate Kit	Infiniti Q45
---	K9200-9	Steel Plate Kit	Infiniti Q45
OVERHAUL KITS, GASKET SETS AND SEAL KITS			
---	K92900	Overhaul Kit	RE4-R03A
---	K92900A	Overhaul Kit	RG4-R01A / JR403E
GASKET AND RUBBER COMPONENTS			
1E	92170	1 Oil Pan Gasket	Duraprene
METAL CLAD SEALS			
10A	75526	1 Front Pump	1988-02
---	85507	1 Manual Lever	All
11E	92551	1 Extension Housing	RE4-R03A
11E	92551A	1 Extension Housing	RG4-R01A / JR403E w/o Brake
11E	92551T	1 Extension Housing	RG4-R01A w/Brake
---	85551	1 Adapter Housing	4WD
SEALING RINGS			
---	K92901	1 Sealing Ring Kit	1988-02
CLUTCH PLATES			
20A	92306	3 Reverse Friction	64T, .075" - 6.140" O.D.
21A	92303	3 Reverse Steel	40T, .079" - 5.200" I.D.
24B	92302	6-7 High Friction	64T, .062" - 6.140" O.D.
25B	92303	6-7 High Steel	40T, .079" - 5.200" I.D.
25B	92303A	6-7 High Steel	40T, .118" - 5.200" I.D.
28C	92304	7-9 Forward Friction	50T, .079" - 6.610" O.D.
29C	92305	7-14 Forward Steel	36T, .079" - 6.106" I.D.

Nissan RE4-R03A & RG4-R01A / JATCO JR403E

ILL. NO.	PART NUMBER	PER CAR	DESCRIPTION	YEARS
CLUTCH PLATES - Cont'd.				
32C	92308	4-5	Overrun Friction 20T, .062" - 6.085" O.D.	1990-02
32C	92308A	5	Overrun Friction 20T, .079" - 6.085" O.D.	1988-02
33C	92309	5-7	Overrun Steel 6 or 12 Teeth, .079" - 5.380" I.D.	1988-02
35D	92321	6-8	Low/Reverse Friction 33T, .064" - 6.140" O.D.	1988-02
36D	92322	6-8	Low/Reverse Steel 11T, .079" - 5.480" I.D.	1988-02
BANDS				
40A	92714A	1	2-4 Brake Band All	1988-02
BUSHINGS				
---	K92980	1	Bushing Assortment Kit	1988-02
44A	75005	1	Pump	1988-02
---	92007Y	1	Case (" One Piece ") Aftermarket Upgrade	1988-02
THRUST WASHERS AND BEARINGS				
---	K92941	1	Thrust Bearing Kit (Planetary Section) RE4-R03A	1990-02
---	K92941A	1	Thrust Bearing Kit (Planetary Section) RG4-R01A / JR403E	1988-98
62C	92406	1	Rear Ring Gear to Outer Race Thrust Washer Plastic	1988-02
63C	92406	1	Outer Race to Overrun Cl. Hub Thrust Washer Plastic	1988-02
SPRAGS				
70C	92814	1	Forward Sprag	1988-02
71C	92813	1	Low Sprag	1988-02
TRANSMISSION OIL FILTERS				
80E	92600	1	Oil Filter (w/Flat Inlet) RE4-R03A	1990-02
81E	ATK-120	1	Oil Filter Kit RE4-R03A	1990-02
80E	85600A	1	Oil Filter (1" Inlet / Plastic) RG4-R01A / JR403E	1988-98
81E	ATK-141	1	Oil Filter Kit RG4-R01A / JR403E	1988-98
SHIFT ENHANCEMENTS				
---	K85944 ¹	1	Shift Kit TransGo	1988-02
¹ Addresses: Planetary Failure (Burn-Up), 3rd Clutch Failure, Forward Clutch Burn-Up, Soft 1-2 Shift, Band Burn-Up and Low Lube Flow.				
---	ST92944A	1	Shift Correction Package (JR403E) Superior	1988-02
82E	K92826HD	1	O/D Servo Piston Kit (JR403E) Sonnax	1988-02
Note: Commonly Broken, this piston is a direct replacement for the 88mm piston and can be used as an upgrade for the 75mm one, if you get the matching cover.				
83A	85717HD ²	1	Band Strut (Sonnax, Higher Quality than OE)	1990-02
84E	K85734 ²	1	Servo Pin w/O'Ring (Sonnax, Reduces 2-3 Bind-Up and High Clutch Failure)	1990-02
² Fits RE4R03A Only.				
ELECTRONIC COMPONENTS				
90E	85879 ³	1	Solenoid Pack	1988-02
³ Includes EPC, Overrun, and Both Shift Solenoids.				
91E	85870	1	TCC Solenoid	1988-02

Nissan RE4-R03A, RG4-R01A