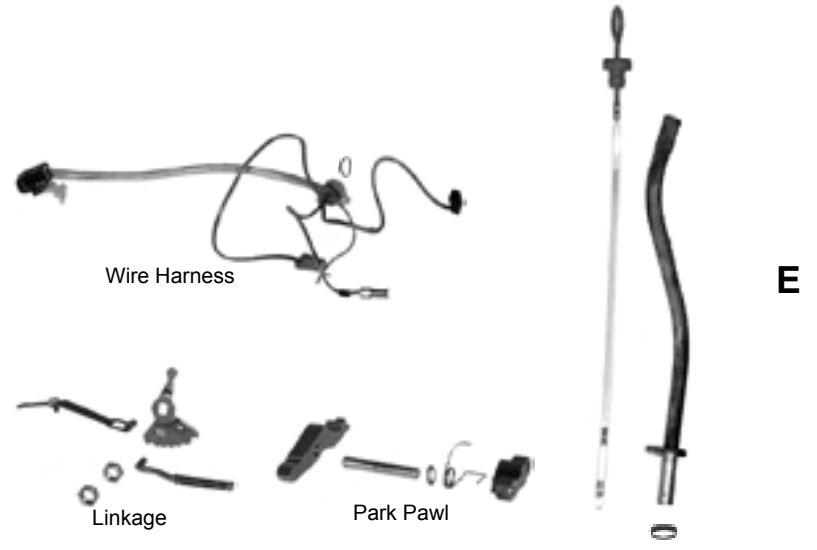
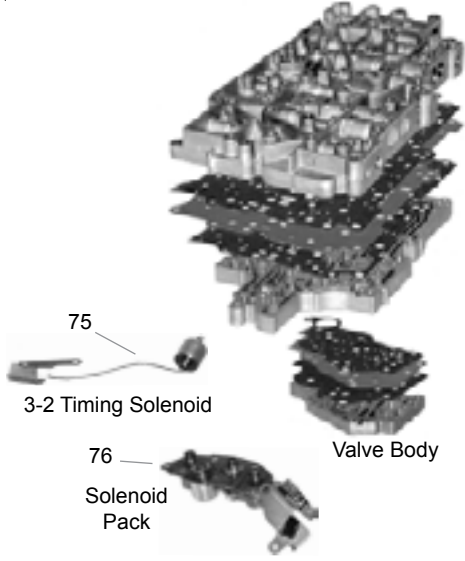
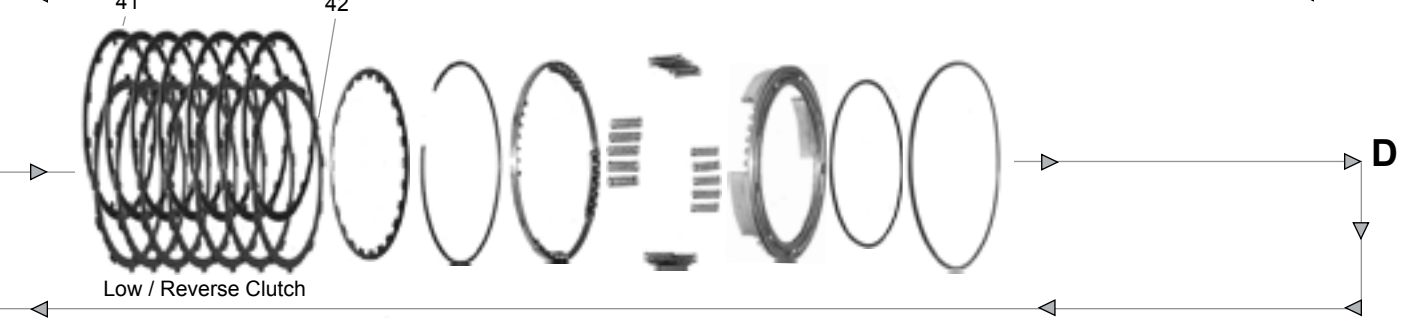
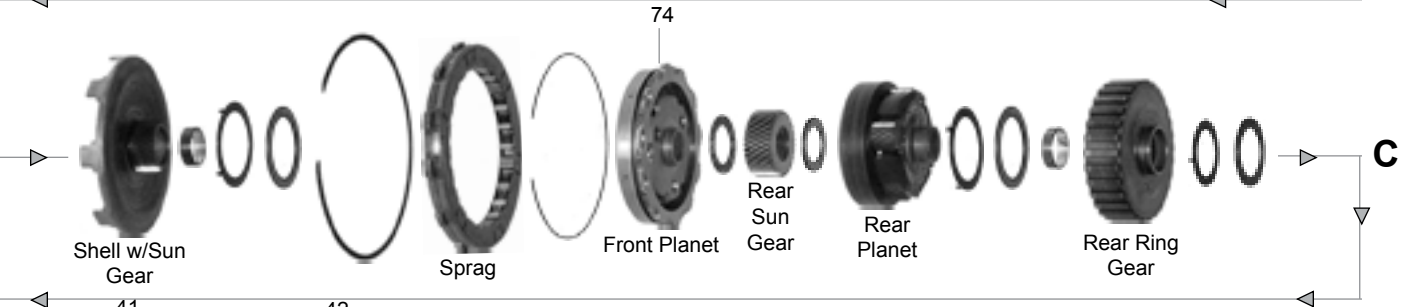
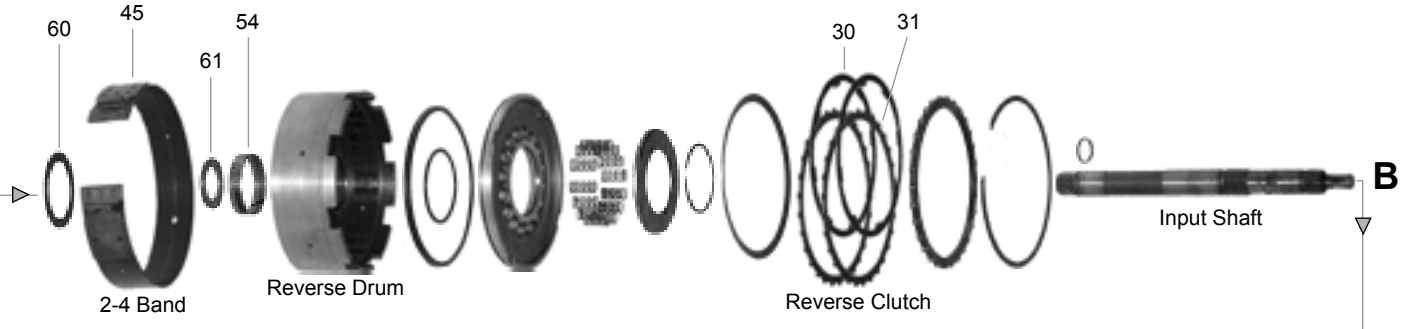


A



Nissan RL4-F02A & RE4-F02A/V (FWD 4-Speed)

VEHICLE MODEL	YEARS	ENGINE	TRANS. TYPE		
NISSAN:					
Axxess	1990	All	RL4-F02A		
Maxima	1985-88	All	RL4-F02A		
	1989-94	SOHC	RE4-F02A		
Pulsar	1988-90	All	RL4-F02A		
Stanza	1985-89	All	RL4-F02A		
Wagon	1985-88	All	RL4-F02A		
Stanza	1990-92	All	RE4-F02A/V		
ILL. NO.	PART NUMBER	PER CAR	DESCRIPTION	YEARS	
REBUILDER BOX KITS					
---	K7500-S ¹		Master Kit (w/o Steels)	Maxima	1985-88
---	K7500C-S		Master Kit (w/o Steels)	Maxima	1989-94
---	K7500A-S ^{1,2}		Master Kit (w/o Steels)	Stanza/Stanza Wagon	1985-89
---	K7500G-S ²		Master Kit (w/o Steels)	Axxess/Stanza	1990-92
---	K7500P-S		Master Kit (w/o Steels)	Pulsar	1988-90
Steel Plate Sub-Kit:					
---	K7500-9		Steel Plate Kit	Maxima	1985-88
---	K7500C-9		Steel Plate Kit	Maxima	1989-94
---	K7500A-9		Steel Plate Kit	Stanza/Stanza Wagon	1985-89
---	K7500G-9		Steel Plate Kit	Axxess/Stanza	1990-92
---	K7500P-9		Steel Plate Kit	Pulsar	1988-90
¹ All 1985 Stanzas and Maximas produced from 7/84 to 8/84 contained early style High Clutch Frictions with square teeth. Nissan recommends updating early High Clutch Hubs to the late style which accept tapered teeth frictions. NATPRO only stocks the late style High Clutch Frictions with tapered teeth.					
² There are numerous axle seals for 4WD applications, please order separately from the dealer.					
OVERHAUL KIT, GASKET SETS, SEAL KITS, RING KIT AND PAN GASKETS					
---	K75900 ²		Overhaul Kit (w/o Clutches)	Hydraulic	1985-90
---	K75900E ²		Overhaul Kit (w/o Clutches)	Electronic	1989-94
---	K75900E-1		Gasket and Rubber Kit	Electronic	1989-94
1B, E	K75900-6		Case and Cover Gasket Kit		1985-94
---	K75901	1	Sealing Ring Kit		1985-94
2E	75170	1	Control Cover Gasket	Duraprene	1985-94
METAL CLAD SEALS					
10B	75526	1	Converter Housing		1985-94
11A	75551	1	Right Axle (33x59x11mm)		1985-94
12A	75551B	1	Left Axle (39x57x11mm)	Maxima	1985-94
12A	75551C	1	Left Axle (39x57x15.50mm)	Stanza/Pulsar	1985-92
12A	75551D	1	Left Axle (46x90x11mm)	Stanza w/RE4-F02V w/Viscous Differential	1990-92
CLUTCH PLATES					
30B	75321	2	Reverse Friction	8 Square Teeth, .079"	1985-94
30B	75321P	2	Reverse Friction	34T, .076"	1987-94
31B	75322	2	Reverse Steel	30 "V" Shaped Teeth, .079"	1985-94
31B	75322A	2	Reverse Steel	30 Square Teeth, .079"	1985-94
34C	75304	3-4	High Friction	30T, .064" - 5.050" O.D.	1985-94
34C	75304A	3	High Friction	30T, .079" - 5.050" O.D.	1985-94
34C	75304P	4	High Friction	30T, .064" - 5.200" O.D.	1988-94
35C	75305	7	High Steel	24T, .067" - 4.431" I.D.	1985-94

Nissan RL4-F02A & RE4-F02A/V (FWD 4-Speed)

ILL. NO.	PART NUMBER	PER CAR	DESCRIPTION	YEARS
CLUTCH PLATES - Cont'd.				
35C	75305A	1-6	High Steel 24T, .079" - 4.431" I.D.	1985-94
35C	75305C	7	High Steel 24T, .055" - 4.431" I.D.	1989-94
35C	75305Z	1	High Steel 24T, .118" - 4.431" I.D.	1988-94
35C	85303	1	High Steel 27T, .067" - 4.420" I.D.	1990-94
35C	75305P	3	High Steel 27T, .118" - 4.420" I.D.	1988-94
35C	75305Q	1	High Steel 27T, .079" - 4.420" I.D.	1988-94
35C	75305V	3	High Steel 27T, .095" - 4.420" I.D.	1990-94
39D	75308	4-6	Low (Forward) Friction 30 Square Teeth, .079" - 5.675" O.D.	1985-94
40D	75309	5-7	Low (Forward) Steel 12 Square Teeth, .079" - 4.854" I.D.	1985-94
41D	75310	5-7	Low/Reverse Friction 12T, .079" - 7.170" O.D.	1985-94
42D	75311	5-7	Low/Reverse Steel 12T, .079" - 6.526" I.D.	1985-94
BANDS				
45B	75714	1	2-4 Brake Band	1985-94
BUSHINGS				
---	K75980	1	Bushing Assortment Kit	1985-94
50B	75005	1	Converter Housing	1985-94
51B	75011	1	Stator Support (Front) Maxima Only 1.044" O.D.	1985-94
52B	75002	1	Stator Support (Center)	1985-94
53B	75001	1	Stator Support (Rear)	1985-94
54B	75003	1	Reverse Clutch Drum	1985-94
55C	75014	2	High Clutch Hub	1985-94
58D	75004	1	Low Clutch Drum	1985-94
THRUST WASHERS AND BEARINGS				
---	K75941	1	Thrust Bearing Assortment Kit (Planetary Section)	1985-94
60B	75400 Series		Pump to Reverse Drum Selective Washers:	1985-94
			75400A: .035" 75400B: .043" 75400C: .051" 75400D: .058" 75400E: .067" 75400F: .075"	
61B	75421 Series		Stator Support to High Clutch Selective Races:	1985-94
			75421A: .039" 75421B: .047" 75421C: .055" 75421D: .063" 75421E: .071" 75421F: .079"	
TRANSMISSION OIL FILTERS				
70B	75600 ⁴	1	Oil Filter (w/Baffle) Disassembly Required	1985-94
			⁴ Please See Filter Pictures on Page 10.4-6 for Visual Identification.	
SHIFT ENHANCEMENTS AND MISCELLANEOUS				
---	K75944 ⁵	1	Shift Kit TransGo	1985-94
			⁵ Addresses: Delayed Forward Engagement, Falls Out of Gear at a Stop, No 3rd After a 3-2 or 4-2 Kickdown, Soft 1-2 and 2-3, Burned-Up 3-4 Clutch and Direct Clutch Inner Seal Leakage.	
---	75889C ⁶	1	Pressure Regulator Boost Sleeve RE4-F02A	1989-94
			⁶ Addresses Poor Line Rise and Erratic Shifts.	
---	85125	AR	Valve Body Bore Plug Aluminum - 14mm O.D.	1985-94
74C	75833C	1	Front Planetary (OEM) RE4-F02A	1989-94
ELECTRONIC COMPONENTS				
---	75870	1	Lock-Up Solenoid RL4-F02A	1985-90
---	75871	1	O/D Cancel Solenoid RL4-F02A	1985-90
75E	75874	1	3-2 Timing Solenoid RE4-F02A	1989-94
76E	75879	1	Solenoid Pack RE4-F02A	1989-94

Nissan RE/RL4-F02A