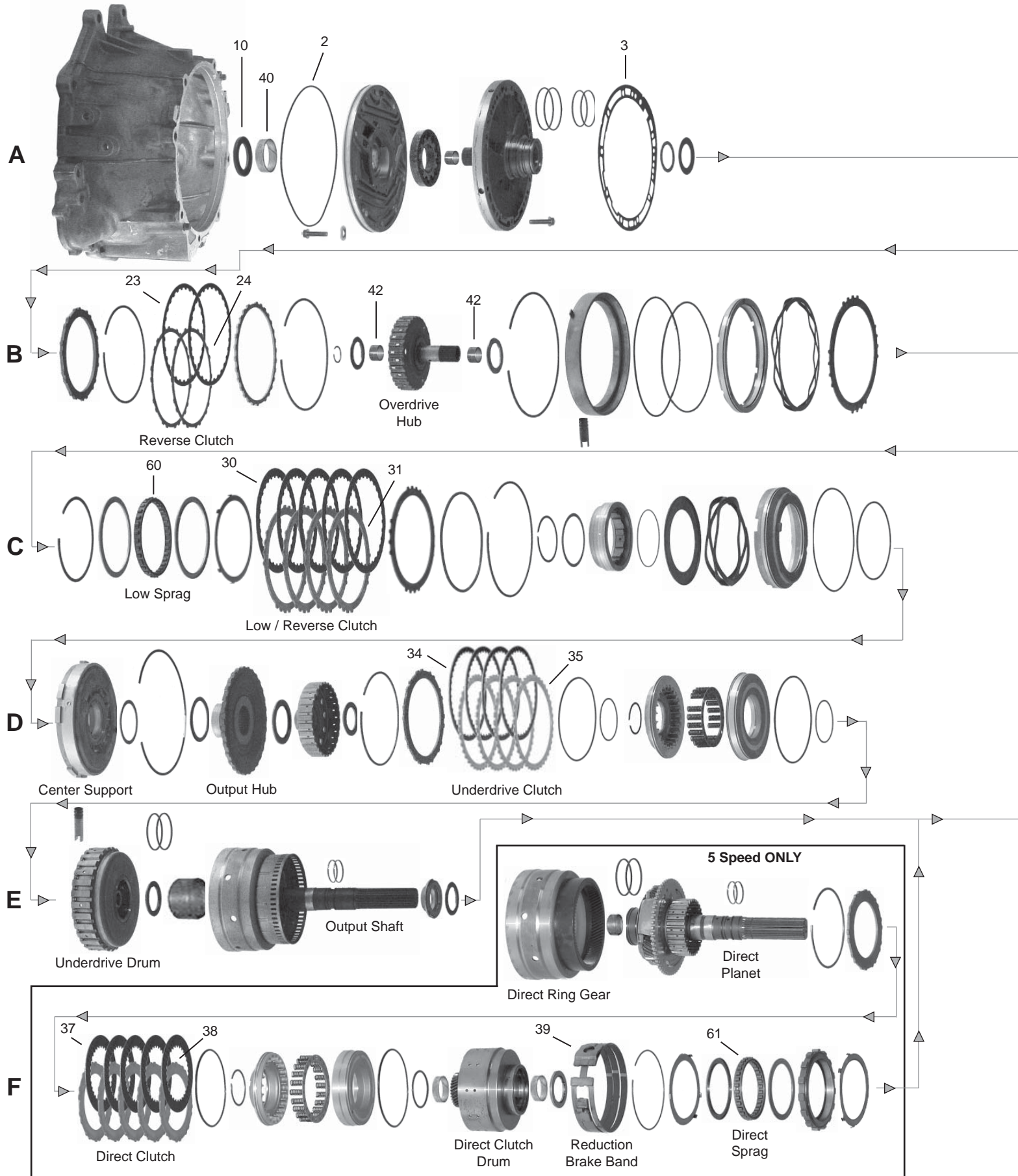
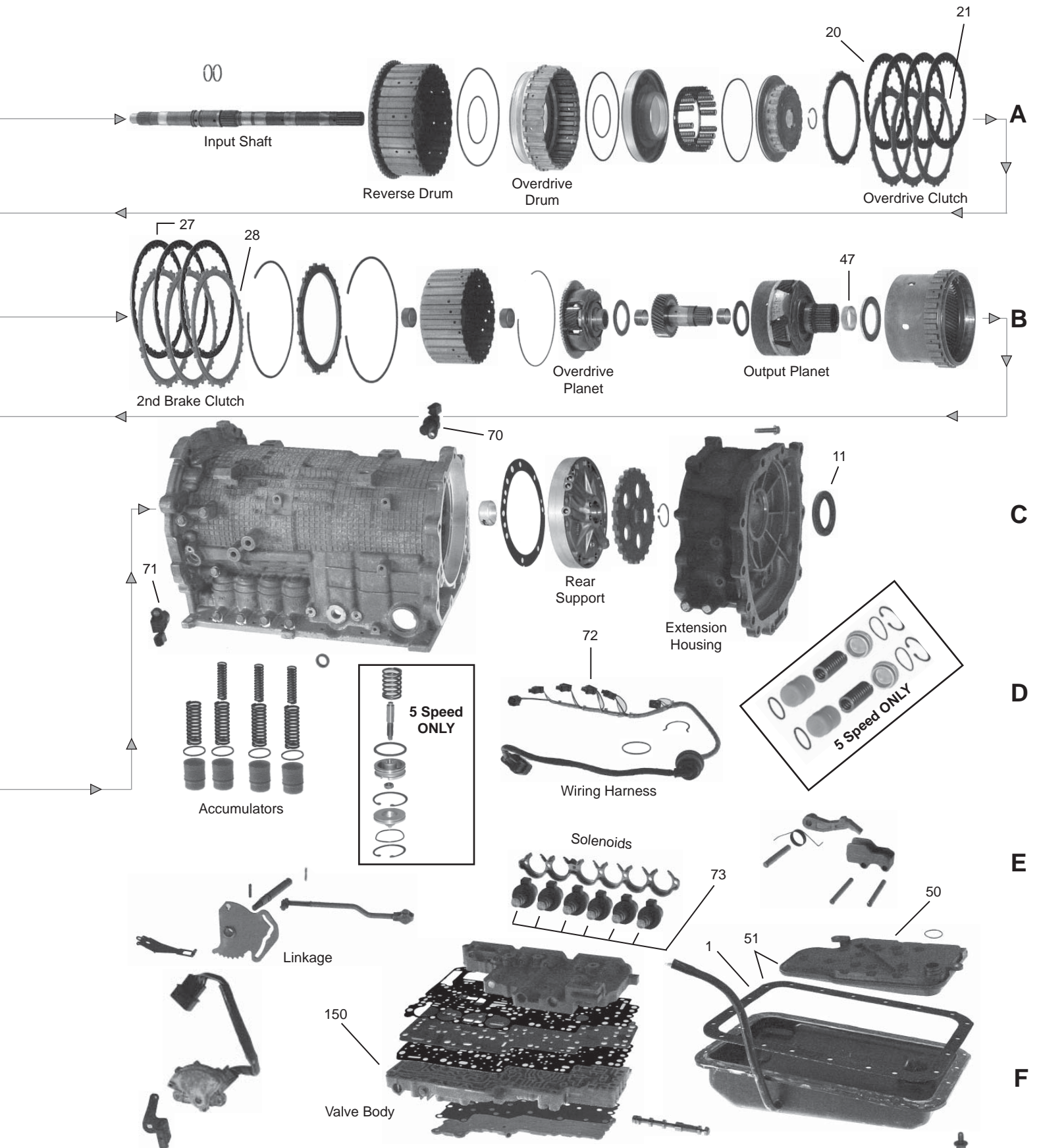


R4A51 / V4A51 / R5A51 / V5A51

RWD 4 & 5 Speed





Mitsubishi R/V4A51, R/V5A51 (RWD 4 & 5-Speed)

ILL. NO.	PART NUMBER	PER CAR	DESCRIPTION	YEARS
---	TMR4A51		Technical Manual	1999-On
REBUILDER BOX KITS				
---	K9400C-S		Master Kit (w/o Steels) R/V4A51 (4-Speed)	1999-On
---	K9400D-S		Master Kit (w/o Steels) R/V5A51 (5-Speed)	2001-On
Steel Plate Sub-Kits:				
---	K9400C-9		Steel Plate Kit R/V4A51 (4-Speed)	1999-On
---	K9400D-9		Steel Plate Kit R/V5A51 (5-Speed)	2001-On
OVERHAUL KITS				
---	K94900C		Overhaul Kit	1999-On
---	K94900C-3		Valve Body Gasket Set	1999-On
GASKET AND RUBBER COMPONENTS				
1F	94170C	1	Pan Gasket	1999-On
2A	94100C	1	Pump O'Ring	1999-On
3A	94101C	1	Pump Gasket	1999-On
METAL CLAD SEALS				
10A	70526	1	Front Pump	1999-On
11C	67551M	1	Extension Housing 2WD	1999-On
11C	67553M	1	Adapter Housing 4WD	1999-On
SEALING RINGS				
---	K94901C	1	Sealing Ring Kit	1999-On
CLUTCH PLATES				
20A	94310A	4-5	Overdrive Clutch Friction (6 Waves) 30T, .065" - 5.82" O.D.	1999-On
21A	94311A	4-5	Overdrive Clutch Steel 20T, .099" - 4.85" I.D.	1999-On
23B	94302A	2	Reverse Input Clutch Friction 30T, .067" - 6.53" O.D.	1999-On
24B	94303A	2	Reverse Input Clutch Steel 16T, .071" - 6.00" I.D.	1999-On
27B	94306A	3-4	2nd Clutch Friction (Wide Lining) 30T, .065" - 7.03" O.D.	1999-On
28B	94307A	2-3	2nd Clutch Steel 16T, .099" - 6.00" I.D.	1999-On
28B	94307C	2	2nd Clutch Steel 16T, .150" - 6.00" I.D.	1999-On
30C	94321A	5-6	Low/Reverse Clutch Friction 30T, .065" - 7.03" O.D.	1999-On
31C	94322A	5-6	Low/Reverse Clutch Steel 16T, .039" - 6.29" I.D.	1999-On
34D	94304A	4	Underdrive Clutch Friction 30T, .065" - 5.82" O.D.	1999-On
35D	94305A	4	Underdrive Clutch Steel 20T, .071" - 4.85" I.D.	1999-On
35D	94305C	1	Underdrive Clutch Steel 20T, .157" - 4.85" I.D.	1999-On
37F	94308F	3-5	Direct Clutch Friction 30T, .067" - 4.80" O.D.	2001-On
38F	94309F	3-4	Direct Clutch Steel 20T, .099" - 3.47" O.D.	2001-On
BANDS				
39F	94714D	1	Reduction Brake Band	2001-On
BUSHINGS				
---	K94980C	1	Bushing Assortment Kit	1999-On
40A	94005C	1	Pump	1999-On

Mitsubishi R/V4A51, R/V5A51 (RWD 4 & 5-Speed)

Mitsubishi R4/5A51

ILL. NO.	PART NUMBER	PER CAR	DESCRIPTION	YEARS
BUSHINGS - Cont'd.				
42B	70016L	2	O/D Hub	1999-On
47B	70009L	1	Rear Planetary	1999-On
TRANSMISSION OIL FILTERS				
50E	94600C ¹	1	Oil Filter Flat Inlet	1999-On
50E	94600D ¹	1	Oil Filter500" Inlet	1999-On
51E	ATK-226	1	Oil Filter Kit Flat Inlet	1999-On
51E	ATK-244	1	Oil Filter Kit500" Inlet	1999-On
¹ Please See Filter Pictures on Page 9.1-6 for Visual Identification.				
SPRAGS				
60C	94813A	1	Low Sprag	1999-On
61F	93814D	1	Direct Sprag w/Races R5A51 (5-Speed)	2001-On
SHIFT ENHACEMENTS				
---	K94889	1-2	Pressure Control Valve and Sleeve (No Orifice) . Sonnax	1999-On
---	K94889A	1-2	Pressure Control Valve and Sleeve (w/Orifice)... Sonnax	1999-On
Addresses: Flared Shifts, Shuttle Shifting, Delayed Engagements and Burned Clutches. Note: Valve Diameters Need to Match Your Original Valves. See Sonnax Info.				
---	94989	1	Oversized Pressure Regulator Valve Sonnax	1999-On
Addresses: Low/High Line Pressure, Soft/Harsh Shifts, Low Converter Pressure. Use with K94589 Tool Kit.				
---	K94887	1	TCC Control Valve and Sleeve Kit Sonnax	1999-On
Addresses: Converter Apply and Release Issues, Excessive Slip RPM and TCC Cycling. Note: Valve Diameters Need to Match Your Original Valves. See Sonnax Info.				
---	94780	1-4	Accumulator Piston with Dual Seals Sonnax	1999-On
Addresses: Worn Accumulator Bores, Delayed/Shuddering Engagements & Soft Shifts.				
ELECTRONIC COMPONENTS				
70C	94876B	1	Output Speed Sensor (TOSS) R4A41/R5A51	1999-5/01
70C	94876C	1	Output Speed Sensor (TOSS) R4A41/R5A51	6/01-On
70C	94876CA	1	Output Speed Sensor (TOSS) V4A51	1999-5/01
70C	94876D	1	Output Speed Sensor (TOSS) V5A51	6/01-On
71C	94875	1	Input Speed Sensor (TISS)	1999-On
72D	94869C	1	Internal Wiring Harness (R4A) w/o Temp Sensor	1999-01
72D	94869CA	1	Internal Wiring Harness (R4A) w/Integral Temp Sensor	2001-On
72D	94869D	1	Internal Wiring Harness (R5A) w/o Temp Sensor	2001
72D	94869DA	1	Internal Wiring Harness (R5A) w/Integral Temp Sensor	2001-On
73E	94871	5-6	Clutch Pack Solenoid 1 Per Clutch Pack	1999-On
---	94878T	1	Transmission Oil Temperature Sensor	1999-01
HARD PARTS				
Note : When ordering Hard Parts, please add the appropriate suffix : (-R) Reman, (-U) Used, (-A) Aftermarket.				
100A	K94895C	1	Pump Assembly All	1999-On
115B	K94835C	1	Geartrain Assembly R/V4A51 (4-Speed)	1999-On
115B	K94835D	1	Geartrain Assembly R/V5A51 (5-Speed)	2001-On
141E	K94834D	1	Direct Geartrain Assembly R/V4A51 (5-Speed)	2001-On
150F	40-107	1	Reman Valve Body 5-Solenoid Units	1999-02
150F	40-108	1	Reman Valve Body 6-Solenoid Units	2001-On