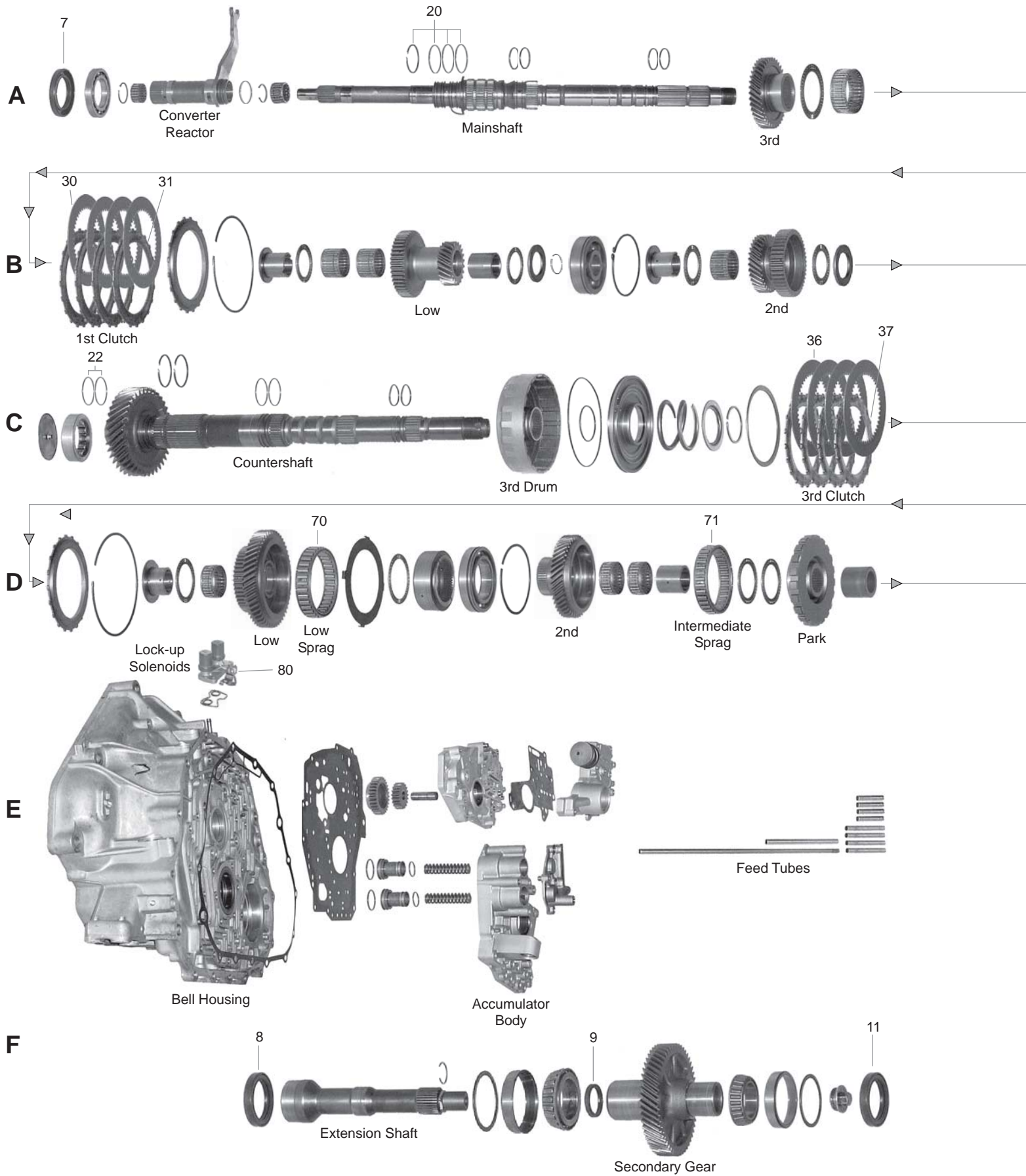
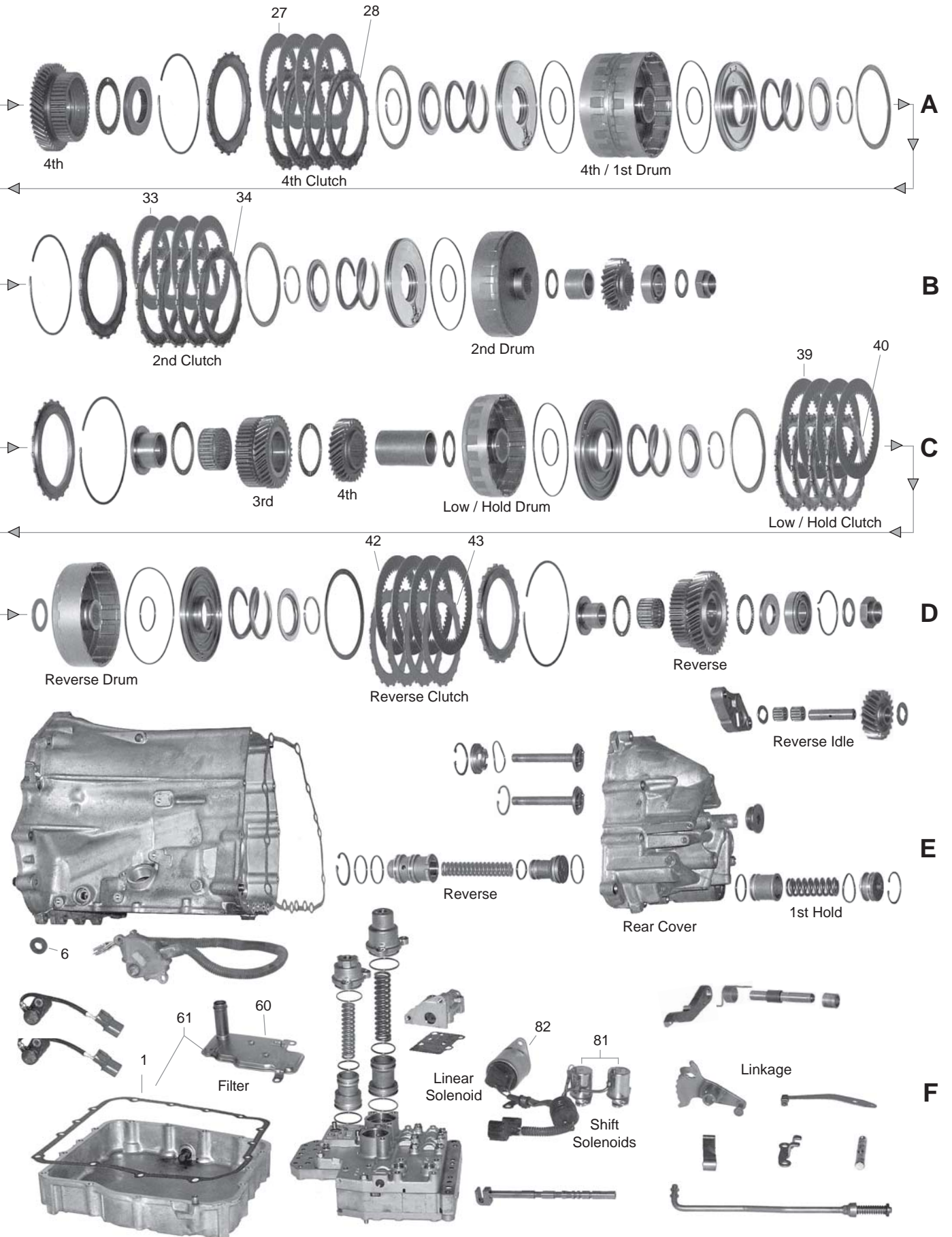


Honda Longitudinal (Inline) 4-Speed

FWD 4 Speed





Honda - Longitudinal (Inline) 4-Speed

ILL. NO.	PART NUMBER	6-PACK	5-PACK	DESCRIPTION	YEARS
Vehicle		Transmission Type		No. of Solenoids	Years
	Acura Legend			MPYA (6 Clutch Packs)	2 External/3 Internal 1991-95
	Acura 3.2 TL			M5HA (6 Clutch Packs)	2 External/3 Internal 1996-98
	Acura 3.5 RL			M5DA (6 Clutch Packs)	2 External/3 Internal 1996-04
	Acura Vigor			MPWA (5 Clutch Packs)	2 External/3 Internal 1992-95
	Acura 2.5 TL			M1WA (5 Clutch Packs)	2 External/3 Internal 1996-98
ILL. NO.	PART NUMBER	6-PACK	5-PACK	DESCRIPTION	YEARS
	TMLEGEND-3	1		Technical Manual	1991-95
MASTER BOX KITS					
---	K9100R-S ¹	1		Master Kit (w/o Steels)	Legend, 3.2TL & 3.5RL 1991-04
---	K9100V-S ¹		1	Master Kit (w/o Steels)	Vigor & 2.5TL 1992-98
Steel Plate Sub-Kits:					
---	K9100R-9	1		Steel Plate Kit	Legend, 3.2TL & 3.5RL 1991-04
---	K9100V-9		1	Steel Plate Kit	Vigor & 2.5TL 1992-98
¹ For Kits Built with OEM Friction Plates, Please Order with a "J" Prefix.					
OVERHAUL KITS AND GASKET SETS					
---	K91900R	1		Overhaul Kit	Legend, 3.2TL & 3.5RL 1991-04
---	K91900V		1	Overhaul Kit	Vigor & 2.5TL 1992-98
---	K91900R-1	1		Gasket and Rubber Kit	Legend, 3.2TL & 3.5RL 1991-04
---	K91900V-1		1	Gasket and Rubber Kit	Vigor & 2.5TL 1992-98
GASKET AND RUBBER COMPONENTS					
1F	91170R	1		Oil Pan Gasket	Legend 1991-95
1F	91170T	1		Oil Pan Gasket	3.2TL & 3.5RL 1996-04
1F	91170V		1	Oil Pan Gasket	Vigor & 2.5TL 1992-98
---	91120R	1	1	Oil Filter O'Ring	All 1991-04
METAL CLAD SEALS					
---	91553V		1	Main Shaft	50x70x11mm 1992-98
6E	68504	1	2	Cross Shaft	12x22x7mm 1991-04
7A	95526	1		Torque Converter	46x70x8mm 1991-04
---	68502		1	Torque Converter	44x68x8mm 1992-98
8F	91553R	1		Extension Shaft to Differential	55x75x11mm 1991-04
9F	91554R	1		Secondary Shaft	37.5x47x7mm 1991-04
---	91554V		1	Secondary Shaft	32.5x42x7mm 1992-98
---	91552V		1	Left Axle - Differential	40x60x8mm 1992-98
11F	91551R	1		Transmission Housing (Rear)	46x61x8mm 1991-04
---	68512		1	Right Axle	40x56x9mm 1992-98
---	91556V		1	Pinion Shaft	52x72x8mm 1992-98
---	91557V		1	Pinion Collar 1992-98
---	91557R	1		Differential Gear	56x75x10mm 1991-04
---	91552R	1		Differential Carrier Cover	42x63x9mm 1991-04

Honda - Longitudinal (Inline) 4-Speed

ILL. NO.	PART NUMBER	6-PACK	5-PACK	DESCRIPTION	YEARS
SEALING RINGS					
--	K91901R	1		Sealing Ring Kit	1991-04
---	K91901V		1	Sealing Ring Kit	1992-98
20A	91201R	4		Main Shaft (42mm)	Metal 1991-04
---	68205		3	Main Shaft - Large (35mm)	Metal 1992-98
---	68206		1	Main Shaft - Small (29mm)	Metal 1992-98
22C	91203R	2		Countershaft (37mm)	Metal 1991-04
CLUTCH PLATES					
27A	91304T ²	4		4th Friction	125mm O.D. - .093" 1991-04
---	68304G ²		4	4th Friction	116mm O.D. - .076" 1992-98
28A	91305T	4		4th Steel	95mm, 20 Teeth - .102" 1991-04
---	91305CA ³		4	4th Steel	85mm, 24 Teeth - .091" 1992-98
30B	91304R ²	4		1st Friction	125mm O.D. - .079" 1991-04
---	68304G ²		4	1st Friction	116mm O.D. - .076" 1992-98
31B	91305R	4		1st Steel	95mm, 20 Teeth - .079" 1991-04
---	68305G ³		4	1st Steel	87mm, 10 Teeth - .076" 1992-98
33B	91304R ²	4		2nd Friction	125mm O.D. - .079" 1991-04
---	68304G ²		4	2nd Friction	116mm O.D. - .076" 1992-98
34B	91305R	4		2nd Steel	95mm, 20 Teeth - .079" 1991-04
---	91305CA ³		4	2nd Steel	85mm, 24 Teeth - .091" 1992-98
36C	91304T ²	4		3rd Friction	125mm O.D. - .093" 1991-04
---	68304G ²		4	3rd Friction	116mm O.D. - .076" 1992-98
37C	91305T	4		3rd Steel	95mm, 20 Teeth - .102" 1991-04
---	68305G ³		4	3rd Steel	87mm, 10 Teeth - .079" 1992-98
39C	91304R ²	4		Low Hold Friction	125mm O.D. - .079" 1991-04
---	68304G ²		3	Low Hold Friction	116mm O.D. - .076" 1992-98
40C	91305R	4		Low Hold Steel	95mm, 20 Teeth - .079" 1991-04
---	68305G ³		3	Low Hold Steel	87mm, 10 Teeth - .076" 1992-98
42D	91304R ²	4		Reverse Friction	125mm O.D. - .079" 1991-04
43D	91305R	4		Reverse Steel	95mm, 20 Teeth - .079" 1991-04
² Order Friction Plates with a "J" Prefix for OEM or a "B" Prefix for Borg Warner. ³ For Selective Steels, See Steel Plate Information in Honda 4-Speed with 3 Shafts.					
TRANSMISSION OIL FILTERS					
60F	91600R ⁴	1		Oil Filter	Legend 1991-95
61F	ATK-132	1		Oil Filter Kit	Legend 1991-95
60F	91600R ⁴	1		Oil Filter	3.2TL & 3.5RL 1996-04
61F	ATK-210	1		Oil Filter Kit	3.2TL & 3.5RL 1996-04
60F	91600V ⁴		1	Oil Filter	Vigor & 2.5TL 1992-98
61F	ATK-133		1	Oil Filter Kit	Vigor & 2.5TL 1992-98
⁴ Please See Filter Illustrations on page 5.2-6 for Visual Identification.					
ELECTRONIC COMPONENTS AND MISCELLANEOUS					
---	K91980R	1		Bushing Kit	Legend 1991-95
---	K91980H		1	Bushing Kit	Vigor 1992-95
---	K91912U	1	1	Bushing Installation and Removal System	1991-95
70D	91813R	1		Low Sprag (34 Elements, 3.127" I.D., 3.760 O.D., .800" Tall)	1991-95
71D	91814R	1		Intermediate Sprag (30 Elements, 2.759" I.D., 3.392" O.D., .840" Tall)	1991-95
80D	91870R	1		Lock-Up Solenoids (M5HA, MPYA)	1991-04
80D	91870V		1	Lock-Up Solenoids (MPWA)	1992-95
81F	91871R	1		Shift Solenoids (MPYA)	1991-95
81F	91871T	1	1	Shift Solenoids (M5HA, M1WA)	1996-98
82F	91879T		1	Linear Solenoid (M1WA)	1996-98