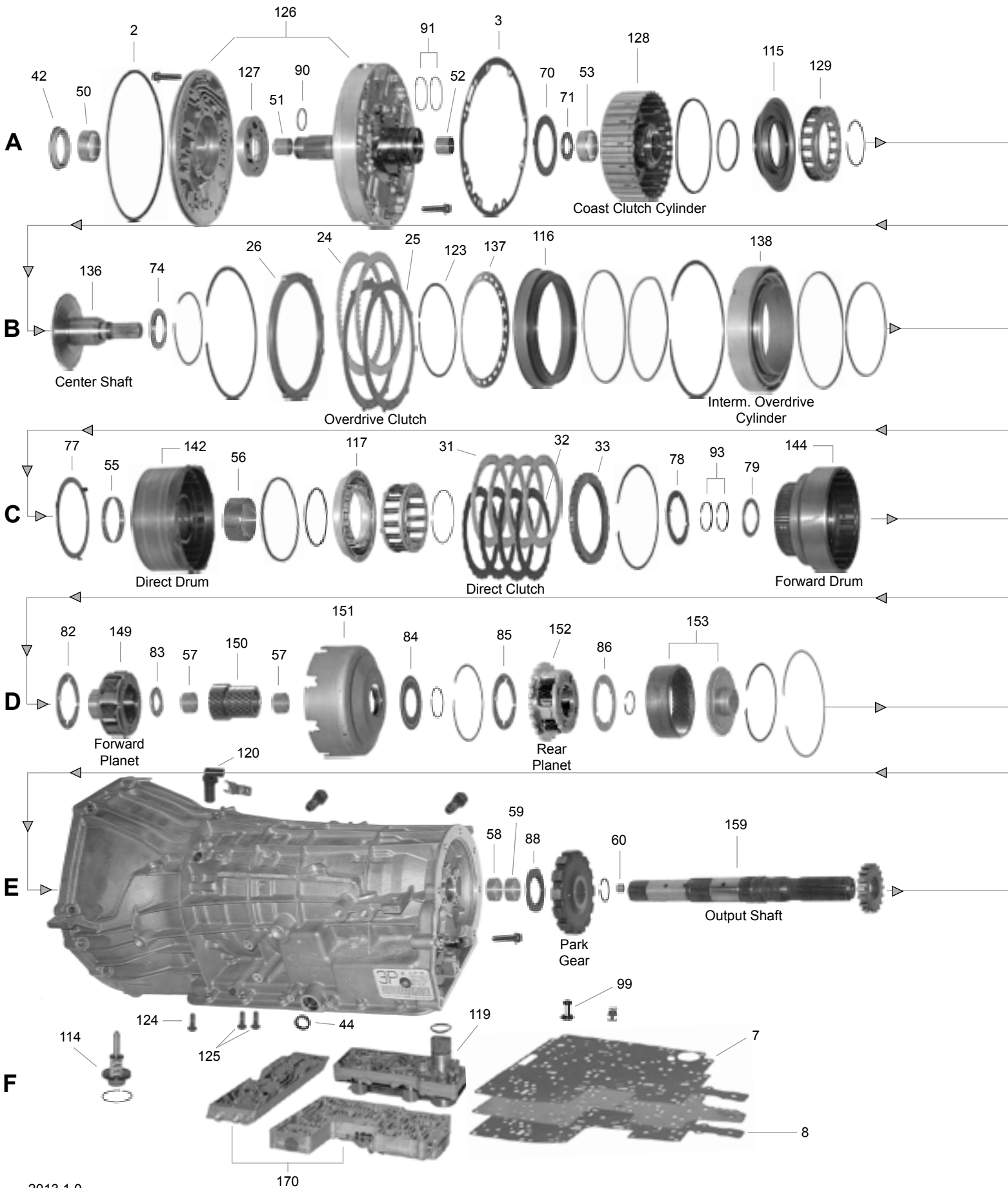
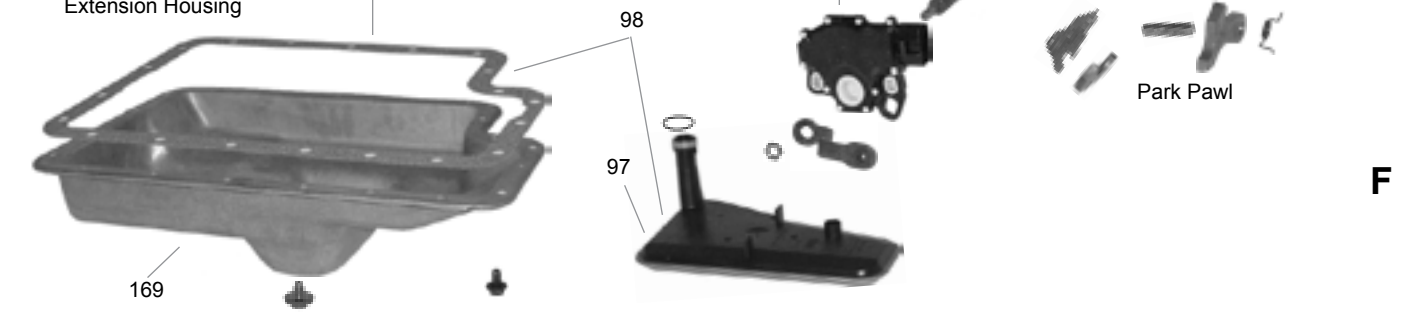
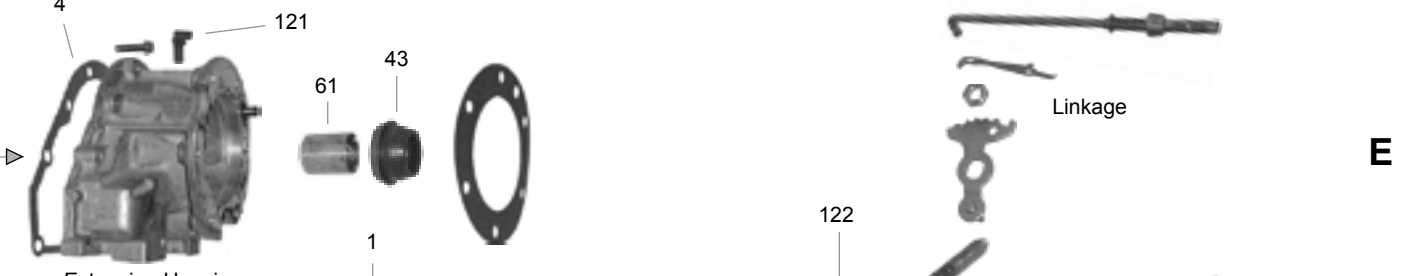
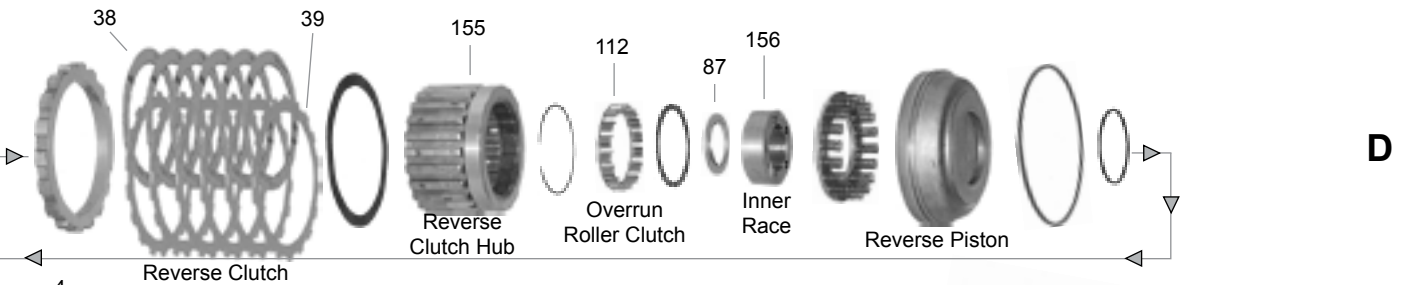
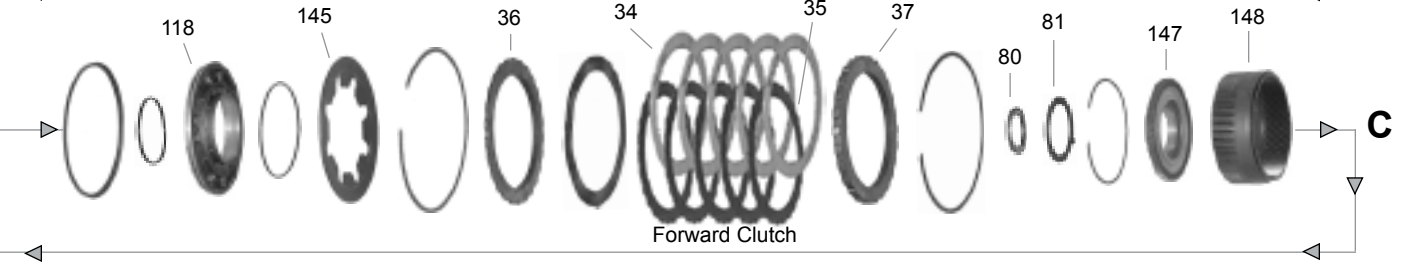
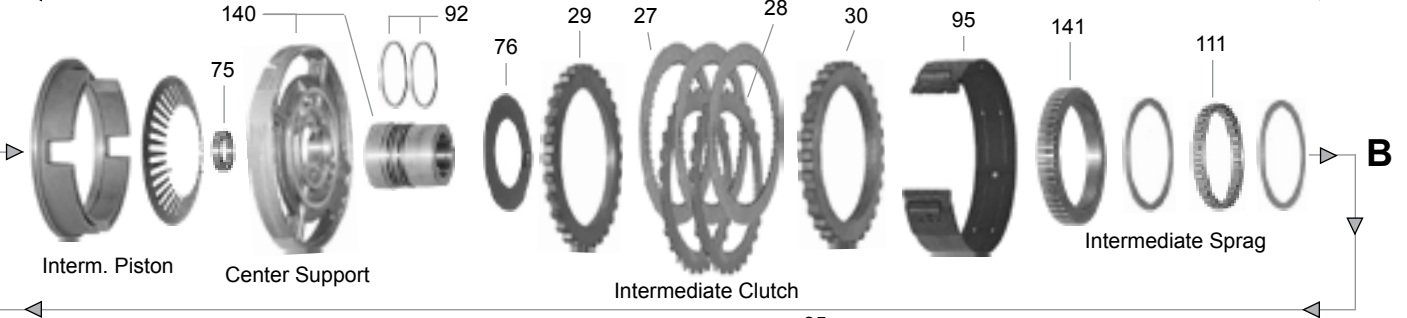
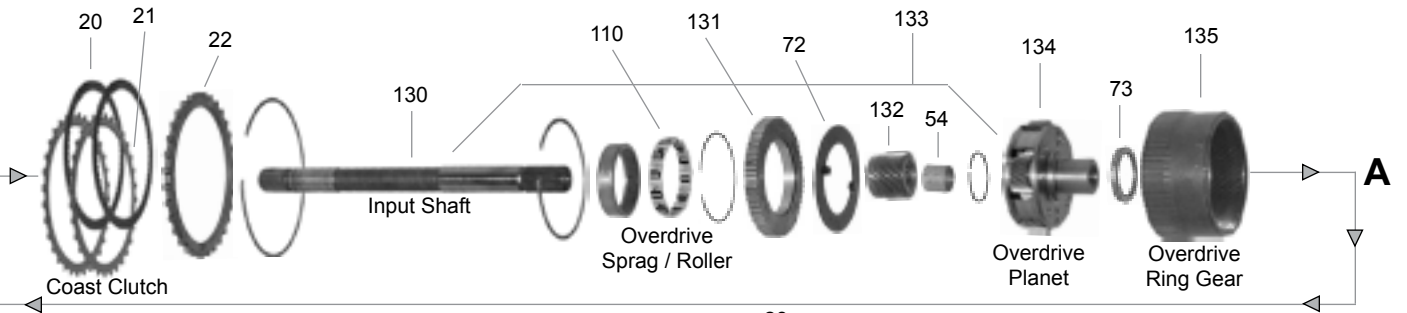


E4OD / 4R100

RWD 4 Speed





FORD E4OD/4R100 (Electronic 4-Speed RWD)

ILL. NO.	PART NUMBER	PER CAR	DESCRIPTION	YEARS
	TME4OD		Technical Manual.....	1989-98
	TME4ODU		Technical Manual/Update Handbook.....	1989-98
	TM4R100		Technical Manual.....	1998-05
REBUILDER BOX KITS				
---	MRK3700-S ¹		Master Rebuilder Kit (w/o Steels)..... 2WD	1989-95
---	MRK3700G-S ^{1,2}		Master Rebuilder Kit (w/o Steels)..... 2WD	1996-4/97
---	MRK3700A-S ¹		Master Rebuilder Kit (w/o Steels)..... 4WD	1989-95
---	MRK3700H-S ^{1,2}		Master Rebuilder Kit (w/o Steels)..... 4WD	1996-4/97
---	MRK3700J-S ^{1,2}		Master Rebuilder Kit (w/o Steels) All 2WD E4OD & 4R100 w/Cast Iron Coast Drum	5/97-99
---	MRK3700K-S ^{2,3}		Master Rebuilder Kit (w/o Steels) 2WD 4R100; Exc. Super Duty, Excursion & Lightning ...	1/98-05
---	MRK3700L-S ^{2,3}		Master Rebuilder Kit (w/o Steels) 4WD 4R100 & All Super Duty, Excursion & Lightning ...	1/98-05
---	K3700-S ¹		Master Kit (w/o Steels).....	1989-95
---	K3700G-S ^{1,2}		Master Kit (w/o Steels).....	1996-4/97
---	K3700J-S ^{1,2}		Master Kit (w/o Steels)..... All E4OD and 4R100 w/Cast Iron Coast Drum	5/97-99
---	K3700K-S ^{2,3,4,5}		Master Kit (w/o Steels)..... 4R100 w/Steel Coast Drum	1/98-05
Steel Plate Sub-Kits:				
---	K3700-9 ^{1,6}		Steel Plate Kit All E4OD and 4R100 w/Cast Iron Coast Drum	1989-99
---	K3700K-9		Steel Plate Kit 4R100 w/Steel Coast Drum	1/98-05
¹ Some Diesel Trucks may require an additional Overdrive and Direct Friction and Steel, please order separately. ² Does not include Molded Rubber Pan Gasket (37170GR) or Molded Rubber O/D Clutch Piston (37844G.) ³ Does not include Molded Rubber Coast Clutch Piston for Steel Drum 1/98-05, please order 37846K. ⁴ Super Duty Trucks w/6.8L or Diesel, Excursion w/6.8L or Diesel and F150 Lightning/Heritage require a Larger Extension Housing Seal, please order 37551K separately. ⁵ Vehicles with P.T.O. (Power Take Off) or cover require a PTO Gasket, please order 37106K. ⁶ 1997 Super Duty E4OD and all 1998-99 E4OD and 4R100 use thick Inter. steels, order (2) 37307H separately.				
OVERHAUL KITS, GASKET SETS AND SEAL KITS				
---	K37900		Overhaul Kit.....	1989-95
---	K37900G ^{2,3,4,5}		Overhaul Kit.....	1996-05
---	K37900-1		Gasket & Rubber Kit.....	1989-95
---	K37900G-1 ^{2,3,5}		Gasket & Rubber Kit.....	1996-05
---	K37900-7		Front Pump Seal-Up Kit	1989-05
---	K37900-8		Complete External Seal-Up Kit.....	1989-95
---	K37900G-8 ^{2,4,5}		Complete External Seal-Up Kit.....	1996-05
---	K37900-3		Valve Body Gasket Kit..... Plain	1989
---	K37900A-3		Valve Body Gasket Kit..... Yellow Stripe	1990-95
---	K37900G-3		Valve Body Gasket Kit..... Green Stripe	1996-97
---	K37900J-3		Valve Body Gasket Kit..... White Stripe (Upper) - Blue Stripe (Lower)	1998-05
GASKET AND RUBBER COMPONENTS				
1F	37170A	1	Oil Pan Gasket Thick Duraprene	1989-95
1F	37170GR	1	Oil Pan Gasket Molded Rubber	1996-05
2A	37100	1	Front Pump Lathe Cut Seal.....	1989-05
3A	37101	1	Front Pump to Case Gasket.....	1989-05
---	37121	8	Front Pump Bolt Washers	1989-05
---	37106K	1	P.T.O. Cover to Case Gasket 4R100	1/98-05
4E	37110	1	Extension Housing Gasket..... 2WD	1989-05
---	37140	AR	Valve Body Check Ball Viton - 5/16"	1989-05

FORD E4OD/4R100 (Electronic 4-Speed RWD)

ILL. NO.	PART NUMBER	PER CAR	DESCRIPTION	YEARS
GASKET AND RUBBER COMPONENTS - Cont'd.				
---	37140A	AR	Valve Body Check Ball Plastic - 1/4"	1989-05
---	6507C	1	Manual Lever Grommet.....	1989-05
---	3291L	1	Filler Tube O'Ring.....	1989-05
7F	37102	1	Valve Body Gasket (Upper / Plain)015" Thick	1989
7F	37102A	1	Valve Body Gasket (Upper / Yellow)..... .015" Thick	1990-95
7F	37102G	1	Valve Body Gasket (Upper / Green)015" Thick	1996-97
7F	37102J	1	Valve Body Gasket (Upper / White)..... .015" Thick	1998-05
8F	37103	1	Valve Body Gasket (Lower / Plain)008" Thick	1989
8F	37103A	1	Valve Body Gasket (Lower / Yellow)..... .008" Thick	1990-95
8F	37103G	1	Valve Body Gasket (Lower / Green)008" Thick	1996-97
8F	37103J	1	Valve Body Gasket (Lower / Blue)..... .008" Thick	1998-05
CLUTCH PLATES				
20A	37308	2-3	Coast Friction 60T, .077" - 6.594" O.D.	1989-05
21A	37309	2	Coast Steel (Cast Drum) 60 Small Teeth, .079" - 6.847" I.D.	1989-99
21A	37309K	2-3	Coast Steel (Steel Drum) 32 Large Teeth, .079" - 5.845" I.D.	1/98-05
22A	37313	1	Coast Pressure Plate (Cast Drum)	1989-99
22A	37313K	1	Coast Pressure Plate (Steel Drum)	1/98-05
24B	37310	2-3	Overdrive Friction 64 Small Teeth, .077" - 8.690" O.D.	1989-99
24B	37310K	2-3	Overdrive Friction (w/Steel Coast Drum) 32 Large Teeth, .077" - 8.690" O.D.	1/98-05
25B	37311	2-3	Overdrive Steel..... 6T, .079" - 7.468" I.D.	1989-05
26B	37314	1	Overdrive Pressure Plate (3-Friction Pack)318"	1989-05
27B	37306	3	Intermediate Friction..... 50T, .077" - 7.793" O.D.	1989-2/97
27B	37306HE	3	Intermediate Friction (High Energy) 50T, .077" - 7.793" O.D.	3/97-05
27B	K37352Z	1	Intermediate Z-Pak Kit (Raybestos)	1989-05
<i>Note: If unit has an Intermediate Mechanical Diode, it must be replaced with the previous design sprag components.</i>				
28B	37307	2	Intermediate Steel 30T, .079" - 7.891" I.D.	1989-97
28B	37307H	2	Intermediate Steel 26T, .127" - 6.210" I.D.	1997-05
29B	37307H	1	Intermediate Apply Plate 26T, .127" - 6.210" I.D.	1989-05
30B	37312H	1	Intermediate Pressure Plate..... .325"	1997-05
31C	37304	4-5	Direct Friction (Smooth) 64T, .077" - 6.389" O.D.	1989-05
31C	36304	4-5	Direct Friction (Grooved) 64T, .077" - 6.389" O.D.	1996-05
32C	36305	4-5	Direct Steel..... 26T, .079" - 5.120" I.D.	1989-05
32C	36306	AR	Direct Steel (Oversized)095"	1989-05
33C	36415A	1	Direct Pressure Plate344"	1989-05
34C	37302	4	Forward Friction (Hardened Splines) 90T, .077" - 6.365" O.D.	1989-05
35C	36305	4	Forward Steel..... 26T, .079" - 5.120" I.D.	1989-05
35C	36306	AR	Forward Steel (Oversized)095"	1989-05
36C	36415	1	Forward Apply Plate (Bevelled)	1989-05
37C	36415A	1	Forward Pressure Plate..... .344"	1989-05
38D	36504A	6	Reverse Friction 72 Small Teeth - .077"	1989-4/97
38D	37321H	6	Reverse Friction 24 Large Teeth - .077"	5/97-05
39D	36505	6	Reverse Steel..... .068"	1989-05
---	K37359	1	Clutch Pack Clearance Kit..... Cures Delayed Engagement	1989-05
METAL CLAD SEALS				
42A	37526	1	Front Pump.....	1989-05
43E	37551	1	Extension Housing (w/o Boot) 2WD Except Below	1989-05
43E	37551B	1	Extension Housing (w/Boot) 2WD Except Below	1989-05
43E	37551K	1	Extension Housing (3.18" O.D.) All Diesel, "Super Duty" w/6.8L and Lightning	3/98-05
44F	26507	1	Manual Lever.....	1989-05

E4OD / 4R100

E4OD/4R100 - Cont'd.

ILL. NO.	PART NUMBER	PER CAR	DESCRIPTION	YEARS
BUSHINGS				
---	K37980A	1	Bushing Assortment Kit (* Not Included)	1989-05
50A	36002B	1	Front Pump..... Babbit	1989-94
50A	36002*	1	Front Pump..... Bronze	1989-94
50A	47005	1	Front Pump.....	1995-05
51A	36000A	1	Stator Support (Front)	1989-05
52A	36001A	1	Stator Support (Rear)	1989-05
53A	66001C	1	Coast Clutch Drum (Cast Iron)	1989-99
53A	37002K*	1	Coast Clutch Drum (Steel)	1/98-05
54A	36000A	1	Overdrive Sun Gear	1989-05
55C	36004	1	Intermediate Brake Drum (Front)	1989-05
56C	36003	1	Intermediate Brake Drum (Rear)	1989-05
56C	36003L*	1	Intermediate Brake Drum (Rear)	1998-05
57D	36005	2	Sun Gear.....	1989-05
58E	36007	1	Case - Front (3 Oil Grooves)	1989-05
59E	37017	1	Case - Rear (1 Oil Groove)	1989-05
58/9E	37007Y*	1	Case " One Piece Design "	1989-05
58/9E	37007WX*	1	Case " Oversized - One Piece Design "	1989-05
60E	37009	1	Output Shaft Pilot Bushing	1989
60E	37426	1	Output Shaft Pilot <i>Bearing</i>	1990-94
61E	B6023	1	Extension Housing (2WD).....	1989-05
61E	37008T*	1	Extension Housing (2WD).....	1989-05
61E	37008K*⁷	1	Extension Housing (2WD).....	1/98-05
⁷ Used in All Diesels, Super Duty Trucks/Excursion w/6.8 Litre and F150 Lightning/Heritage.				
THRUST WASHERS AND BEARINGS				
---	K37940	1	Thrust Washer Kit (* Not Included)	1989-05
---	K37442	1	End-Play Shim Kit (Ten 4-Slot .010" Shims)	1989-05
---	K37941A	1	Thrust Needle Bearing Kit	1989-96
---	K37941H	1	Thrust Needle Bearing Kit	1997-05
70A	37400	1	Front Pump Support Washer.....	1989-05
71A	37425	1	Overdrive Sun Gear Needle Bearing.....	1989-05
72A	37407P	1	Overdrive Planetary Washer (Plastic)	1989-05
72A	37407KP*	1	Overdrive Planetary Washer (Plastic)	1/98-05
73A	53420	1	Overdrive Planetary Needle Bearing.....	1989-05
74B	53423	1	Overdrive Center Shaft Needle Bearing.....	1989-05
75B	37431A	1	Center Support Ball Bearing (Replacement For OEM Ford Bearing Style Support)	1994-05
76B	37403	1	Center Support Washer (Rear)	1989-05
77C	37406P	1	Intermediate Sprag Washer (Plastic)	1989-05
78C	37401	1	Direct Brake Drum to Forward Drum Washer	1989-99
79C	49420	1	Forward Clutch Drum Needle Bearing	1989-05
80C	47421	1	Forward Planetary Needle Bearing	1989-05
81C	36421	1	Forward Clutch Hub to Forward Drum Washer	1989-05
82D	37402	1	Forward Planetary Washer.....	1989-96
82D	37422H	1	Forward Planetary Bearing.....	1997-05
82D	37408*	1	Forward Planetary Washer (Narrow Tab)	89-6/91
82D	37408A*	1	Forward Planetary Washer (Wide Tab)	7/91-96
83D	47421	1	Forward Planetary Needle Bearing	1989-05
84D	37404	1	Input Shell Washer	1989-05
85D	37402	1	Reverse Planetary Washer (Front).....	1989-05
85D	37408*	1	Reverse Planetary Washer (Front - Narrow Tab)	89-8/91
85D	37408A*	1	Reverse Planetary Washer (Front - Wide Tab).....	9/91-On

E4OD/4R100 - Cont'd.

ILL. NO.	PART NUMBER	PER CAR	DESCRIPTION	YEARS
THRUST WASHERS AND BEARINGS - Cont'd.				
86D	37402	1	Reverse Planetary Washer (Rear) 4-Pinion	1989-05
86D	37401	1	Reverse Planetary Washer (Rear) Fits Some Aftermarket 4-Pinion Planets	1989-05
86D	37408A*	1	Reverse Planetary Washer (Rear - Wide Tab) 3- and 6-Pinion	1989-05
60E	37426	1	Output Shaft Pilot Bearing (Caged) Replaces Bushing	1990-94
87D	37424	1	Output Shaft Needle Bearing (Not in Kits) Before 2/24/89	1989
87D	53423	1	Output Shaft Needle Bearing From 2/24/89	1989-05
88E	36437	1	Case to Parking Gear Washer	1989-98
88E	36450*	1	Case to Parking Gear Washer ... (Oversized) Use w/K36912 and 37912A Tools	1989-98
88E	37427H	1	Case to Parking Gear Thrust Needle Bearing 1 Tab	1997-05
SEALING RINGS				
---	K37901	1	Sealing Ring Kit.....	1989-05
90A	37200T	1	Front Pump Support..... Teflon	1989-05
91A	37201T	2	Coast Clutch..... Teflon	1989-05
92B	36210	2	Direct Clutch..... Metal	1989-05
93C	36401	2	Forward Clutch..... Metal	1989-05
BANDS				
95B	37714	1	Intermediate Brake	1989-05
TRANSMISSION OIL FILTERS				
97F	37600 ⁸	1	Oil Filter (Shallow Pan)	1989-05
97F	37601 ⁹	1	Oil Filter (Deep Pan)	1989-05
98F	ATK-100	1	Oil Filter Kit (Shallow Pan) 2WD	1989-95
98F	ATK-185 ⁸	1	Oil Filter Kit (Shallow Pan)	1996-05
98F	ATK-101	1	Oil Filter Kit (Deep Pan) 4WD	1989-95
98F	ATK-186 ⁹	1	Oil Filter Kit (Deep Pan)	1996-05
⁸ All 2WD E4OD and 4R100, Except 2WD 4R100 "Super Duty" Vehicles, Excursion and Lightning/Heritage. ⁹ All 4WD E4OD, All 2WD & 4WD 4R100 "Super Duty" Vehicles 3/98-On, All Excursion and Lightning/Heritage.				
99F	37610	1	Solenoid Screen See Page 2.32-2	1989-05
---	K37611	1	Accumulator Screen (w/Spring)..... Located in Case, See Page 2.32-2	1991-05
SPRAGS AND ROLLER CLUTCHES				
110A	37815	1	Overdrive Sprag	1989-94
110A	37815A	1	Overdrive Roller Clutch (Can Use 53815N) Use w/Cast Iron Coast Drum	1995-99
110A	K37815A ¹⁰	1	Overdrive Roller Clutch Upgrade Kit Use w/Cast Iron Coast Drum	1989-99
110A	37815K	1	Overdrive Roller Clutch Use w/Steel Coast Drum	1/98-05
¹⁰ Includes Races and Snap Rings, Upgrades 1989-94 Units.				
111B	37814	1	Intermediate Sprag (34 Elements) All	1989-05
111B	K37814	1	Intermediate Sprag w/Race (34 Elements) All	1989-05
111B	37814HD	1	Intermediate Sprag (Heavy Duty - 45 Elements) All	1989-05
111B	37814MD	1	Intermediate Mechanical Diode (Not Serviced, use K37814, 37802K, 37406P & {3} 37306HE) 7/00-01	
112D	37813A ¹¹	1	Overrun Clutch Roller Kit..... Plastic Cage w/16 Rollers	1989-4/97
112D	37813H	1	Overrun Clutch Roller Kit..... Larger I.D. Plastic Cage w/17 Rollers	5/97-05
¹¹ This will replace the earlier metal cage version by discarding the washers and snap rings.				
PISTONS				
114F	37828B ¹²	1	Intermediate Band Servo Piston Molded Rubber	1989-05
¹² The 37828B retrofits to 1989 by removing the retainer and snap ring.				

E4OD / 4R100

E4OD/4R100 - Cont'd.

ILL. NO.	PART NUMBER	PER CAR	DESCRIPTION	YEARS
PISTONS - Cont'd.				
115A	37846K	1	Coast Clutch Piston (Molded Rubber) w/Steel Coast Drum	1/98-05
116B	37844G	1	Overdrive Clutch Piston (Molded Rubber) Some 1996, All 1997-On	1996-05
117C	37843	1	Direct Clutch Piston (Aluminum) For Washer Style Drum	1989-99
117C	37843K	1	Direct Clutch Piston (Aluminum) For Non-Washer Style Drum	2000-05
118C	37841	1	Forward Clutch Piston (Aluminum)	1989-05
SHIFT ENHANCEMENTS AND VALVES				
---	K37944A ¹³	1	Shift Kit (Includes P.R. Boost Valve and Sleeve)..... TransGo	1989-05
¹³ Addresses Soft Shifts, Converter Burn-Up, Reverse Delay, 2nd and 3rd Burn-Up.				
---	ST37944	1	Shift Correction Package..... Superior	1989-05
---	ST37944PT	1	Shift Correction Package..... Superior - Power Tow	1989-05
---	K37944RT	1	Valve Body Kit RatioTek	1989-05
---	SC-E4OD	1	"Sure Cure" Kit Sonnax	1989-99
---	SC-4R100HD	1	"Sure Cure" Kit Sonnax	1/98-05
---	ST37946	1	Code "62" Correction Kit..... Superior	1989-05
---	ST37949	1	"No-Bang" Reverse Kit Superior	1989-05
---	E4OD-HD2	1	Reprogramming Kit (E4OD and 4R100) TransGo	1989-05
---	4R100-HD2	1	Reprogramming Kit (E4OD and 4R100) TransGo "Tugger Kit"	1989-05
---	K37889 ¹⁴	1	Pressure Regulator Sleeve and Boost Plug Kit.....	1989-05
¹⁴ Addresses Poor Reverse Boost and Soft Shift Complaints.				
---	K37889LB	1	Line Pressure Booster Kit (Sonnax)	1989-05
---	37884W	1	Pressure Regulator Valve (Sonnax, Line to Lube Modified, Codes 62, 628, 1744)	1989-05
---	K37768W	1	Pressure Regulator Springs (Sonnax, Elevated Line Pressure, 20 Springs)	1989-05
---	K37989F	1	PWM TCC Valve Kit (TransGo, Converts "PWM" Style TCC to "On/Off", Use w/SK Kit)	1/98-05
---	37989FW	1	PWM TCC Control Sleeve (Sonnax)	1/98-05
---	K37887	1	Line Pressure Modulator Sleeve (.372") Controls 1-2 & 2-3 Shift Firmness	1989-05
---	K37887A	1	Line Pressure Modulator Sleeve (.427") Controls 1-2 & 2-3 Shift Firmness	1989-05
---	K37887HD	1	Line Pressure Modulator Sleeve (.500") Controls 1-2 & 2-3 Shift Firmness	1989-05
---	K37883	1	Low/Reverse Modulator Valve Plunger and Sleeve (Sonnax, Burned L/R Frictions)	1989-05
---	K37883G	1	Steel 2-3 Shift Valve Kit (TransGo, Fits F6 Casting, Corrects No 3rd-4th when Rev is ok)	1989-05
---	K37885	1	Accumulator Control Valve Kit (TransGo, "Steel Valves")	1989-05
---	K37885W	1	1-2 & 2-3 Accumulator Control Valve Kit (Sonnax, Use w/Reamer 37585W)	1989-05
---	K37885WD	1	3-4 Accumulator Control Valve Kit (Sonnax, Use w/Reamer 37585W)	1989-05
---	ST37885	1	Accumulator Control Valve Kit (Superior, "Steel Valves" w/Bore Prep Tool)	1989-05
---	K37767W	1	Accumulator Spring Kit (Sonnax - Improved for Quicker Firmer Shifts)	1989-05
---	K37886W	1	Oversized Accumulator Pressure Control Valve (Sonnax, use w/K37586W Tool Kit)	1989-05
---	K37896W	1	Oversized Manual Valve Kit (Sonnax, L/R Clutch Failure/Rev Problems, Use w/K37596W) ...	1989-05
ELECTRONIC COMPONENTS				
Note : When ordering a Solenoid Body, please add the suffix (-R) for a Remanufactured Unit, if Desired.				
119F	37879	1	Solenoid Body	1989-94
119F	37879F	1	Solenoid Body E4OD	1995-98
119F	37879F	1	Solenoid Body 4R100 w/On/Off TCC - 20 Ohms	1/98-05
119F	37879K	1	Solenoid Body 4R100 w/PWM TCC - 10 Ohms	1/98-05
---	37859VC	1	Solenoid Body Connector Repair Kit..... Renews Vehicle Side Harness	1989-94
---	37859FVC	1	Solenoid Body Connector Repair Kit..... Renews Vehicle Side Harness	1995-05
120E	37875J	1	Turbine Speed Sensor (4R100 w/o P.T.O. Gear) 1.500" Long Magnetic Pickup	1/98-05
120E	37875K	1	Turbine Speed Sensor (4R100 w/P.T.O. Gear) .750" Long Magnetic Pickup	3/98-05
---	37876	1	Vehicle Speed Sensor (On Trans or T-Case)..... w/Speedo-Cable	1989-05

E4OD/4R100 - Cont'd.

ILL. NO.	PART NUMBER	PER CAR	DESCRIPTION	YEARS
ELECTRONIC COMPONENTS - Cont'd.				
---	37876D	1	Vehicle Speed Sensor (On Differential)	1993-05
---	53876E	1	Vehicle Speed Sensor (On Trans or T-Case)..... w/o Speedo-Cable	1992-05
---	37876H	1	Vehicle Speed Sensor (On Trans or T- Case) All SUV and Trucks Under 8500 GVW	1997-05
---	53855VC	1	Vehicle Speed Sensor Repair Harness..... Vehicle Harness Side	1989-05
121E	37875J	1	Output Speed Sensor (All 4R100) 1.500" Long Magnetic Pickup	1/98-05
122F	K37877A	1	Manual Lever Position Sensor Kit..... Upgraded / Analog 8-Pin	1989-96
122F	37877H	1	Transmission Range Sensor (TRS) Digital 11-Pin	1997-05
---	37878	1	Low Range Switch..... On Transfer Case - 4X4 Only	1989-05
---	37898	1	TCM Relay	1989-93
---	37899D	1	FIPL Sensor (3rd Design) Diesel Only	1989-05
---	GS-60	1	60-Inch Ground Strap (Battery Negative to Transmission)	1989-05
---	37655	1	Auto Trans Interceptor (ATG)..... Delays TCC and Increases Line Pressure	1989-94
---	K37660	1	4th Gear Lockout Kit (Superior).....	1989-05
---	37650¹⁵	1	Electronic Coast Clutch Controller (ATG)..... Plugs Into Harness Externally	1989-94
¹⁵ The purpose of this controller is to electronically engage the Coast Clutch automatically upon take-off, in order to reduce Overdrive Sprag failure and provide engine braking.				
MISCELLANEOUS				
---	K37880¹⁶	1	Pump Stator Plastic Valve and Cup Plug Kit.....	1989-05
---	K37880W¹⁶	1	Pump Stator "Aluminum" Lube Valve and Drainback Kit (Sonnax)	1989-05
¹⁶ Inspect If Overdrive Planetary is Burned.				
---	K37882L	1	Cooler Line Bypass Tube (OEM).....	1998-05
---	K37882W	1	Cooler Bypass Valve Kit (TCC Slip, Codes 1728, 1741 & 1744, High Trans Temps)	1998-05
---	33934	2	Orifice Cup Plug (Converter Apply Pump Modification Per ATRA)	1989-05
123B	37254¹⁷	1	Overdrive Piston Snap Ring..... 7/32" Wide	1989-05
123B	37254W¹⁷	1	Overdrive Piston Snap Ring..... Sonnax, Spiral Snap Ring	1989-05
¹⁷ Always replace 5/32" snap rings with the 7/32" wide one during rebuild.				
---	37930	1	Output Shaft Lube Plug (w/Orifice) Use w/Pilotless Style Center Shaft	1989-05
---	37255W	1	Center Support Snap Ring (Sonnax, For Machined Center Support Halo's Only)	1989-05
---	37256	1	Output Shaft Snap Ring (Front)	1989-05
124F	37891	1	Intermediate / Overdrive Feed Bolt	1989-05
125F	37892	2	Center Support Feed Bolt.....	1989-05
---	K37125W	1	Intermediate/Direct Clutch Feed Seal Kit (Sonnax).....	1989-05
---	K37881	1	Stay-Put Filter Clip (Holds Filter Securely into the Pump - Enough for Two Units)	1989-05
---	6507C	1	Manual Lever Grommet.....	1989-05
HARD PARTS				
Note : When ordering Hard Parts, please add the appropriate suffix : (-R) Reman, (-U) Used, (-A) Aftermarket.				
126A	K37895¹⁸	1	Complete Pump Assembly All E4OD and 4R100 with Cast Iron Coast Drum	1989-99
126A	K37895K	1	Complete Pump Assembly 4R100 with Steel Coast Drum and On/Off T.C.C.	1/98-05
126A	K37895KA	1	Complete Pump Assembly 4R100 with Steel Coast Drum and PWM T.C.C.	1/98-05
¹⁸ Redesigned in 1995 to improve lube flow, TCC issues, and engagement concerns. It will retrofit to 1989.				
---	37895¹⁸	1	Pump Body and Gears..... All E4OD and 4R100 with Cast Iron Coast Drum	1989-99
---	37895K	1	Pump Body and Gears..... 4R100 with Steel Coast Drum and On/Off T.C.C.	1/98-05
---	37895KA	1	Pump Body and Gears..... 4R100 with Steel Coast Drum and PWM T.C.C.	1/98-05
127A	K37965	1	Pump Gears (Early Design) 10-Lobe Inner Gear	1989-94
127A	K37965A	1	Pump Gears (Late Design - 4.083" O.D. x .620") 9-Lobe Inner Gear	1995-05
127A	K37965Y	1	Pump Gears (Late Design - 4.118" O.D. x .620") 9-Lobe Inner Gear	1995-05
127A	K37965AW	1	Pump Gears (Late Design - 4.105" O.D. x .630") 9-Lobe Inner Gear	1995-05

E4OD / 4R100

E4OD/4R100 - Cont'd.

ILL. NO.	PART NUMBER	PER CAR	DESCRIPTION	YEARS
HARD PARTS - Cont'd.				
Note : When ordering Hard Parts, please add the appropriate suffix : (-R) Reman, (-U) Used, (-A) Aftermarket.				
128A	37803	1	Coast Clutch Drum (Cast Iron)	1989-99
128A	37803K	1	Coast Clutch Drum (Steel w/o PTO Gear)	1/98-05
128A	37803KA	1	Coast Clutch Drum (Steel w/PTO Gear)	1/98-05
129A	37763	1	Coast Clutch Piston Return Spring (Cast Drum)	1989-99
129A	37763K	1	Coast Clutch Piston Return Spring (Steel Drum)	1/98-05
130A	37851E	1	Input Shaft (Late Design - 12mm Shorter)	1994-05
131A	37818K	1	Outer O/D Sprag Race (w/Steel Coast Drum)	1/98-05
132A	37855J	1	Overdrive Sun Gear (Fits Cast & Steel Drums)	1989-05
133A	K37834 ¹⁹	1	O/D Planet, Input Shaft and Washer Kit (OEM)..... 4-Pinion Steel	1989-05
133A	K37834A ¹⁹	1	O/D Planet and Input Shaft Kit 4-Pinion Steel	1989-05
			¹⁹ Kit Includes Ill. No.'s 129A and 134A.	
134A	37834HD	1	Overdrive Planet (Late 4-Pinion Steel, Use w/37407KP Washer to Retrofit to 1994)	1998-05
134A	37834A	1	Overdrive Planet (Late 4-Pinion Steel, Use w/37407P Washer to Fit 1998-On.)	1994-97
135A	37854	1	Overdrive Ring Gear	1989-97
135A	37854K	1	Overdrive Ring Gear	1998-05
136B	37807	1	Center Shaft (w/Output Shaft Pilot)	1989-94
136B	37807F	1	Center Shaft (w/o Output Shaft Pilot)	1995-05
137B	37764	1	O/D Piston Return Spring.....	1989-05
138B	37853G	1	Overdrive/Intermediate Housing..... Molded Rubber Type	1996-05
---	K37808AH	1	Center Support Aluminum Halo & Snap Ring Kit (Halo Machined to Accept 37255W)	1989-05
140B	K37808 ²⁰	1	Bearing Style Center Support Package (w/Output Shaft Pilot)	1989-05
140B	K37808A ²⁰	1	OEM Bearing Style Center Support Package (w/Output Shaft Cup Plug / 37930)	1989-05
140B	37809F	1	Center Support Bearing Style	1995-05
			²⁰ Kit Includes Ill. No.'s 136B and 140B.	
141B	37818	1	Intermediate Sprag Race (Sprag Type)	1989-05
142C	37802	1	Direct Drum (4-Friction, Thrust Washer Style, will Fit All Models with or w/o T-Washer)	1989-05
142C	37802A	1	Direct Drum (5-Friction, Thrust Washer Style, will Fit All Models with or w/o T-Washer)	1989-05
142C	37802K	1	Direct Drum (5-Friction, w/o Thrust Washer Style Only use with 37810K Sun Shell)	2000-05
142C	37802MD	1	Direct Drum (Mechanical Diode Style; NLA, use K37814, 37802K, 37406P & {3} 37306HE) ...	2000-01
144C	37801	1	Forward Drum Long Internal Spline	1989-99
144C	37801J	1	Forward Drum.....Short Internal Spline	1999-On
118C	37841	1	Forward Clutch Piston (Aluminum)	1989-05
145C	36539A	1	Forward Clutch Diaphragm Spring.....	1989-05
147C	37858H	1	Forward Ring Gear Hub Bearing Type	1997-05
147C	K37858H	1	Forward Ring Gear Hub & Bearing Kit Retrofits to 1989	1989-05
148C	37859	1	Forward Ring Gear.....	1989-05
149D	37833	1	Forward Planetary 4-Pinion Washer Type	1989-96
149D	37833J	1	Forward Planetary 6-Pinion Cast Iron Bearing Type	1997-05
149D	K37833J ²¹	1	Forward Planetary Kit 6-Pinion Cast Iron Bearing Type	1989-05
			²¹ Includes Illustration # 82D, 147C and 149D, Retrofits All Models Back to 1989.	
150D	37860	1	Forward Sun Gear.....	1989-05
151D	37810K ²²	1	Input Drive Shell (w/Ledges for Direct Drum)	1989-05
151D	37810KHD ²²	1	Input Drive Shell (w/Ledges for Direct Drum) Hardened	1989-05
			²² These are the late design Shells, and they will retrofit all models back to 1989.	
152D	37831	1	Reverse Planetary 4-Pinion - 12 Lugs	1989-4/97
152D	37831HD	1	Reverse Planetary (Aftermarket Design) 6-Pinion - 12 Lugs	1989-4/97

E4OD/4R100 - Cont'd.

ILL. NO.	PART NUMBER	PER CAR	DESCRIPTION	YEARS
HARD PARTS - Cont'd.				
Note : When ordering Hard Parts, please add the appropriate suffix : (-R) Reman, (-U) Used, (-A) Aftermarket.				
152D	37831J	1	Reverse Planetary 4-Pinion - 24 Lugs	5/97-05
152D	37831H	1	Reverse Planetary (Use w/37408A to Retrofit 37831J) 6-Pinion - 24 Lugs	5/97-05
153D	37864	1	Rear Ring Gear and Hub.....	1989-05
155D	37867H	1	Reverse Clutch Hub (Grob Style)	5/97-05
156D	36429B	1	Overrunning Clutch Inner Race..... 3.189" O.D.	1989-4/97
156D	K36429B	1	Overrunning Clutch Inner Race and Bearing Kit..... 3.189" O.D.	1989-4/97
156D	37811H	1	Overrunning Clutch Inner Race..... 3.385" O.D.	5/97-05
159E	37852	1	Output Shaft 2WD w/Reluctor Wheel	1989-05
159E	37852A	1	Output Shaft 4WD w/Cup Plug	1989-05
159E	37852B	1	Output Shaft 4WD w/Reluctor Wheel	1989-05
169F	K37884	1	Oil Pan (Aftermarket Deep Type)	1989-05
170F	15-148	1	Valve & Accumulator Body (Reman) E9 Casting	1989
170F	15-149	1	Valve & Accumulator Body (Reman) Main Valve Body Casting F0 & F1, E9 Acc. Body	1990-95
170F	15-150	1	Valve & Accumulator Body (Reman) Main Valve Body Casting F6, F6 Acc. Body	1996-05
170F	15-151	1	Valve & Accumulator Body (Reman) Main Valve Body Casting F8 w/PTO	1998-05
TOOLS				
---	K36912	1	Case Washer Cutting Tool..... Use w/36450 Oversized Washer	1989-05
---	37912A	1	E4OD Case Cutting Washer Adapter Use w/K36912 Case Cutting Tool	1989-05
---	K37913	1	Case Bushing Area Reamer and Fixture (For 37007WX Oversized Bushing)	1989-05
---	37911	1	Case Bushing Installation Tool	1989-05
---	T222A	1	Front Pump Alignment Band	1989-05
---	T2804	1	O/D Clutch Spring Compressor Kit.....	1989-05
---	T2805U	1	Clutch Drum Assembly Remover/Installer (For Early Style & Late Style Sun Shell)	1989-05
---	T2817	1	Air Test Plate	1989-05
---	T2862	1	Pump Alignment Band.....	1989-05
Notes:				

E4OD / 4R100