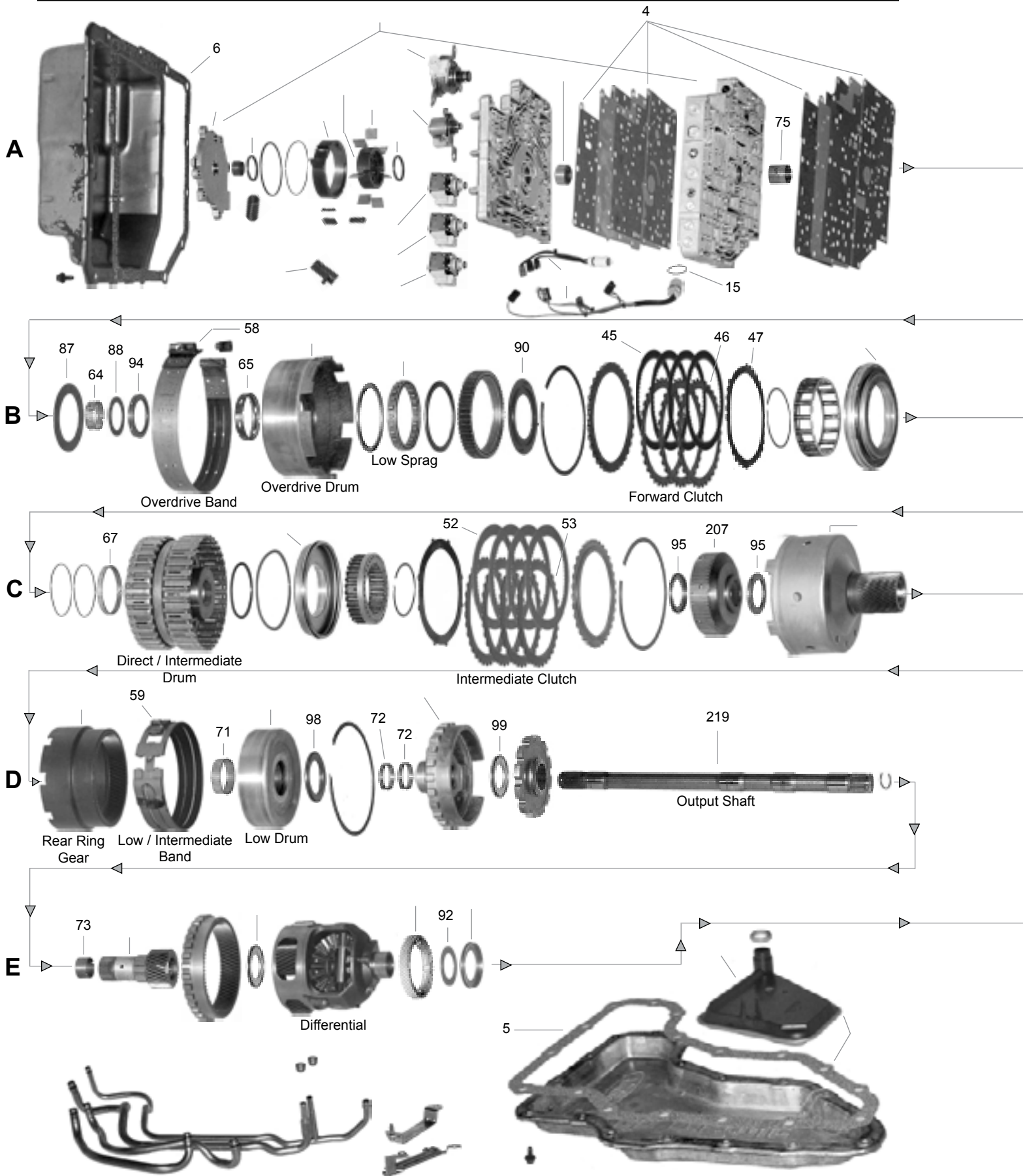
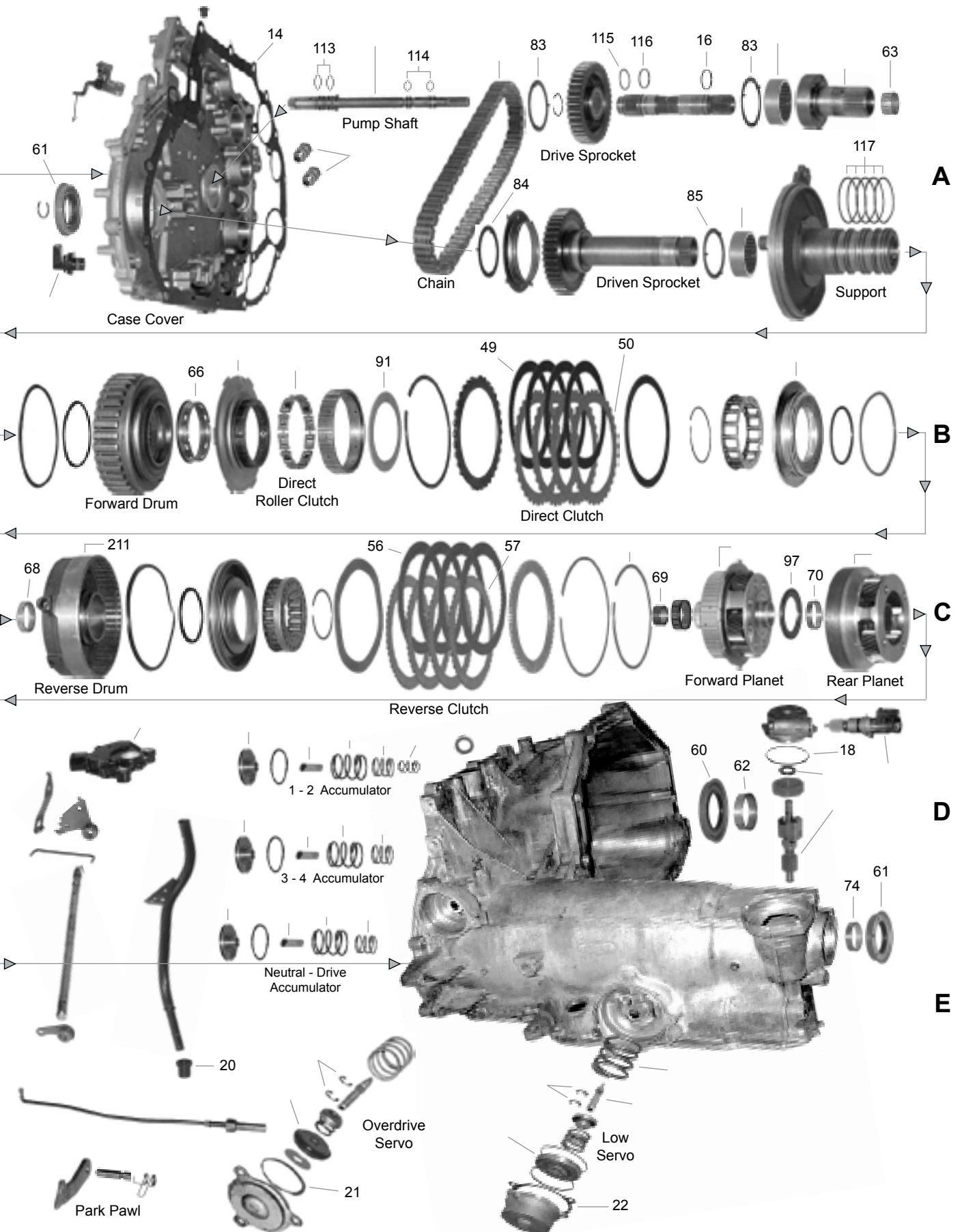


# AXOD / AXODE / AX4S

FWD 4 Speed





# FORD AXOD, AXOD-E (AX4S,4F46S) 4-Speed

ILL. NO.	PART NUMBER	PER CAR	DESCRIPTION	YEARS
<b>REBUILDER BOX KITS AND STEEL PLATE KITS</b>				
---	<b>MRK5300-S</b>		Master Rebuilder Kit (w/o Steels) ..... <b>AXOD</b> .....	1986-90
---	<b>MRK5300D-S</b>		Master Rebuilder Kit (w/o Steels) ..... <b>AXOD-E</b> .....	1991
---	<b>MRK5300E-S<sup>1</sup></b>		Master Rebuilder Kit (w/o Steels) ..... <b>AXOD-E</b> .....	1992-95
---	<b>MRK5300G-S<sup>1,2,3</sup></b>		Master Rebuilder Kit (w/o Steels) ..... <b>AX4S / High Energy</b> .....	1996-98
---	<b>MRK5300H-S<sup>1,2,3</sup></b>		Master Rebuilder Kit (w/o Steels) ..... <b>AX4S / High Energy</b> .....	1999-03
---	<b>K5300-S</b>		Master Kit (w/o Steels) ..... <b>AXOD</b> .....	1986-90
---	<b>K5300D-S</b>		Master Kit (w/o Steels) ..... <b>AXOD-E</b> .....	1991
---	<b>K5300E-S<sup>1</sup></b>		Master Kit (w/o Steels) ..... <b>AXOD-E</b> .....	1992-95
---	<b>K5300G-S<sup>1,2,3</sup></b>		Master Kit (w/o Steels) ..... <b>AX4S / High Energy</b> .....	1996-98
---	<b>K5300H-S<sup>1,2,3</sup></b>		Master Kit (w/o Steels) ..... <b>AX4S / High Energy</b> .....	1999-03
<b>Steel Plate Sub-Kits:</b>				
---	<b>K5300-9</b>		Steel Plate Kit ..... <b>AXOD</b> .....	1986-87
---	<b>K5300A-9</b>		Steel Plate Kit ..... <b>AXOD</b> .....	1988
---	<b>K5300-9</b>		Steel Plate Kit ..... <b>AXOD</b> .....	1989-4/17/89
---	<b>K5300A-9</b>		Steel Plate Kit ..... <b>AXOD</b> .....	4/18/89-91
---	<b>K5300E-9</b>		Steel Plate Kit ..... <b>AXOD-E</b> .....	1992-95
---	<b>K5300G-9</b>		Steel Plate Kit ..... <b>1996 Taurus w/3.0L and All Windstar</b> .....	1996-97
---	<b>K5300G-9A</b>		Steel Plate Kit ..... <b>3.0L Taurus/Sable</b> .....	1997-98
---	<b>K5300G-9A</b>		Steel Plate Kit ..... <b>3.0L Windstar</b> .....	1998
---	<b>K5300G-9B</b>		Steel Plate Kit ..... <b>3.8L Windstar</b> .....	1998
---	<b>K5300H-9</b>		Steel Plate Kit ..... <b>All w/3.0 Litre</b> .....	1999-03
---	<b>K5300H-9A</b>		Steel Plate Kit ..... <b>All w/3.8 Litre</b> .....	1999-00
<p><sup>1</sup> Kits include replacement paper valve body gaskets (which can be extremely difficult to remove from the separator plate.) They do not include the complete bonded valve body plate, order <b>K53107</b> series if desired.</p> <p><sup>2</sup> Kits <b>do not</b> include the molded rubber pan and side cover gaskets, please order <b>K53175GR</b> separately.</p> <p><sup>3</sup> Windstar w/3.8 Litre utilize Molded Rubber Pistons, please order <b>K53900G-4</b> (96-8/97) or <b>K53900GA-4</b> (9/97-00.)</p>				
<b>OVERHAUL KITS AND GASKET KITS</b>				
---	<b>K53900</b>		Overhaul Kit ..... <b>AXOD</b> .....	1986-90
---	<b>K53900E<sup>1</sup></b>		Overhaul Kit ..... <b>AXOD-E</b> .....	1991-95
---	<b>K53900G<sup>1,2,3</sup></b>		Overhaul Kit ..... <b>AX4S</b> .....	1996-98
---	<b>K53900H<sup>1,2,3</sup></b>		Overhaul Kit ..... <b>AX4S</b> .....	1999-03
---	<b>K53900-1</b>		Gasket and Rubber Kit ( <b>AXOD</b> ) ..... <b>Duraprene</b> .....	1986-90
---	<b>K53900E-1<sup>1</sup></b>		Gasket and Rubber Kit ( <b>AXOD-E</b> ) ..... <b>Duraprene</b> .....	1991-95
---	<b>K53900G-1<sup>1,2,3</sup></b>		Gasket and Rubber Kit ( <b>AX4S</b> ) .....	1996-98
---	<b>K53900H-1<sup>1,2,3</sup></b>		Gasket and Rubber Kit ( <b>AX4S</b> ) .....	1999-03
---	<b>K53900-8</b>		Complete External Seal-Up Kit .....	1986-95
---	<b>K53900G-8<sup>2</sup></b>		Complete External Seal-Up Kit .....	1996-03
<b>GASKET AND RUBBER COMPONENTS</b>				
4A	<b>K53900E-3</b>		Valve Body Gasket Kit ( <b>AXOD-E/AX4S</b> ) .....	1991-98
4A	<b>K53900H-3</b>		Valve Body Gasket Kit ( <b>AX4S/4F46S</b> ) .....	1999-03
4A	<b>K53107EA<sup>4</sup></b>	1	Bonded Pump/VB Gaskets (Stamped 40) .... <b>Taurus / Sable w/3.0L</b> .....	1994-95
4A	<b>K53107EB<sup>4</sup></b>	1	Bonded Pump/VB Gaskets (Stamped 31) ..... <b>Taurus SHO</b> .....	1994-95
4A	<b>K53107EC<sup>4</sup></b>	1	Bonded Pump/VB Gaskets (Stamped 41) .. <b>Taurus / Sable w/3.8L</b> .....	1994-95
4A	<b>K53107ED<sup>4</sup></b>	1	Bonded Pump/VB Gaskets (Stamped 58) ..... <b>Windstar w/3.8L</b> .....	1995
4A	<b>K53107EF<sup>4</sup></b>	1	Bonded Pump/VB Gaskets (Stamped 53) ..... <b>Windstar w/3.0L</b> .....	1995
4A	<b>K53107GA<sup>4</sup></b>	1	Bonded Pump/VB Gaskets (Stamped 42 Rpl. 50, 63, 97) <b>All w/3.0L</b> .....	1996-97
4A	<b>K53107GB<sup>4</sup></b>	1	Bonded Pump/VB Gaskets (Stamped 47 Rpl. 67, 69) <b>All w/3.8L</b> .....	1996-97
4A	<b>K53107HA<sup>4</sup></b>	1	Bonded Pump/VB Gaskets (Stamped 98) .....	<b>All</b> .....
4A	<b>K53107HB<sup>4</sup></b>	1	Bonded Pump/VB Gaskets (Stamped 99 Rpl. 66) <b>All '99 Taurus/Sable, Some '99 Windstar</b> .....	1999
4A	<b>K53107HC<sup>4</sup></b>	1	Bonded Pump/VB Gaskets (Stamped 95, Rpl. 94) <b>Some '99 Windstar, 2000 Windstar</b> .....	1999-00
4A	<b>K53107HD<sup>4</sup></b>	1	Bonded Pump/VB Gaskets (Stamped 00) ..... <b>All Taurus/Sable</b> .....	2000-03
<p><sup>4</sup> Always confirm stamping number and match up the plates before installation.</p>				

# FORD AXOD, AXOD-E (AX4S, 4F46S) 4-Speed

ILL. NO.	PART NUMBER	PER CAR	DESCRIPTION	YEARS
<b>GASKET AND RUBBER COMPONENTS - Cont'd.</b>				
---	<b>K53175GR</b>	1	Oil Pan and Side Cover Gasket Kit ..... <b>Molded Rubber</b> .....	1996-03
5E	<b>53170</b>	1	Oil Pan Gasket ..... <b>Duraprene</b> .....	1986-95
5E	<b>53170GR</b>	1	Oil Pan Gasket ..... <b>Molded Rubber</b> .....	1996-03
6A	<b>53172A</b>	1	Side Cover Gasket ..... <b>Duraprene</b> .....	1986-95
6A	<b>53172GR</b>	1	Side Cover Gasket ..... <b>Molded Rubber</b> .....	1996-03
14A	<b>53106</b>	1	Chain Cover Gasket ..... .....	1986-99
14A	<b>53106H</b>	1	Chain Cover Gasket ..... .....	2000-03
15A	<b>3410L</b>	2	Electrical Connector O'Ring ..... .....	1986-92
15A	<b>53127F</b>	1	Electrical Connector O'Ring ..... .....	1993-03
16A	<b>53130</b>	1	Turbine Shaft O'Ring (1.010") ..... <b>23 Splines</b> .....	1991-94
16A	<b>53130F</b>	1	Turbine Shaft O'Ring (1.065") ..... <b>25 Splines</b> .....	1994-03
18D	<b>53125</b>	1	Governor Cover O'Ring ..... .....	1986-98
18D	<b>53125H</b>	1	Governor Cover ( <b>Bonded Rubber</b> ) ..... .....	1999-03
20E	<b>44141</b>	1	Oil Filler Tube Seal ..... .....	1986-03
21E	<b>53123</b>	1	O/D Servo Cover Lathe Cut Seal ..... <b>White</b> .....	1986-03
21E	<b>53123A</b>	1	O/D Servo Cover Lathe Cut Seal ..... <b>No Color</b> .....	1986-03
22E	<b>53109A</b>	1	Low & Intermediate Servo Cover Gasket ..... <b>Beaded</b> .....	1986-03
22E	<b>53121</b>	1	Low & Intermediate Servo Cover O'Ring ..... .....	1986-03
---	<b>45141</b>	1	Detent Cable Seal ..... <b>Multi-Lip</b> .....	1986-90
---	<b>45125</b>	1	Rear Lube Tube Seal ..... .....	1986-92
---	<b>53195F</b>	1	Rear Lube Tube Seal ( <b>Orange</b> ) ..... .....	1993-03
---	<b>37140</b>	AR	Valve Body Check Ball ..... <b>5/16" - Viton</b> .....	1986-03
<b>CLUTCH PLATES</b>				
45B	<b>53304</b>	3	Forward Friction ..... <b>52T, .065" - 4.488" I.D.</b> .....	1986-91
45B	<b>53304E</b>	3-4	Forward Friction ..... <b>57T, .065" - 4.645" I.D.</b> .....	1992-03
46B	<b>53309</b>	3	Forward Steel ( <b>4.718" I.D.</b> ) ..... <b>34T, .070" - 4.709" I.D.</b> .....	1986-91
46B	<b>53309E</b>	3-4	Forward Steel ( <b>4.921" I.D.</b> ) ..... <b>34T, .070" - 4.952" I.D.</b> .....	1992-03
47B	<b>53305B</b>	1	Forward Cushion ( <b>Waved</b> ) ..... <b>21T, .075"</b> .....	1986-91
47B	<b>53309B</b>	1	Forward Cushion ( <b>Waved</b> ) ..... <b>21T, .083"</b> .....	1992-03
49B	<b>53308</b>	4	Direct Friction ..... <b>63T, .063" - 5.748" O.D.</b> .....	1986-95
49B	<b>53308N</b>	3-4	Direct Friction ( <b>High Energy</b> ) ..... <b>63T, .063" - 5.748" O.D.</b> .....	1996-03
50B	<b>53309</b>	4	Direct Steel ..... <b>34T, .070" - 4.709" I.D.</b> .....	1986-95
50B	<b>53309N</b>	4	Direct Steel ( <b>Kolene</b> ) ..... <b>.070"</b> .....	1996-03
50B	<b>53309PK</b>	3-4	Direct Steel ( <b>Kolene</b> ) ..... <b>.093"</b> .....	1997-98
50B	<b>53309P</b>	3-4	Direct Steel ..... <b>32T, .093" - 4.709" I.D.</b> .....	1999-03
52C	<b>53308</b>	4	Intermediate Friction ..... <b>63T, .063" - 5.748" O.D.</b> .....	1986-95
52C	<b>53308N</b>	4-5	Intermediate Friction ( <b>High Energy</b> ) ..... <b>63T, .063" - 5.748" O.D.</b> .....	1996-03
53C	<b>53305</b>	4	Intermediate Steel ..... <b>.090"</b> .....	1986-87
53C	<b>53309</b>	4	Intermediate Steel ..... <b>34T, .070" - 4.709" I.D.</b> .....	1988
53C	<b>53305</b>	4	Intermediate Steel ( <b>Before 4/18/89</b> ) ..... <b>.090"</b> .....	1989
53C	<b>53309</b>	4	Intermediate Steel ( <b>After 4/18/89</b> ) ..... <b>34T, .070" - 4.709" I.D.</b> .....	1989-95
53C	<b>53309N</b>	4	Intermediate Steel ( <b>exc. '98 w/3.8L</b> ) ..... <b>Kolene - .070"</b> .....	1996-98
53C	<b>53309PK</b>	4	Intermediate Steel ( <b>3.8 Litre</b> ) ..... <b>Kolene - .093"</b> .....	1998
53C	<b>53309P</b>	4-5	Intermediate Steel ( <b>3.8 Litre</b> ) ..... <b>32T, .093" - 4.709" I.D.</b> .....	1999-00
53C	<b>53309</b>	4-5	Intermediate Steel ( <b>3.0 Litre</b> ) ..... <b>34T, .070" - 4.709" I.D.</b> .....	1999-03
56C	<b>53321</b>	4	Reverse Friction ..... <b>49T, .069" - 5.984" O.D.</b> .....	1986-03
57C	<b>53322</b>	4	Reverse Steel ..... <b>54T, .070" - 4.803" I.D.</b> .....	1986-03
57C	<b>53322P</b>	AR	Reverse Steel ..... <b>52T, .059" - 4.803" I.D.</b> .....	1986-03
<b>BANDS</b>				
58B	<b>53714</b>	1	Overdrive ..... <b>In MRK Kits</b> .....	1986-03
59D	<b>53720</b>	1	Low & Intermediate ..... .....	1986-94
59D	<b>53720J</b>	1	Low & Intermediate ( <b>Use w/Mercon "5" Fluid, SBMV or LGMV Additive</b> ) .....	1995-03

AXOD / AX4S

# FORD AXOD, AXOD-E (AX4S, 4F46S) - Cont'd.

ILL. NO.	PART NUMBER	PER CAR	DESCRIPTION	YEARS
<b>METAL CLAD SEALS</b>				
60D	<b>53526</b>	1	Converter Hub .....	1986-03
61A,D	<b>53551</b>	2	Axle .....	1986-03
---	<b>53507</b>	1	Manual Lever Shaft .....	1986-03
---	<b>53150</b>	1	Pump Shaft .....	1986-03
<b>BUSHINGS</b>				
---	<b>K53980F</b>	1	Bushing Kit ( <b>* Not Included</b> ) .....	1986-4/95
---	<b>K53980N</b>	1	Bushing Kit ( <b>+ Not Included</b> ) .....	5/95-03
62D	<b>53005*+</b>	1	Converter Hub ( <b>In Converter</b> ) .....	1986-03
63A	<b>46010</b>	1	Stator Support .....	1986-03
64B	<b>53009</b>	1	Driven Sprocket Support .....	1986-03
65B	<b>53007</b>	1	Overdrive Brake Drum .....	1986-On
66B	<b>53010</b>	1	Direct Roller Clutch Inner Race ..... <b>.560" Wide</b> .....	1986-4/95
66B	<b>53010N</b>	1	Direct Roller Clutch Inner Race (Grob) ..... <b>.660" Wide</b> .....	5/95-03
67C	<b>53006</b>	1	Direct Intermediate Clutch Drum .....	1986-03
68C	<b>53004</b>	2	Forward Sun Gear ..... <b>1.586" O.D.</b> .....	1986-93
68C	<b>53004F</b>	1	Forward Sun Gear (Grob) ..... <b>1.617" O.D.</b> .....	1994-03
69C	<b>53011+</b>	1	Front Planetary ( <i>Early Planetary Only</i> ) .....	1986-93
70C	<b>53001</b>	1	Rear Planetary .....	1986-03
71D	<b>53002</b>	1	Rear Sun Gear w/Drum Assembly ..... <b>1.975" O.D.</b> .....	1986-93
71D	<b>53002F<sup>5</sup></b>	1	Rear Sun Gear w/Drum Assembly ..... <b>2.005" O.D.</b> .....	1994-03
<sup>5</sup> Some 1994-95 units use a Bearing on the Rear Planetary Support instead of a Bushing in the Rear Sun Gear Assembly. The Bearing is <i>Not Serviceable</i> .				
72D	<b>53013*</b>	2	Rear Planetary Support .....	1986-4/95
72D	<b>53013A</b>	1	Rear Planetary Support ..... <b>One-Piece Type</b> .....	1988-03
73D	<b>53012</b>	1	Final Drive Sun Gear .....	1986-03
74D	<b>53003</b>	1	Rear Case .....	1986-03
75A	<b>53050* +</b>	1	Valve Body Pilot Sleeve .....	1986-03
---	<b>53051* +</b>	1	Chain Cover Repair Sleeve ..... <b>Use with K53913 Boring Tool</b> .....	1986-03
<b>THRUST WASHERS AND BEARINGS</b>				
---	<b>K53940</b>	1	Thrust Washer Kit ( <b>w/o Selectives</b> ) .....	1986-95
---	<b>K53940G</b>	1	Thrust Washer Kit ( <b>w/o Selectives</b> ) .....	1996-03
---	<b>K53940A</b>	1	Washer Kit ( <b>Selectives - 53400 thru 53400C</b> ) .....	1986-03
---	<b>K53940B</b>	1	Washer Kit ( <b>Selectives - 53401 thru 53401C</b> ) .....	1986-03
---	<b>K53940C</b>	1	Washer Kit ( <b>Selectives - 53406 thru 53406B</b> ) .....	1986-03
---	<b>K53941</b>	1	Thrust Needle Bearing Kit ( <b>* Not Included</b> ) .....	1986-03
<b>Washers:</b>				
83A	<b>53402</b>	2	Drive Sprocket ( <b>Non-Symmetrical 3-Tab</b> ) ..... <b>Front &amp; Rear</b> .....	1986-95
83A	<b>53402N</b>	2	Drive Sprocket ( <b>Symmetrical 3-Tab</b> ) ..... <b>Front &amp; Rear</b> .....	1996-03
84A	<b>53407</b>	1	Chain Cover ( <b>Metal</b> ) ..... <b>3 Tabs - 3.00" O.D.</b> .....	1986-95
84A	<b>53407N</b>	1	Chain Cover ( <b>Plastic</b> ) ..... <b>3 Tabs - 3.00" O.D.</b> .....	1996-03
85A	<b>53403</b>	1	Driven Sprocket ..... <b>3 Tabs - 3.218" O.D.</b> .....	1986-03
87B	<b>53400</b>	AR	Driven Sprocket Support (Front) ..... <b>Green - .088"</b> .....	1986-03
87B	<b>53400A</b>	AR	Driven Sprocket Support (Front) ..... <b>Black - .098"</b> .....	1986-03
87B	<b>53400B</b>	AR	Driven Sprocket Support (Front) ..... <b>Natural - .107"</b> .....	1986-03
87B	<b>53400C</b>	AR	Driven Sprocket Support (Front) ..... <b>Red - .117"</b> .....	1986-03
88B	<b>53401</b>	AR	Driven Sprocket Support (Rear) ..... <b>Natural - .059"</b> .....	1986-03
88B	<b>53401A</b>	AR	Driven Sprocket Support (Rear) ..... <b>Green - .067"</b> .....	1986-03

# FORD AXOD, AXOD-E (AX4S, 4F46S) - Cont'd.

ILL. NO.	PART NUMBER	PER CAR	DESCRIPTION	YEARS
<b>THRUST WASHERS AND BEARINGS - Cont'd.</b>				
88B	<b>53401B</b>	AR	Driven Sprocket Support (Rear) ..... <b>Blue - .078"</b> .....	1986-03
88B	<b>53401C</b>	AR	Driven Sprocket Support (Rear) ..... <b>Red - .087"</b> .....	1986-03
90B	<b>53404N</b>	1	Forward Clutch ..... <b>4 Round Tabs - 6 Grooves</b> .....	1986-03
91B	<b>53405</b>	1	Direct Clutch Cylinder .....	1986-03
92E	<b>53406</b>	AR	Differential Carrier ..... <b>Red - .047"</b> .....	1986-03
92E	<b>53406A</b>	AR	Differential Carrier ..... <b>Blue - .057"</b> .....	1986-03
92E	<b>53406B</b>	AR	Differential Carrier ..... <b>Brown - .067"</b> .....	1986-03
<b>Bearings:</b>				
94B	<b>53420</b>	1	Direct Clutch Hub .....	1986-03
95C	<b>53421</b>	2	Intermediate Clutch Hub ..... <b>Front &amp; Rear</b> .....	1986-03
97C	<b>53422</b>	1	Front Planetary ..... <b>Between Planets</b> .....	1986-03
---	<b>53435</b>	1	Forward Planetary (Caged) ..... <b>Inside Planetary, Use w/53911 Tool</b> .....	1986-03
98D	<b>53423</b>	1	Rear Sun Gear (exc. SHO & Police) ..... <b>Rear</b> .....	1986-03
98D	<b>53423F*</b>	1	Rear Sun Gear (SHO & Police) ..... <b>Rear</b> .....	1993-03
99D	<b>53424</b>	1	Final Drive Gear ..... <b>Front</b> .....	1986-03
100E	<b>53425</b>	1	Final Drive Gear ..... <b>Rear -2.355" O.D.</b> .....	1986-03
100E	<b>53425N</b>	1	Final Drive Gear (Some Models) ..... <b>Rear -2.255" O.D.</b> .....	2001-03
102E	<b>53426</b>	1	Differential Carrier to Case .....	1986-03
103A	<b>53430*</b>	1	Pump Shaft Roller Bearing ..... <b>In Pump Body</b> .....	1986-03
103A	<b>K53430*</b>	1	Pump Shaft Roller Bearing and Seal ..... <b>1.000" O.D.</b> .....	1986-03
103A	<b>53430A*</b>	1	Pump Shaft Roller Bearing w/Integral Seal ( <b>1.000" O.D. - Late Design</b> ) .....	1986-03
104A	<b>52430*</b>	1	Drive Sprocket Support ( <b>Caged</b> ) .....	1986-03
105A	<b>53431*</b>	1	Driven Sprocket Support ( <b>Caged</b> ) .....	1986-03
106D	<b>53427</b>	1	Governor Cover ..... <b>1.068" O.D.</b> .....	1986-90
* Not included in bearing kit.				
<b>SEALING RINGS</b>				
---	<b>K53901</b>	1	Sealing Ring Kit ( <b>* Not Included</b> ) .....	1986-03
113A	<b>53202T</b>	2	Front Pump Shaft ( <b>Front</b> ) ..... <b>Teflon</b> .....	1986-03
114A	<b>53203T</b>	2	Front Pump Shaft ( <b>Rear</b> ) ..... <b>Teflon</b> .....	1986-03
115A	<b>53200A</b>	1	Turbine Shaft ( <b>Front</b> ) ..... <b>Seal Plated</b> .....	1986-03
116A	<b>53201T</b>	1	Turbine Shaft ( <b>Rear</b> ) ..... <b>Teflon</b> .....	1986-03
117A	<b>53204*</b>	5	Driven Sprocket Support ..... <b>Metal</b> .....	1986-03
117A	<b>53204T</b>	5	Driven Sprocket Support ..... <b>Teflon</b> .....	1986-03
---	<b>53206T</b>	1	Governor ..... <b>Teflon</b> .....	1986-03
<b>TRANSMISSION OIL FILTERS</b>				
123E	<b>53600</b>	1	Oil Filter ( <b>.250" Orange Seal</b> ) ..... <b>All Except SHO</b> .....	1986-95
123E	<b>53600A</b>	1	Oil Filter ( <b>.500" Orange Seal</b> ) ..... <b>SHO Only</b> .....	1993-95
123E	<b>53600G</b>	1	Oil Filter ( <b>.418" Green Seal</b> ) ..... <b>All</b> .....	1996-03
124E	<b>ATK-90</b>	1	Oil Filter Kit ..... <b>All Except SHO</b> .....	1986-95
124E	<b>ATK-143</b>	1	Oil Filter Kit ..... <b>SHO Only</b> .....	1993-95
124E	<b>ATK-178</b>	1	Oil Filter Kit ..... <b>All</b> .....	1996-03
---	<b>53610*</b>	1	TCC (Bypass) Solenoid Screen ( <b>In Valve Body</b> ) .....	1986-03
---	<b>53611*</b>	1	Low/Intermediate Screen ( <b>In the Case, Under the Channel Cover</b> ) .....	1986-03
* Please See Page 2.32-2 for Visual Identification.				
<b>SPRINGS</b>				
126D	<b>53771AY</b>	1	1-2 Outer Accumulator ( <b>Yellow</b> ) .....	1986-03
126D	<b>53771AB</b>	1	1-2 Outer Accumulator ( <b>Brown</b> ) .....	1988-03
127D	<b>53771CB</b>	1	1-2 Center Accumulator ( <b>Brown, Pink or Purple</b> ) .....	1988-03

AXOD / AX4S

# FORD AXOD, AXOD-E (AX4S, 4F46S) - Cont'd.

ILL. NO.	PART NUMBER	PER CAR	DESCRIPTION	YEARS
<b>SPRINGS - Cont'd.</b>				
128D	<b>53771BY</b>	1	1-2 Inner Accumulator ( <b>Yellow</b> ) .....	1986-03
128D	<b>53771BB</b>	1	1-2 Inner Accumulator ( <b>Brown</b> ) .....	1988-03
128D	<b>53771HD</b>	1	1-2 Inner Accumulator ( <b>For Firmer 1-2 Shift</b> ) .....	1986-03
129D	<b>53773AG</b>	1	3-4 Outer Accumulator ( <b>Green</b> ) .....	1986-03
129D	<b>53773AW</b>	1	3-4 Outer Accumulator ( <b>White</b> ) .....	1989-03
129D	<b>53773AY</b>	1	3-4 Outer Accumulator ( <b>Yellow</b> ) .....	1998-03
130D	<b>53773BG</b>	1	3-4 Inner Accumulator ( <b>Green</b> ) .....	1986-03
131D	<b>53770AR</b>	1	N-D Outer Accumulator ( <b>Orange</b> ) .....	1986-03
131D	<b>53770AG</b>	1	N-D Outer Accumulator ( <b>Green</b> ) .....	1998-03
132D	<b>53770BB</b>	1	N-D Inner Accumulator ( <b>Blue</b> ) .....	1986-03
133E	<b>53752</b>	1	Low/Intermediate Servo Piston ..... <b>Aftermarket - Addresses 2-3 Flare</b> .....	1986-03
<b>DRIVE CHAINS</b>				
135A	<b>53888</b>	1	3/4" - 86 Round Links ..... <b>All exc. Below</b> .....	1986-03
135A	<b>53888B</b>	1	7/8" - 86 Round Links ..... <b>1988 3.8 Litre Only</b> .....	1988
135A	<b>53888G</b>	1	3/4" - 88 Round Links ..... <b>Windstar w/3.8 Litre Only</b> .....	1996-00
135A	<b>53888N</b>	1	3/4" - 86 <i>Rocker</i> Links ..... <b>Taurus SHO Only</b> .....	1993-95
<b>SPRAGS AND ROLLER CLUTCHES</b>				
139B	<b>53814</b>	1	Low Clutch Sprag Assembly ( <b>26 Elements</b> ) .....	1986-03
139B	<b>37815<sup>6</sup></b>	1	Low Clutch Sprag Assembly ( <b>34 Elements</b> ) .....	1986-03
<sup>6</sup> Use in High Performance Application - Must Use Original Washers.				
140B	<b>53815</b>	1	Direct Clutch Roller Assembly (exc. Below) .. <b>Blue Cage - .500"</b> .....	1986-03
140B	<b>53815N</b>	1	Direct Clutch Roller Assembly (Taurus SHO) .. <b>Gray Cage - .585"</b> .....	1993-95
140B	<b>53815N</b>	1	Direct Clutch Roller Assembly (3.8L Windstar) <b>Gray Cage - .585"</b> .....	2000
<b>PISTONS</b>				
---	<b>K53900G-4</b>	1	Molded Rubber Piston Kit ..... <b>Windstar w/3.8 Litre</b> .....	1996-97
---	<b>K53900GA-4</b>	1	Molded Rubber Piston Kit ..... <b>Windstar w/3.8 Litre</b> .....	1998-00
141B	<b>53841HD</b>	1	Forward Clutch Piston (except SHO) ..... <b>Heavy Duty - Steel</b> .....	1986-03
141B	<b>53841A</b>	1	Forward Clutch Piston (SHO) ..... <b>Steel</b> .....	1993-95
141B	<b>53841N</b>	1	Forward Clutch Piston (Windstar w/3.8 Litre) .... <b>Molded Rubber</b> .....	1996-97
141B	<b>53841J</b>	1	Forward Clutch Piston (Windstar w/3.8 Litre) .... <b>Molded Rubber</b> .....	1998-00
142B	<b>53843</b>	1	Direct Clutch Piston ..... <b>Aluminum</b> .....	1986-03
142B	<b>53843N<sup>7</sup></b>	1	Direct Clutch Piston (Windstar w/3.8 Litre) ..... <b>Molded Rubber</b> .....	1996-00
143C	<b>53842N<sup>7</sup></b>	1	Intermediate Piston (Windstar w/3.8 Litre) ..... <b>Molded Rubber</b> .....	1996-00
---	<b>53846N<sup>7</sup></b>	1	Intermediate Balance Piston (Windstar w/3.8 Litre) <b>Molded Rubber</b> .....	1996-00
145E	<b>53828</b>	1	Overdrive Servo Piston ( <b>Slip-Fit</b> ) ..... <b>Molded Rubber</b> .....	1986-97
145E	<b>53828J</b>	1	Overdrive Servo Piston w/o Rod... <b>Universal, Press-Fit - Molded Rubber</b> .....	1998-03
145E	<b>53828JA</b>	1	Overdrive Servo Piston w/3.500" Rod .... <b>2 Groove, Molded Rubber</b> .....	1998-03
145E	<b>53828JB</b>	1	Overdrive Servo Piston w/3.550" Rod .... <b>1 Groove, Molded Rubber</b> .....	1998-03
145E	<b>53828JC</b>	1	Overdrive Servo Piston w/3.600" Rod . <b>No Grooves, Molded Rubber</b> .....	1998-03
146E	<b>53828L</b>	1	Low/Intermediate Servo Piston ( <b>Sonnax</b> ) ..... <b>Aluminum</b> .....	1986-03
<sup>7</sup> Also fits Taurus SHO from 1993-95. The 53843N Direct Clutch Piston for 1993 SHO requires an apply ring, please order 53663N separately.				

# FORD AXOD, AXOD-E (AX4S, 4F46S) - Cont'd.

ILL. NO.	PART NUMBER	PER CAR	DESCRIPTION	YEARS
<b>SHIFT ENHANCEMENT, LUBE AND VALVE PACKAGES</b>				
<b><u>AXOD:</u></b>				
---	<b>K53944</b> <sup>8</sup>	1	Shift Calibration and Lube Upgrade Kit ..... <b>TransGo</b> ..... <sup>8</sup> Prevents Planetary "Meltdown," Includes Valve Body Aligning Tools.	1986-90
---	<b>ST53944</b>	1	Shift Correction Package ..... <b>Superior</b> .....	1986-90
---	<b>ST53943</b>	1	"The Lube Dam" Planet Lube Upgrade Kit ..... <b>Superior</b> .....	1986-90
---	<b>K53942</b> <sup>9</sup>	1	1-2 Capacity Modulator Springs and Sherlock Clips ..... <sup>9</sup> Corrects Soft 1-2 Shift / Kit Includes Enough for 5 Jobs.	1986-90
<b><u>AXOD-E/AX4S:</u></b>				
---	<b>K53944E</b>	1	Shift Calibration and Lube Upgrade Kit ..... <b>TransGo</b> .....	1991-03
---	<b>K53943E</b>	1	Jr. Shift Kit ..... <b>TransGo, 1995-00 Windstar &amp; All 1996 AXOD-E/AX4S</b> .....	1996-03
---	<b>ST53944E</b>	1	Shift Correction Package ..... <b>Superior</b> .....	1991-03
---	<b>K53944ERT</b>	1	Valve Body Kit ..... <b>RatioTek</b> .....	1991-03
---	<b>SC-AXODE</b>	1	Sure Cure Kit ..... <b>Sonnax</b> .....	1991-03
---	<b>ST53943</b>	1	"The Lube Dam" ..... <b>Superior</b> .....	1991-03
---	<b>K53849E</b> <sup>10</sup>	1	OE Lube Correction Package ..... <b>Factory Upgraded in mid-92</b> ..... <sup>10</sup> This kit includes two redesigned lube tubes.	1991-93
---	<b>K53849F</b> <sup>11</sup>	1	OE Lube Correction Package ..... <b>Factory Upgraded in mid-93</b> ..... <sup>11</sup> Includes Double Stepped Style Lube Tube and an Upgraded Rear Support.	1991-98
---	<b>K53768E</b>	1	Pressure Regulator Springs ( <b>Sonnax, Elevated Line Pressure, 20 Springs</b> ).....	1991-03
---	<b>K53989W</b> <sup>12</sup>	1	Pressure Regulator Valve Kit ( <b>Oversized, Use w/K53589W Tool Kit</b> ) .....	1991-03
---	<b>K53889</b> <sup>12</sup>	1	Pressure Regulator Boost Plug and Spool Kit ( <b>3.8 Litre or Firmer Shifting 3.0 Litre</b> ) .	1986-03
---	<b>K53889A</b> <sup>12</sup>	1	Pressure Regulator Boost Plug and Spool Kit ( <b>3.0 Liter</b> ) ..... <sup>12</sup> Addresses Line Pressure Instability, Works on AXOD and AXOD-E/AX4S.	1986-03
---	<b>K53887</b> <sup>13</sup>	1	T.C.C. Clutch Control Sleeve and Plunger Kit ..... ( <b>AXOD</b> ) .....	1986-90
---	<b>K53887E</b> <sup>13</sup>	1	T.C.C. Clutch Control Sleeve and Plunger Kit ( <b>AXOD-E / AX4S</b> ) ..... <sup>13</sup> Improves T.C.C. Apply/Release and Cooler/Lube Pressure.	1991-03
---	<b>K53987E</b>	1	TCC (Bypass) Clutch Control Valve Kit ( <b>Sonnax, Oversized, Use w/K53587E Tool</b> ) ...	1991-03
---	<b>K53883E</b>	1	Converter Regulator Valve Kit ( <b>Sonnax, Oversized, Use w/K53583E Tool Kit</b> ) .....	1991-03
---	<b>K53884E</b>	1	Solenoid Regulator Valve Kit ( <b>Sonnax, Oversized, Use w/K53584E Tool Kit</b> ) .....	1991-03
---	<b>K53886</b>	1	Forward Clutch Control Valve Kit ( <b>Sonnax, Use w/53586 Tool</b> ) .....	1986-03
---	<b>53581W</b>	1	1-2 Capacity Modulator Bore Sizing Tool ( <b>Sonnax - Renews Bore, Use OEM Valve</b> ) .....	1986-03
---	<b>K53882W</b>	1	3-2 Valve Body Retaining Clip ( <b>AXOD-E</b> ) ..... Updated .....	1991-03
---	<b>K53885W</b>	1	3-2 Shift timing Valve Kit ( <b>Use w/53585W Bore Sizing Tool, No Upshift, 3-2 Neutral</b> ) .....	1991-03
---	<b>53896</b> <sup>14</sup>	1	Manual Valve ( <b>Aftermarket Design</b> ) ..... <sup>14</sup> Cures delayed forward clutch engagement and low forward clutch PSI.	1986-03
<b>ELECTRONIC COMPONENTS</b>				
<b><u>AXOD:</u></b>				
---	<b>53870U</b>	1	Lock-up Solenoid ( <b>T.C.C.</b> ) ..... <b>Rostra</b> .....	1986-90
---	<b>53873</b>	1	4-3 Converter Bypass Switch ..... <b>Silver Body</b> .....	1986-90
---	<b>53873</b>	1	3-2 Pressure Switch ..... <b>Silver Body</b> .....	1986-90
---	<b>53877</b>	1	Neutral Pressure Switch ..... <b>Gold Body</b> .....	1986-90
---	<b>53869</b>	1	Internal Wiring Harness ..... <b>w/3.0 Litre</b> .....	1986-90
---	<b>53869A</b>	1	Internal Wiring Harness ..... <b>w/3.8 Litre</b> .....	1986-90
---	<b>37876</b>	1	Vehicle Speed Sensor ..... <b>w/Speedo-Cable</b> .....	1986-90
---	<b>53876E</b>	1	Vehicle Speed Sensor ..... <b>w/o Speedo-Cable</b> .....	1986-90
<b><u>AXOD-E/AX4S:</u></b>				
153A	<b>53879</b>	1	Pressure Control Solenoid ( <b>EPC</b> ) ..... <b>OEM</b> .....	1991-03
154A	<b>53870E</b>	1	On/Off Lock-up Solenoid ..... <b>Square Shape</b> .....	1991

AXOD / AX4S



# FORD AXOD, AXOD-E (AX4S, 4F46S) - Cont'd.

ILL. NO.	PART NUMBER	PER CAR	DESCRIPTION	YEARS
<b>ELECTRONIC COMPONENTS - Cont'd.</b>				
154A	<b>53870M</b>	1	PWM Lock-up Solenoid ..... <b>Round Shape, 1-3 Ohms (White Connector)</b> .....	1991-97
154A	<b>53870P</b>	1	PWM Lock-up Solenoid ..... <b>Round Shape, 10-14 Ohms (Blue Connector)</b> .....	1998-03
155A	<b>53871</b>	3	Shift Solenoid .....	1991-03
156A	<b>53878T</b>	1	Transmission Temperature Sensor <b>(TOT)</b> .....	1991-03
157A	<b>53869D</b>	1	Internal Wiring Harness ..... <b>Side Connector - White</b> .....	1991-92
157A	<b>53869E</b>	1	Internal Wiring Harness ..... <b>Top Connector - Black</b> .....	1991-92
157A	<b>53869F</b>	1	Internal Wiring Harness ..... <b>Top Connector Units Only - Gray</b> .....	1993-03
158A	<b>53875</b>	1	Turbine Speed Sensor <b>(TISS)</b> ..... <b>w/Two O'Rings and Oval Connector</b> .....	1991-00
158A	<b>53875J</b>	1	Turbine Speed Sensor <b>(TISS)</b> ..... <b>w/One O'Ring and Square Connector</b> .....	2001-03
159D	<b>K53877A</b>	1	Manual Lever Position Sensor ..... <b>Updated Connector/8-Pin Analog</b> .....	1991-97
159D	<b>53877A</b>	1	Manual Lever Position Sensor ..... <b>8-Pin Analog</b> .....	1995-97
159D	<b>53877J</b>	1	Transmission Range Sensor <b>(TRS)</b> ..... <b>10-Pin - Digital</b> .....	1998-03
160D	<b>37876</b>	1	Vehicle Speed Sensor ..... <b>w/Speedo-Cable</b> .....	1991-99
160D	<b>53876E</b>	1	Vehicle Speed Sensor ..... <b>w/o Speedo-Cable</b> .....	1991-99
160D	<b>53876H</b>	1	Output Shaft Speed Sensor <b>(TOSS)</b> ..... <b>Some Models</b> .....	1999
160D	<b>53876H</b>	1	Output Shaft Speed Sensor <b>(TOSS)</b> .....	2000-03
---	<b>53855VC</b>	1	Vehicle Speed Sensor Repair Harness ..... <b>Vehicle Harness Side</b> .....	1991-99
---	<b>47859EVC</b>	1	Case Connector Repair Harness Kit ..... <b>Vehicle Harness Side</b> .....	1993-03
<b>HARD PARTS AND MISCELLANEOUS</b>				
<b><u>Pump Components:</u></b>				
161A	<b>53825U</b>	1	Pump Cover <b>(Universal Fit)</b> .....	1986-03
162A	<b>53818</b>	1	Pump Slide .....	1986-03
163A	<b>53817</b>	1	Pump Rotor .....	1986-03
164A	<b>53823</b>	7	Pump Vane .....	1986-03
---	<b>K53820</b>	1	Vane & Ring Kit .....	1986-03
165A	<b>53222</b>	2	Pump Vane Rings .....	1986-03
---	<b>K53824</b>	1	Pump Slide Pivot Pin <b>(Bag Of 5)</b> .....	1986-03
<b><u>Miscellaneous:</u></b>				
---	<b>K53881</b>	1	V.B Relief Valve Kit <b>(Sonnax)</b> .....	1986-03
166D	<b>53781</b>	1	1-2 Accumulator Piston .....	1986-03
166D	<b>K53781W</b>	1	1-2 Accumulator Piston, Repair Sleeve and Viton O'Ring Kit .....	1986-03
167D	<b>53783</b>	1	3-4 Accumulator Piston .....	1986-03
167D	<b>K53783W</b>	1	3-4 Accumulator Piston, Repair Sleeve and Viton O'Ring Kit .....	1986-03
168D	<b>53780</b>	1	N-D Accumulator Piston .....	1986-03
168D	<b>K53780W</b>	1	N-D Accumulator Piston, Repair Sleeve And Viton O'Ring Kit .....	1986-03
169D	<b>53741</b>	3	Accumulator Piston Shaft .....	1986-03
170E	<b>53793</b>	4	Low & O/D Servo Rod E-Clip ..... <b>Two Per Rod</b> .....	1986-03
170E	<b>K53793W</b>	1	Low & O/D Servo Retaining Clip Kit ..... <b>Sonnax, 5 Clips</b> .....	1986-03
171E	<b>K53732W</b>	1	Low Servo Pin <b>(Sonnax)</b> ..... <b>Longer w/O'Ring, Includes Retaining Clip</b> .....	1986-03
171E	<b>53732EP</b>	1	Low Servo Extendo-Pin <b>(FitzAll)</b> .....	1986-03
172D	<b>53914E</b>	1	Speedo Driven Gear <b>(13 Teeth on Shaft)</b> .....	1991-03
173E	<b>53915</b>	1	Governor/Speedo Drive Gear <b>(42 Teeth - On Differential)</b> .....	1986-03
175A	<b>M123</b>	2	Cooler Line Case Fitting <b>(Quick Connect - 5/16" Tube)</b> .....	1993-03
175A	<b>M125</b>	2	Cooler Line Case Fitting <b>(Quick Connect - 3/8" Tube)</b> .....	1993-03

# FORD AXOD, AXOD-E (AX4S, 4F46S) - Cont'd.

ILL. NO.	PART NUMBER	PER CAR	DESCRIPTION	YEARS
<b>HARD PARTS - Cont'd.</b>				
<b>Note : When ordering Hard Parts, please add the appropriate suffix : (-R) Reman, (-U) Used, (-A) Aftermarket.</b>				
190A	<b>53816</b>	1	Pump Drive Shaft .....	1986-03
194A	<b>53812</b>	1	Stator Support Shaft .....	1986-03
200B	<b>53804</b>	1	Overdrive Brake Drum ( <b>Lug Style</b> ) .....	1986-4/95
200B	<b>53804N</b>	1	Overdrive Brake Drum ( <b>Grob Style</b> ) .....	5/95-03
---	<b>K53804G<sup>15</sup></b>	1	O/D Drum, Inner Race and Plate, and Sun Shell Kit .....	1994-03
<sup>15</sup> <b>This Grob Style Service Kit requires the late style front planet.</b>				
205B	<b>53867G</b>	1	Direct One Way Clutch Inner Race and Plate ( <b>Grob Style</b> ) .....	5/95-03
---	<b>53663N</b>	1	Direct Clutch Piston Apply Ring ( <b>SHO</b> ) ..... <b>Use w/53843N</b> .....	1993
207C	<b>53839F</b>	1	Intermediate Hub ( <b>1.10"</b> ) .....	1993-03
208C	<b>53810</b>	1	Sun Shell ( <b>6 Lugs</b> ) .....	1986-4/95
208C	<b>53810N</b>	1	Sun Shell ( <b>Grob Style - 36 Lugs</b> ) .....	5/95-03
---	<b>K53833<sup>16</sup></b>	1	Sun Shell and Front Planetary Kit ( <b>OEM, 6-Lug Style</b> ) .....	1986-4/95
<sup>16</sup> <b>Includes Ill # 208C &amp; 213C.</b>				
---	<b>K53835<sup>17</sup></b>	1	Sun Shell, Front Planet and Rear Planetary Kit ( <b>w/6-Lug Shell</b> ) .....	1986-4/95
---	<b>K53835H<sup>17</sup></b>	1	Sun Shell, Front Planet and Rear Planetary Kit ( <b>w/36-Lug Shell</b> ) .....	5/95-5/14/01
---	<b>K53835J<sup>17</sup></b>	1	Sun Shell, Front Planet and Rear Planetary Kit ( <b>w/36-Lug Shell</b> ) .....	5/15/01-03
<sup>17</sup> <b>Includes Ill # 208C, 213C &amp; 214C.</b>				
211C	<b>53806</b>	1	Reverse Clutch Cylinder .....	1986-03
212C	<b>53259</b>	1	Rear Ring Gear Snap Ring ( <b>Thicker</b> ) .....	1986-03
213C	<b>53833</b>	1	Front Planetary .....	1986-03
214C	<b>53831</b>	1	Reverse (Rear) Planetary ( <b>33 Splines</b> ) .....	1986-5/14/01
214C	<b>53831J</b>	1	Reverse (Rear) Planetary ( <b>45 Splines</b> ) .....	5/15/01-03
214C	<b>K53831J</b>	1	Reverse (Rear) Planetary w/Final Drive Sun Gear ( <b>45 Splines</b> ) .....	5/15/01-03
215D	<b>53864</b>	1	Rear Ring Gear .....	1986-03
216D	<b>53865</b>	1	Rear Sun Gear and Drum Assembly .....	1986-03
217D	<b>K53849F</b>	1	Rear Support with Lube Tubes .....	1991-03
217D	<b>53862F</b>	1	Rear Support ..... <b>Designed For Double Stepped Lube Tube</b> .....	1993-03
219D	<b>53852</b>	1	Output (Axle) Shaft .....	1986-03
220E	<b>53866</b>	1	Final Drive Sun Gear ( <b>30 Tooth - 33 Spline</b> ) .....	1986-5/14/01
220E	<b>53866J</b>	1	Final Drive Sun Gear ( <b>29 Tooth - 45 Spline</b> ) .....	5/15/01-03
250A	<b>15-130</b>	1	Valve Body ( <b>Reman</b> ) ..... <b>Lincoln, Round TCC Solenoid</b> .....	1991-96
250A	<b>15-131</b>	1	Valve Body ( <b>Reman</b> ) ..... <b>Taurus/Sable, Square TCC Solenoid</b> .....	1991
250A	<b>15-132A</b>	1	Valve Body ( <b>Reman</b> ) ..... <b>3.0 Liter Taurus/Sable, Round TCC Solenoid, F4 Casting</b> ....	1992-95
250A	<b>15-132B</b>	1	Valve Body ( <b>Reman</b> ) ..... <b>3.8 Liter Taurus/Sable, Round TCC Solenoid, F4 Casting</b> ....	1992-95
250A	<b>15-132C</b>	1	Valve Body ( <b>Reman</b> ) ..... <b>3.0 Liter Windstar, Round TCC Solenoid, F4 Casting</b> .....	1995
250A	<b>15-132D</b>	1	Valve Body ( <b>Reman</b> ) ..... <b>3.8 Liter Windstar, Round TCC Solenoid, F4 Casting</b> .....	1995
250A	<b>15-132E</b>	1	Valve Body ( <b>Reman</b> ) ..... <b>3.0 Liter ALL, Round TCC Solenoid, F4 Casting</b> .....	1996-97
250A	<b>15-132F</b>	1	Valve Body ( <b>Reman</b> ) ..... <b>3.8 Liter ALL, Round TCC Solenoid, F4 Casting</b> .....	1996-97
250A	<b>15-133</b>	1	Valve Body ( <b>Reman</b> ) ..... <b>AX4S, Blue Connector TCC Solenoid, F4 Casting</b> .....	1997-98
250A	<b>15-134</b>	1	Valve Body ( <b>Reman</b> ) ..... <b>AX4S, Blue Connector TCC Solenoid, XF or YF Casting</b> ....	1999-03
<b>TOOLS</b>				
---	<b>DRUMBUDDY</b>		Drum Buddy Drum Spring Compressor Tool ( <b>Adapt-A-Case</b> ) .....	1986-03
---	<b>53581W</b>	1	1-2 Capacity Modulator Bore Sizing Tool ( <b>Sonnax - Renews Bore, Use OEM Valve</b> ) ..	1986-03
---	<b>53586</b>	1	Reamer, Forward Clutch Control Valve ..... <b>Use w/K53886</b> .....	1986-03
---	<b>K53950</b>	1	Boring Kit, O/D Servo Bore ( <b>Renews Bore w/Bushing to Stop Leaks</b> ) .....	1986-03
---	<b>53911</b>	1	Forward Planetary Installation Tool .....	1986-03
---	<b>K53912</b>	1	Pump Bearing Remover and Installer .....	1986-03
---	<b>K53913</b>	1	Channel Plate Repair Tool .....	1986-03
---	<b>T2400</b>	1	Lip Seal Installer/Protector Kit .....	1986-03
---	<b>T2402</b>	1	Front Clutch Loading Tool .....	1986-03
---	<b>T2407</b>	1	Valve Body and Pump Shaft Guide Pins .....	1986-03
---	<b>T2463</b>	1	Converter Oil Seal Installer .....	1986-03

AXOD / AX4S