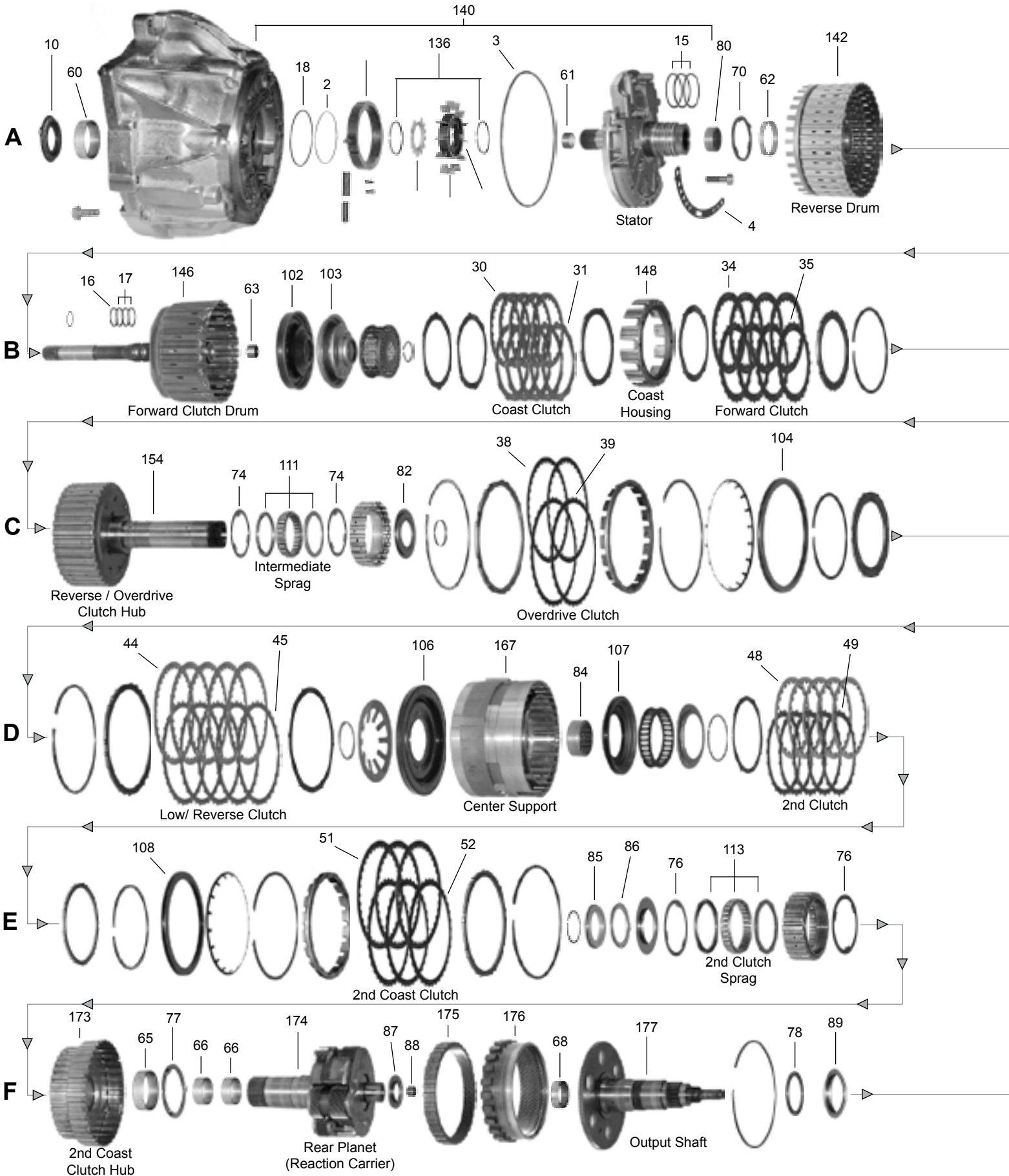
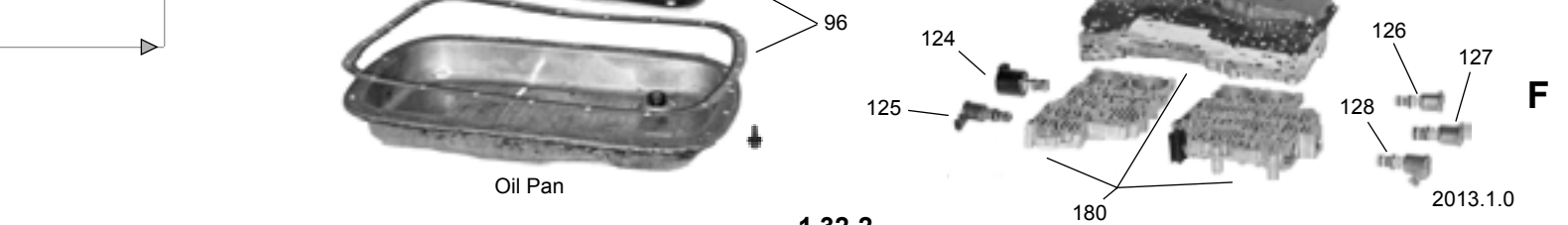
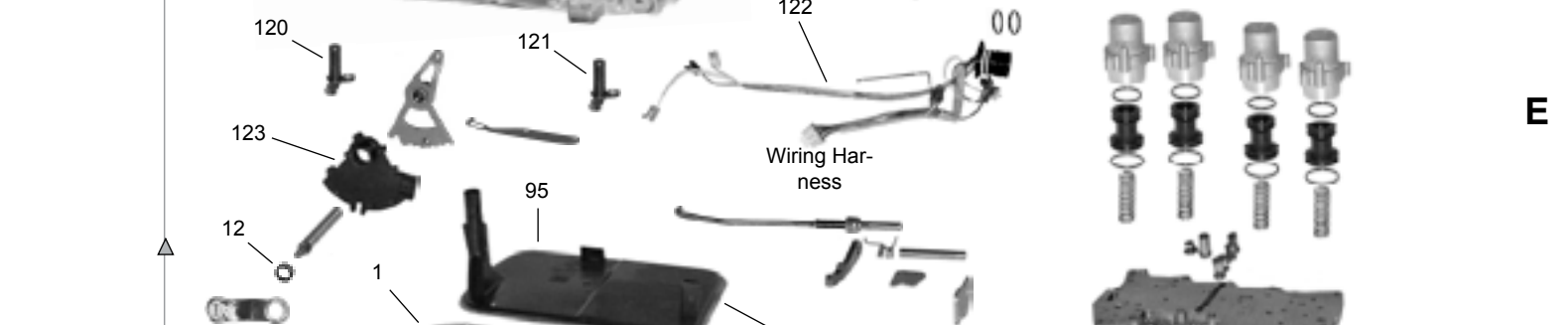
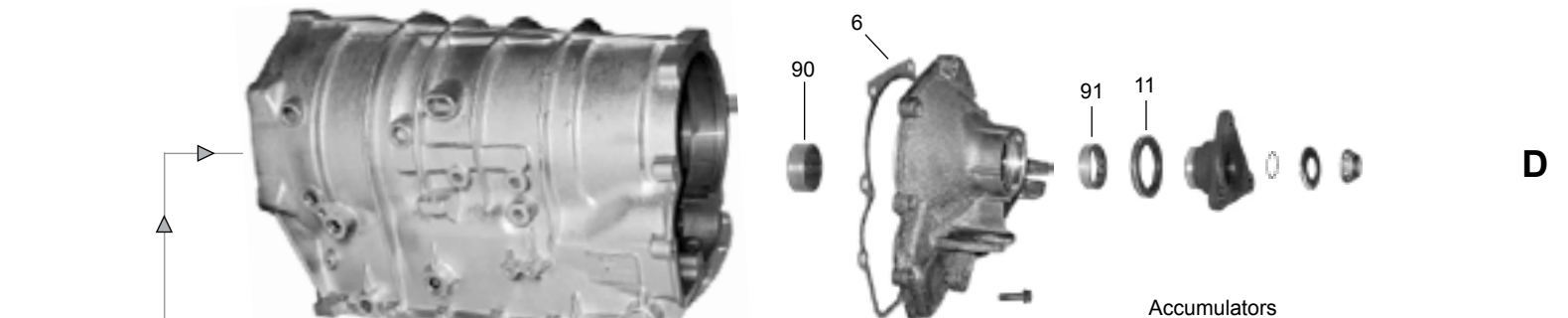
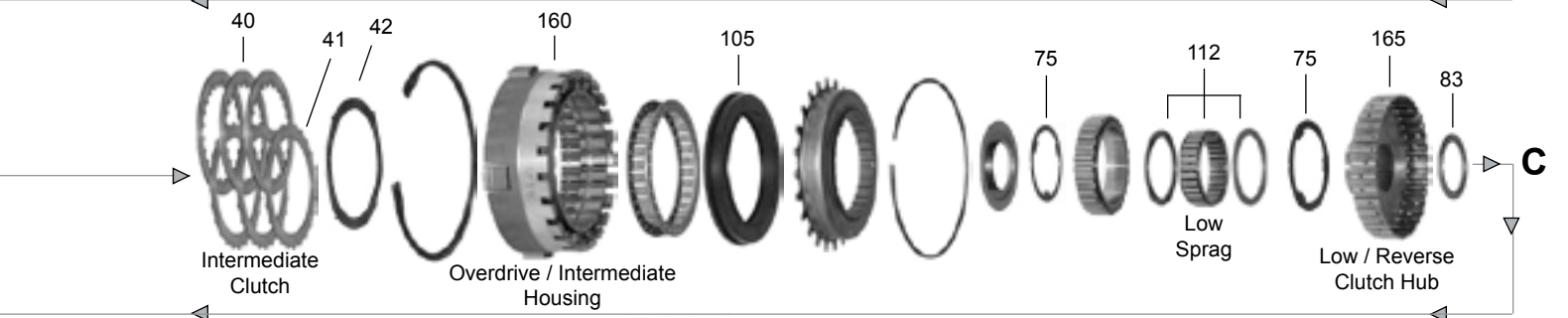
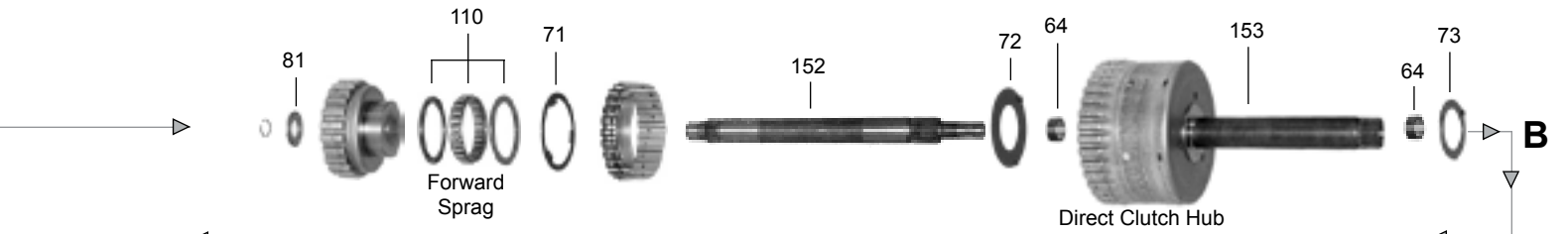
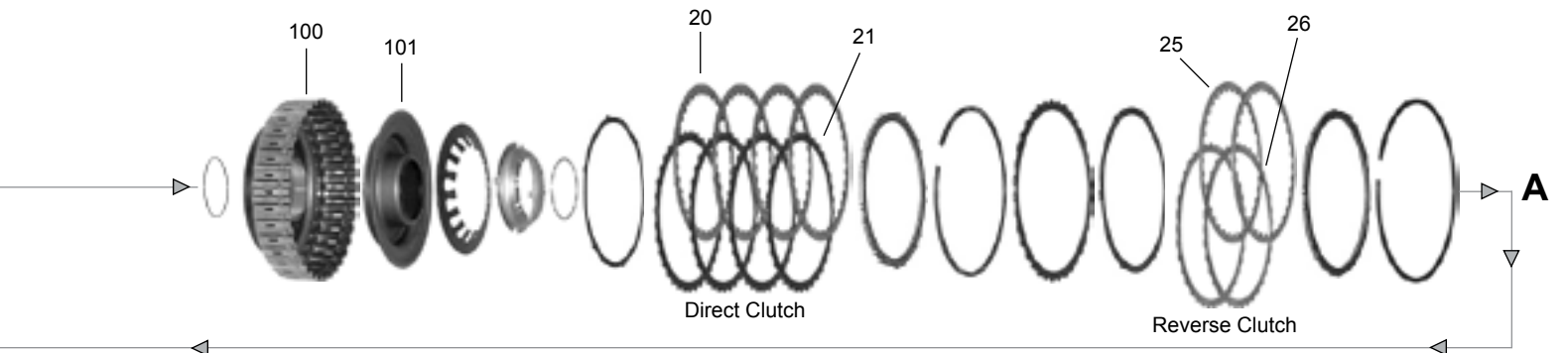


# 5L40E / 5L50E

RWD 5 Speed





# GM 4L40-E (4-Spd.), 5L40/50-E (5-Spd.)

ILL. NO.	PART NUMBER	PER CAR	DESCRIPTION	YEARS
---	<b>TM4L/5L40E</b>		Technical Manual ..... <b>All</b> .....	1999-On
<b>MASTER BOX KITS</b>				
---	<b>K6300-S</b> <sup>1</sup>		Master Kit ( <b>4L40-E</b> ) .....	1999-05
---	<b>K6300E-S</b> <sup>1,2</sup>		Master Kit ( <b>5L40/50-E</b> ) ..... <b>w/5.07" O.D. 2nd Clutch Piston</b> .....	1999-02
---	<b>K6300EC-S</b> <sup>1</sup>		Master Kit ( <b>5L40/50-E</b> ) ..... <b>Up to 3.5 Litre w/5.30" O.D. 2nd Clutch Piston</b> .....	2002-On
---	<b>K6300ED-S</b> <sup>1</sup>		Master Kit ( <b>5L40/50-E</b> ) ..... <b>3.6 Litre and Larger w/5.30" O.D. 2nd Clutch Piston</b> .....	2002-On
<p style="margin-left: 40px;"><sup>1</sup> Kits <b>do not</b> include the molded rubber pan gasket (<b>63170R</b>) nor the molded rubber pistons, see molded rubber piston section for application information.</p> <p style="margin-left: 40px;"><sup>2</sup> Some vehicles with Larger Displacement Engines may require additional frictions.</p>				
<b>OVERHAUL KITS, GASKET SETS AND SEAL KITS</b>				
---	<b>K63900</b> <sup>1</sup>		Overhaul Kit .....	1999-On
---	<b>K63900-1</b> <sup>1</sup>		Gasket and Rubber Kit .....	1999-On
---	<b>K63900-8</b> <sup>1</sup>		External Seal-Up Kit .....	1999-On
---	<b>K63900E-3</b>		Valve Body Gasket Kit .....	1999-On
<b>GASKET AND RUBBER COMPONENTS</b>				
1F	<b>63170R</b>	1	Pan Gasket ..... <b>Molded Rubber</b> .....	1999-On
2A	<b>45102R</b>	1	Pump Slide O'Ring .....	1999-On
3A	<b>63100</b>	1	Pump Lathe O'Ring .....	1999-On
4A	<b>63101</b>	1	Pump Gasket ( <b>Half-Moon Shape</b> ) .....	1999-On
6D	<b>63110</b>	1	Extension Housing Gasket .....	1999-On
---	<b>63120</b>	2	Oil Filter Seal .....	1999-On
<b>METAL CLAD SEALS</b>				
10A	<b>63526</b>	1	Front Pump .....	1999-On
11D	<b>63551</b>	1	Extension Housing .....	1999-On
11D	<b>64551F</b>	1	Adapter Housing .....	1999-On
12F	<b>46507A</b>	1	Manual Lever .....	1999-On
<b>SEALING RINGS</b>				
---	<b>K63901</b>	1	Sealing Ring Kit .....	1999-On
15A	<b>63200</b>	3	Front Pump ..... <b>Scarf-Cut</b> .....	1999-On
16B	<b>63201</b>	1	Input Shaft ( <b>Front</b> ) ..... <b>Solid</b> .....	1999-On
17B	<b>63202</b>	3	Input Shaft ( <b>Rear</b> ) ..... <b>Scarf-Cut</b> .....	1999-On
18A	<b>45821R</b>	1	Pump Slide Ring ..... <b>Solid</b> .....	1999-On
<b>CLUTCH PLATES (ALL SINGLE-SIDED PLATES)</b>				
20A	<b>63308</b>	3-5	Direct Clutch Plate (Inner Spline) ..... <b>36T, .063" - 6.80" O.D.</b> .....	1999-On
21A	<b>63309</b>	3-5	Direct Clutch Plate (Outer Spline) ..... <b>36T, .063" - 6.10" I.D.</b> .....	1999-On
25A	<b>63306</b>	2-3	Reverse Clutch Plate (Inner Spline) ..... <b>36T, .063" - 7.06" O.D.</b> .....	1999-On
26A	<b>63307</b>	2-3	Reverse Clutch Plate (Outer Spline) ..... <b>36T, .063" - 6.46" I.D.</b> .....	1999-On
30B	<b>63310</b>	2-3	Coast Clutch Plate (Inner Spline) ..... <b>24T, .063" - 4.85" O.D.</b> .....	1999-On
31B	<b>63311</b>	2-3	Coast Clutch Plate (Outer Spline) ..... <b>12T, .063" - 4.12" I.D.</b> .....	1999-On
34B	<b>63304</b>	3-4	Forward Clutch Plate (Inner Spline) ..... <b>24T, .063" - 5.11" O.D.</b> .....	1999-On
35B	<b>63305</b>	3-4	Forward Clutch Plate (Outer Spline) ..... <b>24T, .063" - 4.12" I.D.</b> .....	1999-On
38C	<b>63306</b>	2-3	Overdrive Clutch Plate (Inner Spline) ..... <b>36T, .063" - 7.06" O.D.</b> .....	1999-On
39C	<b>63307</b>	2-3	Overdrive Clutch Plate (Outer Spline) ..... <b>36T, .063" - 6.46" I.D.</b> .....	1999-On
40C	<b>63300</b>	3-4	Intermediate Clutch Plate (Inner Spline) .. <b>24T, .063" - 5.31" O.D.</b> .....	1999-On
41C	<b>63301</b>	3-4	Intermediate Clutch Plate (Outer Spline) .. <b>24T, .063" - 4.12" I.D.</b> .....	1999-On
42C	<b>63301C</b>	1	Intermediate Clutch Plate Cushion .....	1999-On

# GM 4L40-E (4-Spd.), 5L40/50-E (5-Spd.)

4L40E / 5L40/50E

ILL. NO.	PART NUMBER	PER CAR	DESCRIPTION	YEARS
<b>CLUTCH PLATES (ALL SINGLE-SIDED PLATES) - Cont'd</b>				
44D	<b>63308</b>	5-6	Low/Reverse Clutch Plate (Inner Spline) . <b>36T, .063" - 6.80" O.D.</b> .....	1999-On
45D	<b>63309A</b>	5-6	Low/Reverse Clutch Plate (Outer Spline) <b>29T, .063" - 6.10" I.D.</b> .....	1999-On
48D	<b>63302E</b>	5-6	2nd Clutch Plate - <b>5L40/50-E</b> (Inner Spline). <b>24T, .063" - 5.11" O.D.</b> .....	1999-02
48D	<b>63302EC</b>	5	2nd Clutch Plate - <b>5L40/50-E</b> (Inner Spline) <b>24T, .063" - 5.42" O.D.</b> .....	2002-On
49D	<b>63303E</b>	5-6	2nd Clutch Plate - <b>5L40/50-E</b> (Outer Spline) <b>24T, .063" - 4.47" I.D.</b> .....	1999-02
49D	<b>63303EC</b>	5	2nd Clutch Plate - <b>5L40/50-E</b> (Outer Spline) <b>24T, .063" - 4.48" I.D.</b> .....	2002-On
51E	<b>63308</b>	3	2nd Coast Clutch Plate - <b>5L40/50-E</b> (Inner Spline) <b>36T, .063" - 6.79" O.D.</b> .....	1999-02
51E	<b>63308EC</b>	3	2nd Coast Clutch Plate - <b>5L40/50-E</b> (Inner Spline) <b>36T, .063" - 6.92" O.D.</b> .....	2002-On
52E	<b>63309</b>	3	2nd Coast Clutch Plate - <b>5L40/50-E</b> (Outer Spline) <b>36T, .063" - 6.10" I.D.</b> .....	1999-02
52E	<b>63309EC</b>	3	2nd Coast Clutch Plate - <b>5L40/50-E</b> (Outer Spline) <b>36T, .063" - 6.42" I.D.</b> .....	2002-On
<b>BUSHINGS</b>				
---	<b>K63980</b>	1	Bushing Assortment Kit .....	1999-On
---	<b>K63980Y</b>	1	Bushing Assortment Kit ... <b>OMEGA, Can use w/Custom Driver Set (K63980DR)</b> .....	1999-On
60A	<b>51005T</b>	1	Front Pump Bushing .....	1999-On
61A	<b>63001</b>	1	Stator Support ( <b>Front</b> ) .....	1999-On
62A	<b>63002</b>	1	Reverse Clutch Housing .....	1999-On
63B	<b>63003</b>	1	Forward Clutch Housing .....	1999-On
64B	<b>63004</b>	2	Direct Clutch Drum and Shaft Assembly .....	1999-On
65F	<b>63006E</b>	1	2nd Clutch Sprag Inner Race ..... <b>5L40/50-E Only</b> .....	1999-On
66F	<b>63009</b>	2	Reaction Carrier (Rear Planetary) Assembly .....	1999-On
68F	<b>63010</b>	1	Output Shaft .....	1999-On
<b>THRUST WASHERS AND BEARINGS</b>				
---	<b>K63940</b>	1	Thrust Washer Kit ( <b>w/o Selectives</b> ) .....	1999-On
---	<b>K63941</b>	1	Thrust Bearing Kit ( <b>* Not Included</b> ) .....	1999-On
<b>Washers:</b>				
70A	<b>63400</b>	1	Front Pump to Reverse Clutch Housing Washer .... <b>.103"</b> .....	1999-On
70A	<b>63400B</b>	1	Front Pump to Reverse Clutch Housing Washer .... <b>.116"</b> .....	1999-On
70A	<b>63400D</b>	1	Front Pump to Reverse Clutch Housing Washer .... <b>.130"</b> .....	1999-On
70A	<b>63400F</b>	1	Front Pump to Reverse Clutch Housing Washer .... <b>.145"</b> .....	1999-On
71B	<b>63401</b>	1	Forward Clutch Sprag Race Outer Washer ..... <b>3 I.D. Tabs</b> .....	1999-On
72B	<b>63402</b>	1	Direct Clutch Hub Washer .....	1999-On
73B	<b>63403</b>	1	Direct Clutch Hub to Reverse/O.D. Clutch Hub Washer .....	1999-On
74C	<b>63404</b>	2	Intermediate Clutch Sprag Race ..... <b>Front and Rear, 3 I.D. Tabs</b> .....	1999-On
75C	<b>63405</b>	2	Low Sprag Race ..... <b>Front and Rear, 3 I.D. Tabs</b> .....	1999-On
76E	<b>63406</b>	2	2nd Sprag Race ( <b>5L40/50-E</b> ) ..... <b>Front and Rear, 3 I.D. Tabs</b> .....	1999-On
77F	<b>63407</b>	1	2nd Sprag Race to Reaction Internal Gear Flanged Washer ( <b>3 Tabs</b> ) .....	1999-On
78F	<b>63408</b>	1	Rear End-Play Selective Washer ..... <b>.039"</b> .....	1999-On
78F	<b>63408B</b>	1	Rear End-Play Selective Washer ..... <b>.055"</b> .....	1999-On
78F	<b>63408D</b>	1	Rear End-Play Selective Washer ..... <b>.071"</b> .....	1999-On
78F	<b>63408F</b>	1	Rear End-Play Selective Washer ..... <b>.086"</b> .....	1999-On
78F	<b>63408H</b>	1	Rear End-Play Selective Washer ..... <b>.102"</b> .....	1999-On
<b>Bearings:</b>				
80A	<b>63430*</b>	1	Stator Bearing ( <b>Caged</b> ) ..... <b>Rear</b> .....	1999-On
81B	<b>63420</b>	1	Forward Drum to Input Sun Gear Shaft Bearing .....	1999-On
82C	<b>63421</b>	1	Intermediate Clutch Thrust Bearing .....	1999-On
83C	<b>63422</b>	1	Low/Reverse Clutch Sprag to Center Support Bearing .....	1999-On
84D	<b>63431*</b>	1	Center Support Bearing ( <b>Caged</b> ) .....	1999-On
85E	<b>63423</b>	1	Input and Reaction Carrier Bearing .....	1999-On
86E	<b>63424E</b>	1	2nd Clutch Sprag Inner Race Bearing ..... <b>5L40/50-E Only</b> .....	1999-On
87F	<b>63425</b>	1	Reaction Carrier to Output Shaft Bearing ..... <b>Exc. 5L50-E</b> .....	1999-On

# GM 4L40-E (4-Spd.), 5L40/50-E (5-Spd.) - Cont'd.

ILL. NO.	PART NUMBER	PER CAR	DESCRIPTION	YEARS
<b>THRUST WASHERS AND BEARINGS - Cont'd.</b>				
87F	<b>63425E*</b>	1	Reaction Carrier to Output Shaft Bearing ..... <b>5L50-E</b> .....	2004-On
88F	<b>64432*</b>	1	Reaction Carrier Bearing ( <b>Caged</b> ) .....	1999-On
89F	<b>63426</b>	1	Rear End-Play Selective Washer to Ext. Housing Bearing ( <b>Exc. 5L50-E</b> ) .....	1999-On
89F	<b>63426E*</b>	1	Rear End-Play Selective Washer to Ext. Housing Bearing ( <b>5L50-E</b> ) .....	2004-On
90D	<b>63433*</b>	1	Ext. Housing to Output Shaft Bearing ( <b>Caged</b> ) ..... <b>Front</b> .....	1999-On
91D	<b>63434*</b>	1	Ext. Housing to Output Shaft Bearing ( <b>Caged</b> ) ..... <b>Rear</b> .....	1999-On
<b>TRANSMISSION OIL FILTERS</b>				
95E	<b>63600</b>	1	Oil Filter ( <i>Neck w/2 Grommets and NO Spacer, w/o 1/2" Plastic Inlet - Cadillac</i> ) .....	1999-On
95E	<b>63600A</b>	1	Oil Filter ( <i>Neck w/2 Grommets and Spacer, w/o 1/2" Plastic Inlet - BMW Cars</i> ) .....	1999-On
95E	<b>63600B</b>	1	Oil Filter ( <i>Neck w/2 Grommets and Spacer, with 1/2" Plastic Inlet - BMW SUV</i> ) .....	1999-On
96E	<b>ATK-231</b>	1	Oil Filter Kit ( <i>Neck w/2 Grommets and NO Spacer, w/o 1/2" Plastic Inlet - Cadillac</i> ) .....	1999-On
96E	<b>ATK-249</b>	1	Oil Filter Kit ( <i>Neck w/2 Grommets and Spacer, w/o 1/2" Plastic Inlet - BMW Cars</i> ) .....	1999-On
96E	<b>ATK-250</b>	1	Oil Filter Kit ( <i>Neck w/2 Grommets and Spacer, with 1/2" Plastic Inlet - BMW SUV</i> ) .....	1999-On
<b>MOLDED RUBBER PISTONS</b>				
---	<b>K63900EB-4</b>	1	Molded Rubber Piston Kit ( <b>* Included</b> ) ..... <b>All</b> .....	1999-02
---	<b>K63900EC-4</b>	1	Molded Rubber Piston Kit ..... <b>All</b> .....	2002-On
** <b>Note:</b> When ordering Piston Kits for a 1999-2002 unit you must order both the K63900EB-4 and the K63900EC-4 for complete coverage.				
100A	<b>63803</b>	1	Reverse Piston and Direct Clutch Housing ... <b>Molded Rubber</b> .....	1999-On
101A	<b>63843</b>	1	Direct Clutch Piston Assembly ..... <b>Molded Rubber</b> .....	1999-On
102B	<b>63841</b>	1	Forward Clutch Piston ..... <b>Molded Rubber</b> .....	1999-On
103B	<b>63840</b>	1	Coast Clutch Piston ..... <b>Molded Rubber</b> .....	1999-On
104C	<b>63844</b>	1	Overdrive Clutch Piston ..... <b>Molded Rubber</b> .....	1999-On
105C	<b>63842</b>	1	Intermediate Clutch Piston ..... <b>Molded Rubber</b> .....	1999-On
106D	<b>63847*</b>	1	Low/Reverse Clutch Piston ..... <b>Molded Rubber - 62mm I.D.</b> .....	1999
106D	<b>63847EB</b>	1	Low/Reverse Clutch Piston ..... <b>Molded Rubber - 64mm I.D.</b> .....	2000-On
107D	<b>63845E*</b>	1	2nd Clutch Piston ( <b>5L40/50-E</b> ) <b>Rubber - 129mm (5.07") O.D., 21.1mm Tall</b> .....	1999
107D	<b>63845EB*</b>	1	2nd Clutch Piston ( <b>5L40/50-E</b> ) <b>Rubber - 129mm (5.07") O.D., 12.6mm Tall</b> .....	2000-02
107D	<b>63845EC</b>	1	2nd Clutch Piston ( <b>5L40/50-E</b> ) <b>Rubber - 135mm (5.30") O.D., 12.6mm Tall</b> .....	2002-On
108E	<b>63844E*</b>	1	2nd Coast Clutch Piston ( <b>5L40/50-E</b> ) <b>Rubber - 144mm (5.66") O.D.</b> .....	1999-02
108E	<b>63844EC</b>	1	2nd Coast Clutch Piston ( <b>5L40/50-E</b> ) <b>Rubber - 154mm (6.05") O.D.</b> .....	2002-On
<b>SPRAGS</b>				
110B	<b>63814</b>	1	Forward Clutch Sprag ..... <b>All</b> .....	1999-On
111C	<b>63814</b>	1	Intermediate Clutch Sprag ..... <b>All</b> .....	1999-On
112C	<b>63813</b>	1	Low Clutch Sprag ..... <b>All</b> .....	1999-On
113E	<b>63814E</b>	1	2nd Clutch Sprag ..... <b>5L40/50-E</b> .....	1999-On
<b>SHIFT ENHANCEMENTS AND MISCELLANEOUS</b>				
---	<b>K63946E</b>	1	Unit Repair Kit ( <b>5L40/50-E - TransGo, Repairs 3 Units</b> ) ..... 1999-On <b>Addresses:</b> Drainback, No Move Condition and Ratio Codes HOT. Includes Forward and Coast Inner Piston Seal Installers, 63989E and K63886E Valves.	
---	<b>K63889</b>	1	Boost Valve Kit ( <b>Sonnax</b> ) ..... <b>OEM Ratio</b> .....	1999-On
---	<b>K63889HP</b>	1	Boost Valve Kit ( <b>Sonnax</b> ) ..... <b>Increased Performance Ratio</b> .....	1999-On
<b>Addresses:</b> Insufficient Line Rise or High Reverse Pressure, Flared Upshifts, TCC Slippage and/or Gear Ratio Codes.				

# GM 4L40-E (4-Spd.), 5L40/50-E (5-Spd.) - Cont'd.

4L40E / 5L40/50E

ILL. NO.	PART NUMBER	PER CAR	DESCRIPTION	YEARS
<b>SHIFT ENHANCEMENTS AND MISCELLANEOUS - Cont'd</b>				
---	<b>K63886RF</b>	1	Actuator Feed Limit Valves & PR Valves ( <b>TransGo, Refill Kit for K63946E, 5-Units</b> ) ..	1999-On
---	<b>K63886E</b>	1	Actuator Feed Limit Valve and Sleeve Kit ( <b>5L40/50-E - Sonnax</b> ) ..... <b>Addresses:</b> Reduced Line Pressure, Gear Ratio Slip Codes, 2nd Gear Starts, Loss of 4th and 5th and TCC Slip. Use w/K63586E Reamer Kit.	1999-On
---	<b>K63989E</b>	1	Pressure Regulator and Boost Valve Kit ( <b>5L40/50-E - Sonnax</b> ) ..... <b>Addresses:</b> Insufficient Line Pressure or Reverse Pressure, Flared Upshifts, TCC Slip and Ratio Codes.	1999-On
---	<b>K63989EW</b>	1	Oversized Pressure Regulator Valve & Sleeve Kit ( <b>5L40/50-E - Sonnax</b> ) ..... <b>Addresses:</b> Insufficient Line Pressure or Reverse Pressure, Flared Upshifts, TCC Slip, Loss of 4-5 Shift and Ratio Codes. Use w/K63589E Tool Kit.	1999-On
---	<b>K63887E</b>	1	TCC Regulator Valve and Sleeve Kit ( <b>5L40/50-E - Sonnax</b> ) ..... <b>Addresses:</b> TCC Slip, Transmission Overheat and Ratio Codes. Use w/K63587E Reamer Kit.	1999-On
---	<b>K63882E</b>	1	Reverse Lockout Valve and Sleeve Kit ( <b>5L40/50-E - Sonnax</b> ) ..... <b>Addresses:</b> Loss of Reverse, TCC Overheat, Burned Reverse Clutches. Use w/K63582E.	1999-On
<b>ELECTRONIC COMPONENTS</b>				
120E	<b>63875EB</b>	1	Input Speed Sensor ( <b>BMW</b> ) .....	1999-On
120E	<b>63875EC</b>	1	Input Speed Sensor ( <b>Cadillac</b> ) .....	2002-On
121E	<b>63875EB</b>	1	Output Speed Sensor ( <b>BMW</b> ) .....	1999-On
121E	<b>63875EC</b>	1	Output Speed Sensor ( <b>Cadillac</b> ) .....	2002-On
122E	<b>63869EB</b>	1	Internal Wiring Harness ( <b>BMW w/Trans Fluid Temperature Sensor</b> ) .....	1999-On
122E	<b>63869EC</b>	1	Internal Wiring Harness ( <b>Cadillac w/Trans Fluid Temperature Sensor</b> ) .....	2002-On
123E	<b>63877</b>	1	Internal Mode Switch .....	1999-On
124F	<b>42879</b>	1	Force Motor (EPC) Solenoid ( <b>In Front V.B.</b> ) ..... <b>Holley</b> .....	1999-03
124F	<b>41879F</b>	1	Force Motor (EPC) Solenoid ( <b>In Front V.B.</b> ) ..... <b>Bosch</b> .....	2004-On
125F	<b>41870A</b>	1	TCC PWM Solenoid ( <b>In Front V.B.</b> ) ..... <b>10-11 Ohms</b> .....	1999-On
126F	<b>63871E</b>	1	"1-2" Shift Solenoid ( <b>Green Connector</b> ) .....	1999-On
127F	<b>63871E</b>	1	"2-3" Shift Solenoid ( <b>Green Connector</b> ) .....	1999-On
128F	<b>63871E</b>	1	"4-5" Shift Solenoid ( <b>Green Connector</b> ) .....	1999-On
<b>HARD PARTS</b>				
<b>Note : When ordering Hard Parts, please add the appropriate suffix : (-R) Reman, (-U) Used, (-A) Aftermarket.</b>				
---	<b>K51819J</b>	1	Complete Front Pump Rotor /Slide Package . <b>13-Vane Type</b> .....	1999-On
---	<b>K51817J</b>	1	Front Pump Rotor Package ..... <b>13-Vane Type</b> .....	1999-On
---	<b>51824</b>	1	Pump Slide Pivot Pin .....	1999-On
135A	<b>51818</b>	1	Front Pump Slide .....	1999-On
136A	<b>51822</b>	2	Pump Vane Ring ..... <b>Hardened</b> .....	1999-On
137A	<b>51418J</b>	1	Front Pump Rotor Guide ..... <b>13-Vane Type</b> .....	1999-On
138A	<b>46823</b>	13	Front Pump Vane .....	1999-On
139A	<b>51817J</b>	1	Front Pump Rotor ..... <b>13-Vane Type</b> .....	1999-On
140A	<b>K63895E</b>	1	Bellhousing and Pump Assembly ( <b>Cadillac</b> ) .....	2003-On
140A	<b>K63895EB</b>	1	Bellhousing and Pump Assembly ( <b>BMW</b> ) .....	1999-On
142A	<b>63806E</b>	1	Reverse Drum ( <b>31 Tooth Reluctor</b> ) ..... <b>5L40-E</b> .....	1999-On
146B	<b>63801E</b>	1	Forward/Coast Clutch Drum ..... <b>5L40-E</b> .....	1999-On
146B	<b>63801EB</b>	1	Forward/Coast Clutch Drum ..... <b>5L50-E</b> .....	2002-On
148B	<b>63805E</b>	1	Coast Clutch Housing ( <b>1.382" Thick</b> ) ..... <b>5L40-E</b> .....	1999-On
148B	<b>63805EB</b>	1	Coast Clutch Housing ( <b>1.260" Thick</b> ) ..... <b>5L50-E</b> .....	2002-On

# GM 4L40-E (4-Spd.), 5L40/50-E (5-Spd.) - Cont'd.

ILL. NO.	PART NUMBER	PER CAR	DESCRIPTION	YEARS
<b>HARD PARTS - Cont'd.</b>				
<b>Note : When ordering Hard Parts, please add the appropriate suffix : (-R) Reman, (-U) Used, (-A) Aftermarket.</b>				
152B	<b>63851E</b>	1	Input Sun Gear Shaft ( <b>11 1/2" long</b> ) .....	<b>5L40-E</b> ..... 1999-On
152B	<b>63851EB</b>	1	Input Sun Gear Shaft ( <b>11 11/16" Long</b> ) .....	<b>5L50-E</b> ..... 2002-On
153B	<b>63836E</b>	1	Direct Clutch Hub .....	<b>5L40-E</b> ..... 1999-On
153B	<b>63836EB</b>	1	Direct Clutch Hub .....	<b>5L50-E</b> ..... 2002-On
154C	<b>63837E</b>	1	Reverse/Overdrive Clutch Hub ( <b>36 Teeth</b> ) .....	<b>5L40/50-E</b> ..... 1999-On
160C	<b>63853E</b>	1	Overdrive/Intermediate Housing .....	<b>5L40-E</b> ..... 1999-On
160C	<b>63853EB</b>	1	Overdrive/Intermediate Housing .....	<b>5L50-E</b> ..... 2002-On
165C	<b>63838E</b>	1	Low/Reverse Clutch Hub .....	<b>5L40/50-E</b> ..... 1999-On
167D	<b>63808E</b>	1	Center Support ( <b>36 Teeth 2nd Coast Steels</b> ) .....	<b>5L40-E</b> ..... 1999-On
167D	<b>63808EB</b>	1	Center Support ( <b>6 Teeth 2nd Coast Steels</b> ) .....	<b>5L40/50-E</b> ..... 2002-On
173F	<b>63839E</b>	1	2nd Coast Clutch Hub .....	<b>5L40-E</b> ..... 1999-On
173F	<b>63839EB</b>	1	2nd Coast Clutch Hub .....	<b>5L50-E</b> ..... 2002-On
174F	<b>63831E</b>	1	Planetary ( <b>1 Groove, Stamped Steel/Cast Iron</b> ) ..	<b>5L40-E</b> ..... 1999-On
174F	<b>63831EB</b>	1	Planetary ( <b>No Groove, Stamped Steel</b> ) .....	<b>5L50-E</b> ..... 2002-On
175F	<b>63993E</b>	1	Reluctor Wheel .....	<b>5L40/50-E</b> ..... 1999-On
176F	<b>63864E</b>	1	Rear Ring Gear ( <b>106-Tooth</b> ) .....	<b>5L40-E</b> ..... 1999-On
176F	<b>63864EA</b>	1	Rear Ring Gear ( <b>107-Tooth</b> ) .....	<b>5L40-E</b> ..... 1999-On
176F	<b>63864EB</b>	1	Rear Ring Gear ( <b>110-Tooth</b> ) .....	<b>5L50-E</b> ..... 2002-On
176F	<b>63864EC</b>	1	Rear Ring Gear ( <b>114-Tooth</b> ) .....	<b>5L50-E</b> ..... 2002-On
177F	<b>63852E</b>	1	Output Shaft ( <b>106-Tooth Ring Gear Type</b> ) .....	<b>5L40-E</b> ..... 1999-On
177F	<b>63852EA</b>	1	Output Shaft ( <b>107-Tooth Ring Gear Type</b> ) .....	<b>5L40-E</b> ..... 1999-On
177F	<b>63852EB</b>	1	Output Shaft ( <b>110-Tooth Ring Gear Type</b> ) .....	<b>5L50-E</b> ..... 2002-On
177F	<b>63852EC</b>	1	Output Shaft ( <b>114-Tooth Ring Gear Type</b> ) .....	<b>5L50-E</b> ..... 2002-On
180F	<b>20-138</b>	1	Reman Valve Body ( <b>Sleeved Actuator Feed Limit Valve w/New EPC/TCC Solenoid</b> ) ....	1999-03
180F	<b>20-139</b>	1	Reman Valve Body ( <b>Sleeved Actuator Feed Limit Valve w/New EPC/TCC Solenoid</b> ) ...	2004-On
<b>TOOLS</b>				
---	<b>T-6800</b>	1	Center Support Snap-Ring Pliers ( <b>Adapt-A-Case</b> ) .....	1999-On
----	<b>SEALEZEE1</b>	1	Sealeeze Seal ( <b>Red</b> ) .....	1999-On
----	<b>SEALEZEE2</b>	1	Sealeeze Extreme ( <b>Blue</b> ) .....	1999-On
---	<b>SEALCONES</b>	1	Sealeeze Application Cones ( <b>Six</b> ) .....	<b>Will Install All Pistons</b> ..... 1999-On
---	<b>K63913</b>	1	Molded Rubber Piston Installer Assortment Kit ( <b>See SEALCONES Above</b> ) .....	1999-On
---	<b>J45133</b>	1	Direct Piston Inner Seal Installer .....	1999-On
---	<b>J45134</b>	1	Forward Clutch Inner Seal Installer ( <b>also in K63946E</b> ) .....	1999-On
---	<b>J45132</b>	1	Coast Clutch Piston Inner Seal Installer ( <b>also in K63946E</b> ) .....	1999-On
---	<b>J45135</b>	1	O/D Clutch Piston outer Seal Installer .....	1999-On
---	<b>J45140</b>	1	Low/Reverse Piston Inner Seal Installer .....	2000-On
---	<b>J45136</b>	1	Low/Reverse Piston Outer Seal Installer .....	1999-On
---	<b>J45137</b>	1	2nd Clutch Piston Inner Seal Installer .....	1999-On
---	<b>J45145</b>	1	2nd Clutch Piston Outer Seal Installer .....	2002-On
---	<b>J45136</b>	1	2nd Coast Piston Outer Seal Installer .....	1999-On
---	<b>J45130-2</b>	1	Input Shaft Solid Ring Installer .....	1999-On
---	<b>J45130-3</b>	1	Input Shaft Solid Ring Resizer .....	1999-On