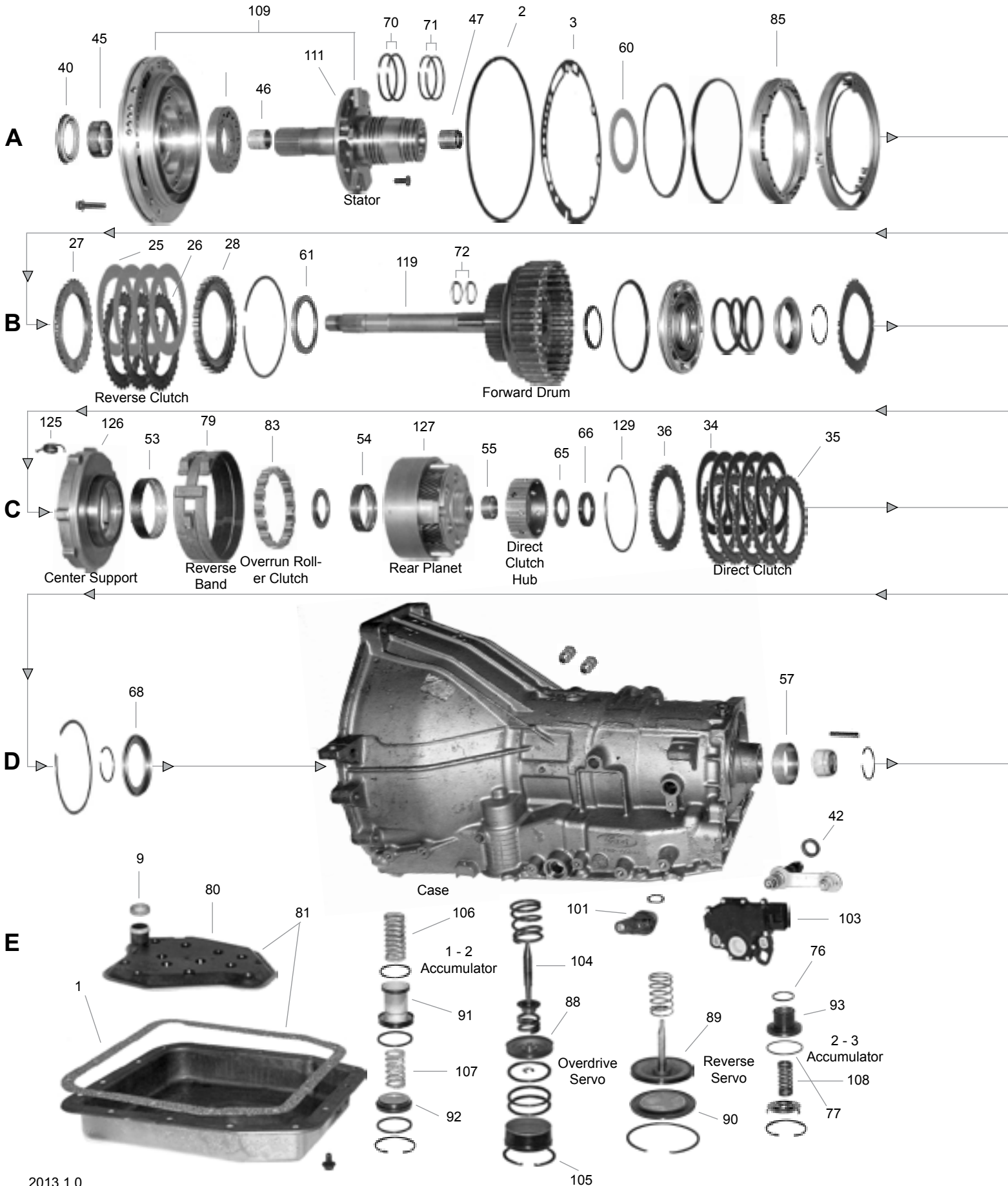
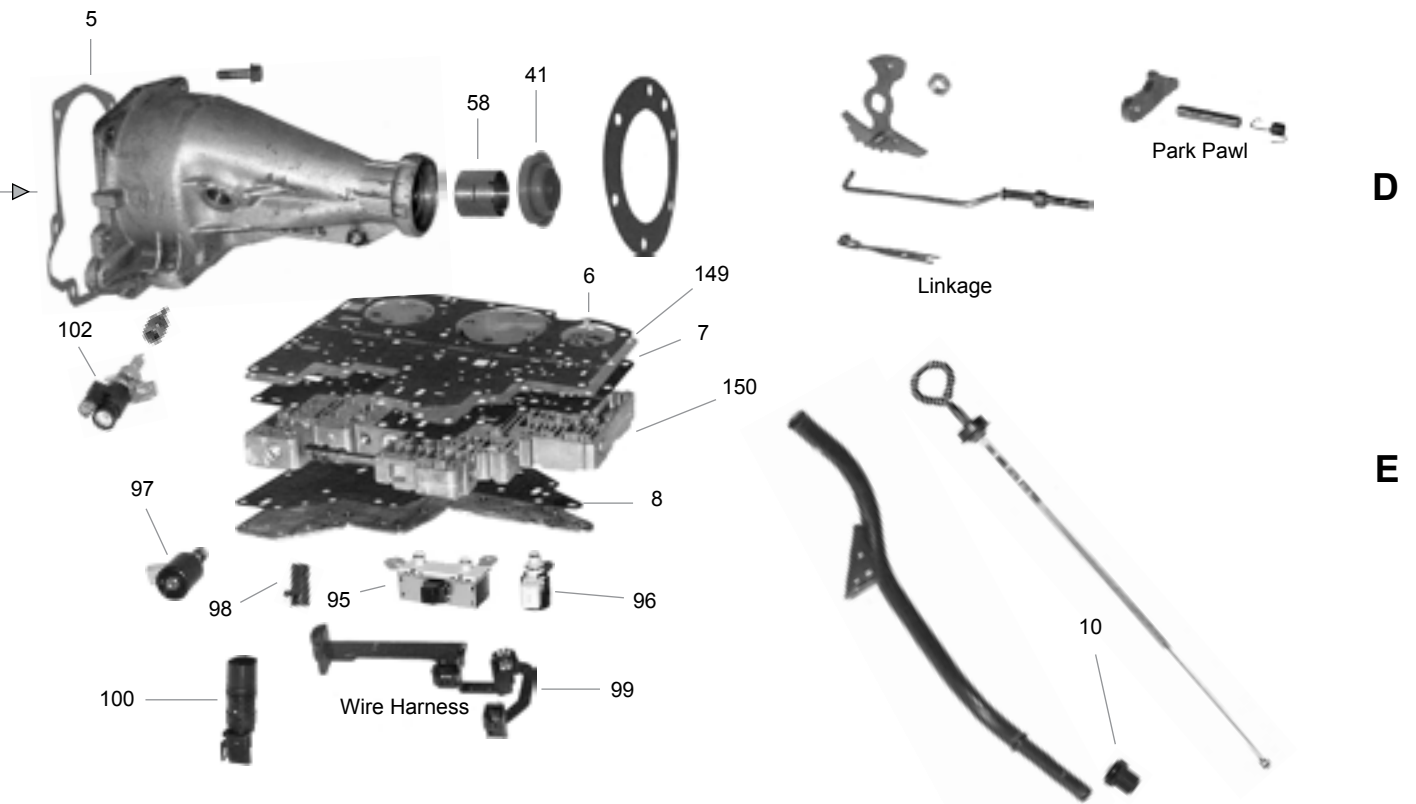
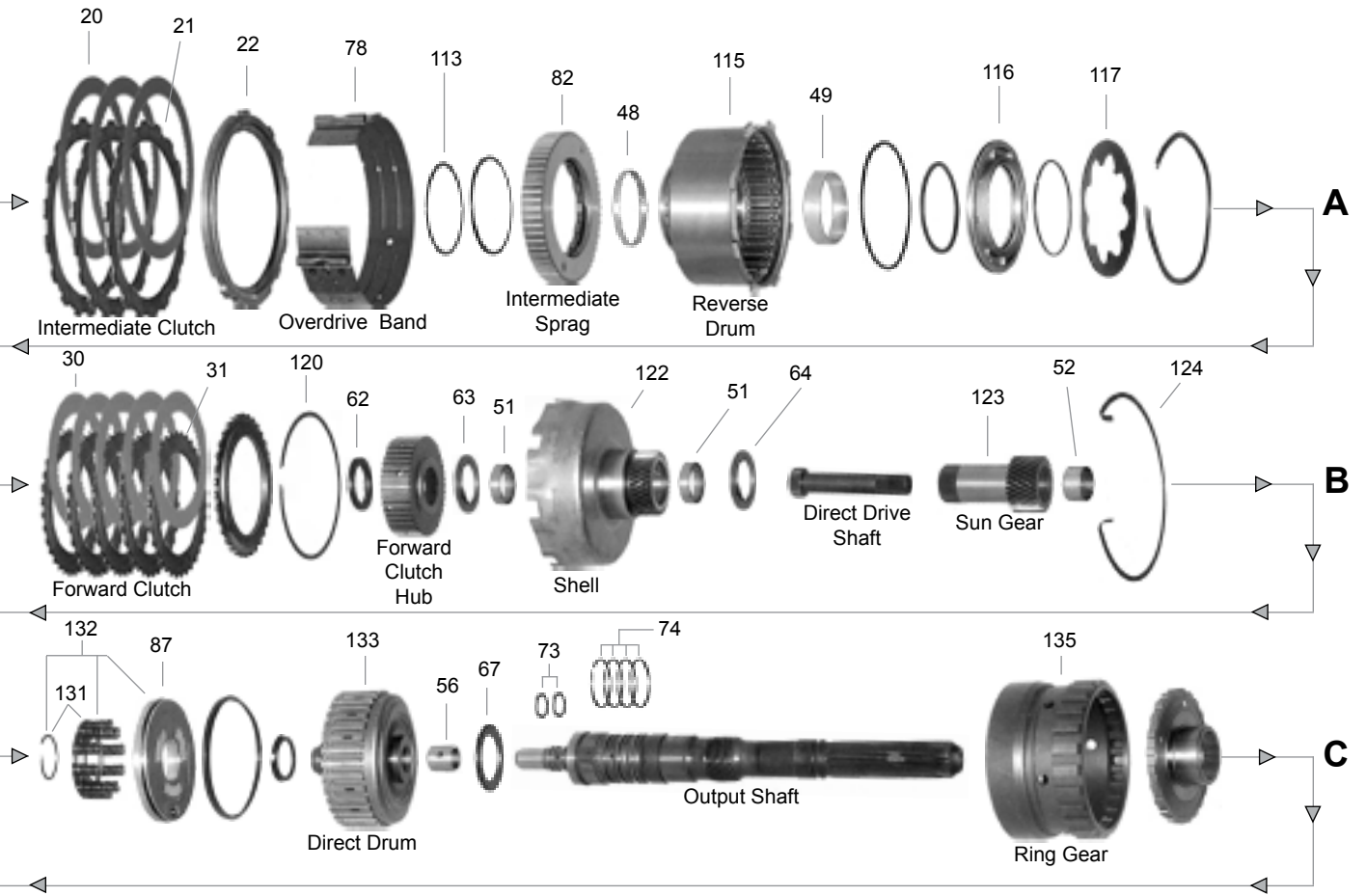


AOD / AODE / 4R70E/W / 4R75E/W

RWD 4 Speed





Ford AOD, AOD-E, 4R70E/W, and 4R75E/W

KIT APPLICATION CHART

VEHICLE MODEL	YEARS	TRANSMISSION	MASTER REBUILDER KIT	MASTER KIT	STEEL PLATE KIT
All Cars with AOD:	1980-7/19/83	AOD	MRK4700-S	K4700-S	K4700-9
	7/19/83-89	AOD	MRK4700A-S	K4700A-S	K4700-9
w/Cast Iron Drums	1990-1992	AOD	MRK4700A-S	K4700A-S	K4700A-9
w/Steel Drums	1992-1993	AOD	MRK4700A-S	K4700A-S	K4700A-9A
T-Bird & Cougar	1990-1993	AOD	MRK4700A-S	K4700A-S	K4700A-9
Crown Victoria,	1992-1994	AOD-E	MRK4700E-S	K4700E-S	K4700E-9
Grand Marquis &	1995	4R70W	MRK4700G-S³	K4700G-S³	K4700E-9 ³
Marauder:	1996-97	4R70W	MRK4700H-S³	K4700H-S³	K4700E-9 ³
	1998-03	4R70W	MRK4700K-S⁴	K4700K-S⁴	K4700K-9
	2004-On	4R70W/75E/W	MRK4700N-S^{4,5}	K4700N-S^{4,5}	K4700K-9
Mustang:	1994-1995	AOD-E	MRK4700F-S¹	K4700F-S	K4700F-9
except below	1996-1998	4R70W	MRK4700J-S⁴	K4700J-S⁴	K4700F-9
with 3.8L Engine	1999-03	4R70W	MRK4700K-S⁴	K4700K-S⁴	K4700K-9
with 4.6L Engine	1998-03	4R70W	MRK4700K-S⁴	K4700K-S⁴	K4700K-9
	2004	4R70W/E	MRK4700N-S^{4,5}	K4700N-S^{4,5}	K4700K-9
Thunderbird &	1994-1995	4R70W	MRK4700F-S	K4700F-S	K4700F-9
Cougar:	1996-1998	4R70W	MRK4700J-S⁴	K4700J-S⁴	K4700F-9
Lincoln Town Car:	1992-1994	AOD-E	MRK4700E-S	K4700E-S	K4700E-9
	1995	4R70W	MRK4700G-S	K4700G-S	K4700E-9
	1996-97	4R70W	MRK4700H-S	K4700H-S	K4700E-9
	1998-03	4R70W	MRK4700K-S⁴	K4700K-S⁴	K4700K-9
	2004-On	4R70W/75E	MRK4700N-S^{4,5}	K4700N-S^{4,5}	K4700K-9
Lincoln Mark VIII:	1993-1995	4R70W	MRK4700F-S	K4700F-S	K4700F-9
	1996	4R70W	MRK4700J-S	K4700J-S	K4700F-9
	1997	4R70W	MRK4700K-S	K4700K-S	K4700K-9
All Trucks with AOD:	7/19/83-89	AOD	MRK4700A-S²	K4700A-S	K4700-9
w/Cast Iron Drums	1990-1992	AOD	MRK4700A-S²	K4700A-S	K4700A-9
w/Steel Drums	1992-1993	AOD	MRK4700C-S²	K4700A-S	K4700E-9
"E" Series Vans:	1994-1995	4R70W	MRK4700F-S²	K4700F-S	K4700F-9
	1996	4R70W	MRK4700J-S	K4700J-S	K4700F-9
	1997-03	4R70W	MRK4700K-S⁴	K4700K-S⁴	K4700K-9
	2004-On	4R70/75W	MRK4700N-S^{4,5}	K4700N-S^{4,5}	K4700K-9
"F" Series Trucks:	1994-1995	4R70W	MRK4700F-S²	K4700F-S	K4700F-9
& Lincoln Truck	1996-1998	4R70W	MRK4700J-S⁴	K4700J-S⁴	K4700F-9
	1999-03	4R70W	MRK4700K-S⁴	K4700K-S⁴	K4700K-9
w/4.2L & 4.6L Engine	2004-On	4R70/5E	MRK4700N-S^{4,5}	K4700N-S^{4,5}	K4700K-9
with 5.4L Engine	2004-On	4R70/5W	MRK4700N-S^{4,5}	K4700N-S^{4,5}	K4700K-9
Expedition:	1997-1998	4R70W	MRK4700J-S⁴	K4700J-S⁴	K4700F-9
	1999-03	4R70W	MRK4700K-S⁴	K4700K-S⁴	K4700K-9
	2004-07	4R70/75E/W	MRK4700N-S^{4,5}	K4700N-S^{4,5}	K4700K-9
Explorer w/V8 :	1996-1998	4R70W	MRK4700J-S⁴	K4700J-S⁴	K4700F-9
	1999-2001	4R70W	MRK4700K-S⁴	K4700K-S⁴	K4700K-9
Mountaineer:	1997-1998	4R70W	MRK4700J-S⁴	K4700J-S⁴	K4700F-9
	1999-2001	4R70W	MRK4700K-S⁴	K4700K-S⁴	K4700K-9

¹ Please order **26014** Extension Housing Bushing and **45551** Rear Seal separately.

² Includes **2WD** Filter Only.

³ Some **Police** units may utilize **.066" Intermediate Frictions**, if so, for '95 order "**F-S**" and "**F-9**" if steels are needed; for '96 -'97 order "**J-S**," and "**F-9**" if steels are needed.

⁴ **1998-On** units require Mercon "5" fluid, please order **SBMV** or **LGMV** fluid supplement separately.

⁵ For 2004-On units, please order **47842N** Molded Rubber Intermediate Piston separately.

Ford AOD, AOD-E, 4R70E/W, and 4R75E/W

ILL. NO.	PART NUMBER	AOD	AOD-E 4R70W	DESCRIPTION	YEARS
OVERHAUL KITS, GASKET SETS, AND SEAL KITS					
---	K47900	1		Overhaul Kit	1980-93
---	K47900E		1	Overhaul Kit	1992-95
---	K47900J ⁴		1	Overhaul Kit	1996-03
---	K47900N ^{4,5}		1	Overhaul Kit	2004-On
---	K47900-1	1		Gasket and Rubber Kit Duraprene	1980-93
---	K47900E-1		1	Gasket and Rubber Kit Duraprene	1992-95
---	K47900J-1 ⁴		1	Gasket and Rubber Kit Duraprene	1996-03
---	K47900N-1 ^{4,5}		1	Gasket and Rubber Kit Duraprene	2004-On
---	K47900-7	1		Front Pump Seal-Up Kit	1980-93
---	K47900E-7		1	Front Pump Seal-Up Kit	1992-On
---	K47900-8	1		External Seal-Up Kit	1980-93
---	K47900E-8		1	External Seal-Up Kit	1992-On
---	K47900-3	1		Valve Body Gasket Set	1980-89
---	K47900A-3		1	Valve Body Gasket Set	1990-93
---	K47900E-3		1	Valve Body Gasket Set w/o 47107E	1992-95
---	K47900J-3		1	Valve Body Gasket Set All	1996-On
GASKET AND RUBBER COMPONENTS					
1E	47170	1		Pan Gasket Duraprene	1980-93
1E	47170E		1	Pan Gasket Duraprene	1992-On
1E	47170ER		1	Pan Gasket Molded Rubber	1992-On
2A	47100	1	1	Front Pump Lathe Cut Seal	1980-On
3A	47101		1	Front Pump Gasket	1980-93
3A	47101E		1	Front Pump Gasket	1992-On
---	47122	1		Output Shaft to Yoke O'Ring	1980-93
5D	47104	1	1	Extension Housing Gasket	1980-95
5D	47104J		1	Extension Housing Gasket (w/Silicone Bead)	1996-08
5D	47104T		1	Extension Housing Gasket (w/Silicone Bead)	2009-On
6E	47102	1		Valve Body Gasket Upper	1980-93
6E	47102E		1	Valve Body Gasket Upper	1992-95
6E	47102J		1	Valve Body Gasket (Green) Upper	1996-On
7E	47103	1		Valve Body Gasket Lower	1980-89
7E	47103A		1	Valve Body Gasket Lower	1990-93
7E	47103E		1	Valve Body Gasket Lower	1992-95
7E	47103J		1	Valve Body Gasket (White) Lower	1996-00
7E	47103K		1	Valve Body Gasket (Light Blue) Lower	2001-On
8E	47107E		1	Valve Body Cover Gasket (w/Silicone Bead)	1992-95
8E	47107J		1	Valve Body Cover Gasket (Thick Paper Gasket)	1996-On
---	37140	AR	AR	Valve Body Check Ball Viton 5/16"	1980-On
9E	47120	1		Oil Filter Gasket	1980-93
10E	3291L	1	1	Filler Tube O'Ring	1980-On
---	3410L	1		Speedometer Housing O'Ring	1980-93
---	66123	4		Cooler Connector O'Ring	1980-93
---	47508C	1		Throttle Valve Grommet (Plastic) Carb. Side	1980-93
---	K47508M	1		Throttle Valve Grommet (Metal) Carb. Side - 3-Piece Kit	1980-93
---	6507C	1	1	Gear Shift Arm Grommet	1980-On
CLUTCH PLATES					
20A	47308	3	4	Intermediate Friction076"	1980-97
20A	47308F		4	Intermediate Friction (4R70W)066"	1993-On
21A	47309	3	3	Intermediate Steel069"	1980-On
21A	47309A	AR	4	Intermediate Steel (4R70W)079"	1980-On
21A	47309B	AR	AR	Intermediate Steel089"	1980-On
21A	47309C	AR	AR	Intermediate Steel097"	1980-On
22A	47312F	AR	AR	Intermediate Pressure Plate256"	1993-On

AOD / 4R70W

Ford AOD, AOD-E, 4R70E/W, and 4R75E/W - Cont'd.

ILL. NO.	PART NUMBER	AOD	AOD-E 4R70W	DESCRIPTION	YEARS
CLUTCH PLATES - Cont'd.					
25B	47321	3-4		Reverse Friction (Before 7/19/83) .48T, .079" - 5.236" O.D.	1980-83
25B	47307	3-4	3-4	Reverse Friction (From 7/19/83) 48T, .064" - 5.236" O.D.	1983-On
26B	6205	2-3		Reverse Steel (w/Cast Drum) 54T, .070" - 3.897" I.D.	1980-93
26B	6222B	AR		Reverse Steel Oversized, .090"	1980-93
26B	47322E	3	3	Reverse Steel (w/Steel Drum) 32T, .068" - 3.897" I.D.	1992-On
27B	47315E		1	Reverse Apply Plate (Bevelled - w/Steel Drum)	1992-On
28B	47316E		1	Reverse Pressure Plate (w/Steel Drum)	1992-On
30B	47307	5		Forward Friction (w/Cast or Steel Drum) .064" - 5.236" O.D.	1980-On
30B	47307E	5	5	Forward Friction (w/Steel Drum) ... 45T, .064" - 5.330" O.D.	1990-On
31B	6205	5		Forward Steel (w/Cast Drum) 54T, .070" - 3.897" I.D.	1980-90
31B	6222B	AR		Forward Steel Oversized, .090"	1980-90
31B	47306E	5	5	Forward Steel (w/Steel Drum)069"	1990-On
34C	47304	4-6	4-6	Direct Friction 42T, .071" - 4.653" O.D.	1980-On
34C	47304T	AR	AR	Thin Direct Friction 42T, .059" - 4.653" O.D.	1980-On
34C	47304K	4-6	4-6	Direct Friction (High Energy) 42T, .066" - 4.685" O.D.	1997-On
35C	47305	4-6	4-6	Direct Steel (w/Cast Drum) 28T, .069" - 3.658" I.D.	1980-93
35C	47305T	AR	AR	Thin Direct Steel (w/Cast Drum) 28T, .059" - 3.658" I.D.	1980-93
35C	47305E	5-6	5-6	Direct Steel (w/Steel Drum) 34T, .069" - 3.658" I.D.	1990-On
35C	47305ET	7-8	7-8	Thin Direct Steel (w/Steel Drum) 34T, .059" - 3.658" I.D.	1990-On
35C	47305K	5-6	5-6	Direct Steel (w/Steel Drum) 34T, .079" - 3.658" I.D.	1997-On
36C	47313	AR		Direct Pressure Plate (w/Cast Drum)	1980-93
36C	47313E	AR	AR	Direct Pressure Plate (w/Steel Drum)	1990-On
---	K47350 ⁶	1		Direct Clutch Pack Kit (w/Cast Drum)	1980-93
---	K47350E ⁶	1	1	Direct Clutch Pack Kit (w/Steel Drum)	1990-On
⁶ Upgrades Clutch Drums to Accommodate 7-8 Friction Plates.					
METAL CLAD SEALS					
40A	47526	1		Front Pump w/o Flange	1980-93
40A	47526E		1	Front Pump	1992-On
41D	45551	1	1	Extension Housing w/o Boot	1980-On
41D	45551B	1	1	Extension Housing w/Boot	1980-On
41D	47551F	1	1	Extension Housing (4R70/75W) w/Boot	1993-On
42E	26507	1	1	Manual Lever	1980-On
---	47507	1		Throttle Lever	1980-93
BUSHINGS					
---	K47980	1		Bushing Assortment Kit (AOD)	1980-93
---	K47980E		1	Bushing Assortment Kit (AOD-E)	1992-95
---	K47980F		1	Bushing Assortment Kit (4R70/75E/W)	1993-On
45A	47005	1	1	Front Pump Bronze	1980-On
45A	36002B	1	1	Front Pump Babbitt	1980-On
46A	47001	1		Stator Support	1980-93
46A	36000A		1	Stator Support Front - 1.127" O.D.	1992-On
46A	47013E		1	Stator Support Front - 1.119" O.D.	1992-On
47A	36001A		1	Stator Support Rear - 1.127" O.D.	1992-On
47A	47014E		1	Stator Support Rear - 1.119" O.D.	1992-On
48A	47002	1	1	Reverse Clutch Drum Front - Narrow	1980-On
49A	47003	1	1	Reverse Clutch Drum Rear - Wide	1980-On
---	47004	1		Input Shaft	1980-93
51B	47008	2	2	Sun Gear	1980-On
52B	47007	1	1	Forward Clutch Sun Gear	1980-On
53C	47010	1	1	Center/Planetary Support	1980-On

Ford AOD, AOD-E, 4R70E/W, and 4R75E/W - Cont'd.

ILL. NO.	PART NUMBER	AOD	AOD-E 4R70W	DESCRIPTION	YEARS
BUSHINGS - Cont'd.					
54C	47011	1	1	Planetary Carrier Front - 2.77" O.D.	1980-On
55C	47012	1	1	Planetary Carrier Rear - 1.38" O.D.	1980-On
56C	47006	1		Direct Clutch Drum (Cast Iron) . Can use 47006E in Cast Drums	1980-92
56C	47006E	1	1	Direct Clutch Drum (Steel Drum)	1990-On
57D	47009	1	1	Case	1980-On
---	47051	AR	AR	Flanged Sleeve to Replace Case Bearing and Bushing	1980-95
---	47050	AR		Governor Bore Repair Sleeve Use w/K47911 Tool	1980-93
---	47050E		AR	Governor Bore Repair Sleeve Use w/K47911 Tool	1992-On
58D	26014	1	1	Extension Housing	1980-95
58D	47018F		1	Extension Housing (4R70/75 Only) Larger Bore	1993-On
---	47054E	1	1	O/D Servo Bushing/Sleeve (Use w/Northland Servo Bore Tool)	1993-On
THRUST WASHERS AND BEARINGS					
---	K47940	1	1	Thrust Washer Kit w/Selectives (* Included) ... All	1980-On
---	K47941	1	1	Thrust Needle Bearing Kit AOD/AOD-E	1980-95
---	K47941F		1	Thrust Needle Bearing Kit (K47420N not Included) 4R70/75E/W	1993-On
60A	47401*	AR	AR	Front Pump Selective - # 1052"	1980-On
60A	47401A*	AR	AR	Front Pump Selective - # 2070"	1980-On
60A	47401B*	AR	AR	Front Pump Selective - # 3087"	1980-On
60A	47401C*	AR	AR	Front Pump Selective - # 4104"	1980-On
60A	47401D*	AR	AR	Front Pump Selective - # 5121"	1980-On
61B	47402*	1		Reverse Drum Washer 6 Tabs	1980-93
61B	47425	1	1	Reverse Drum Needle Bearing (Late Design)	1981-On
62B	47421	1	1	Forward Clutch Hub Needle Bearing Front	1980-On
63B	47420	1	1	Forward Clutch Hub Needle Bearing Rear	1980-On
64B	47420	1	1	Reverse Clutch Gear to Fwd. Sun Gear Bearing (.130")	1980-95
64B	47420F	1	1	Reverse Clutch Gear to Fwd. Sun Gear Bearing (.170")	1993-E/03
64B	K47420N	1	1	Reverse Clutch Gear to Fwd. Sun Gear Bearing & Race (.205")	L/03-On
65C	47423	1	1	Direct Clutch Needle Bearing Inner	1980-On
66C	47403G	1	1	Direct Clutch Washer/Seat ('94 Upgrade - Grooved to Retain Snap Ring)	1980-On
---	47404	AR	AR	Planetary Washer Replaces Bearing in Planet	1980-On
67C	47422	1	1	Direct Clutch Needle Bearing Single Race - Outer	1980-91
67C	47422A	1	1	Direct Clutch Needle Bearing Double Race - Outer	1991-On
---	47051	AR	AR	Flanged Sleeve to Replace Case Bearing and Bushing	1980-95
68D	47424	1	1	Case Needle Bearing AOD/AOD-E	1980-95
68D	47424J	1	1	Case Needle Bearing (Late Design)	1993-On
SEALING RINGS					
---	K47901A	1		Sealing Ring Kit	1980-93
---	K47901E		1	Sealing Ring Kit	1992-03
---	K47901N		1	Sealing Ring Kit	2004-On
70A	47201	2	2	Reverse Clutch Metal	1980-On
71A	47200	2		Forward Clutch Black - Metal	1980-93
71A	47200E	2	2	Forward Clutch (I.D. & O.D. Chamfer) Nitrated	1992-03
71A	47200N	2		Forward Clutch Plastic	2004-On
72B	47211T	2		Input Shaft Teflon	1992-On
72B	47211ST	AR		Input Shaft (not in kits) Solid Teflon	1992-On
73C	47202T	2	2	Direct Clutch Teflon	1980-On
73C	45210LST	AR	AR	Direct Clutch (not in kits, use w/T1618) Solid Teflon	1980-On
73C	47202NT	2	2	Direct Clutch Solid Teflon	2004-On
74C	47205A	4	3	Governor/Output Shaft Seal Plated	1980-On
---	47206	1		3-4 Accumulator Teflon	1980-93
76E	47204	1		2-3 Accumulator-Upper Teflon	1980-93
77E	47203	1		2-3 Accumulator-Lower Teflon	1980-93

AOD / 4R70W

Ford AOD, AOD-E, 4R70E/W, and 4R75E/W - Cont'd.

ILL. NO.	PART NUMBER	AOD-E		DESCRIPTION	YEARS
		AOD	4R70W		
BANDS					
78A	47714	1		Overdrive (Use w/Cast Drum) 1.500" Wide	1980-93
78A	47714E	1	1	Overdrive (Use w/Steel Drum) 2.000" Wide	1992-On
78A	47714EHD	1	1	Overdrive (Use w/Steel Drum - High Energy)2.000" Wide	1992-On
79C	47720	1	1	Reverse All	1980-On
TRANSMISSION OIL FILTERS					
80E	47600	1		Oil Filter 2WD	1980-93
80E	47601	1		Oil Filter 4x4	1980-93
80E	47600E		1	Oil Filter 2WD	1992-95
80E	47600G		1	Oil Filter with 1" Inlet Neck..... 2WD	1996-On
80E	47600G		1	Oil Filter with 1" Inlet Neck..... 4x4	1994-On
81E	ATK-43	1		Oil Filter Kit 2WD	1980-93
81E	ATK-67	1		Oil Filter Kit 4x4	1980-93
81E	ATK-134		1	Oil Filter Kit 2WD	1992-95
81E	ATK-160		1	Oil Filter Kit with 1" Inlet Neck 2WD	1996-On
81E	ATK-160		1	Oil Filter Kit with 1" Inlet Neck 4x4	1994-On
---	47610E		1	Valve Body Screen	1992-On
---	47611	1	1	Governor/Lube Screen	1987-On
SPRAGS AND ROLLER CLUTCHES					
82A	47811	1	1	Intermediate Sprag Race 54 Teeth - 5 3/4" O. D.	1980-97
82A	47814H	1	1	Intermediate Sprag (Blue/Green Plastic) .. 7 Rollers	1980-97
82A	47814F		1	Intermediate Sprag 14 Rollers	1993-97
82A	47814L		1	Intermediate Sprag Mechanical Diode	1998-06
82A	47814LHD		1	Intermediate Sprag .. Mechanical Diode, More Elements, Snap-Ring Design	2007-On
83C	34402A	1	1	Planetary Overrun Roller Clutch.....	1980-On
PISTONS, SERVOS AND ACCUMULATORS					
85A	47842N		1	Intermediate Clutch Piston (Molded Rubber).....	2004-On
87C	47843E	1	1	Direct Clutch Piston (Aluminum, For Steel Drum)	1990-On
88E	K47826HD	1		O/D Servo Piston ("A" and Cover, OEM)	1980-92
88E	K47826HP	1		O/D Servo Piston ("A" Plus Super Servo and Cover)	1980-92
88E	47826E		1	O/D Servo Piston - 2.728" O. D. (Molded Rubber)	1992-On
88E	K47826E		1	O/D Servo Piston and Sleeve - 2.528" O. D. (Molded Rubber)	1992-On
88E	K47826EHP		1	O/D Servo Piston (Super Servo - Firmer 4th)	1992-On
89E	47828A	1	1	Reverse Servo Piston (Rubber) 1-Groove - 3.316"	1980-On
89E	47828	1	1	Reverse Servo Piston (Rubber) 2-Groove - 3.369"	1980-On
89E	47828B	1	1	Reverse Servo Piston (Rubber) 3-Groove - 3.423"	1980-On
90E	47829	1	1	Reverse Servo Piston Cover (Molded Rubber)	1980-On
91E	47782 ⁷		1	1-2 Accumulator Piston (Molded Rubber)	1992-On
92E	47781 ⁷		1	1-2 Accumulator Piston Cover (Molded Rubber)	1992-On
---	K47782W		1	1-2 Accumulator Piston/Sleeve Kit (Renews Worn Bore, Use w/47582 Tool)	1992-On
				⁷ See Miscellaneous Section for 1-2 Accumulator Springs.	
93E	47783 ⁸	1	1	2-3 Accumulator Piston (Molded Rubber)	1992-On
				⁸ Will Retrofit All AOD Transmissions.	

Ford AOD, AOD-E, 4R70E/W, and 4R75E/W - Cont'd.

ILL. NO.	PART NUMBER	AOD	AOD-E 4R70W	DESCRIPTION	YEARS
SHIFT ENHANCEMENTS AND VALVES					
---	K47944 ⁹	1		Valve Body Shift Kit TransGo ⁹ Addresses: 1-2 & 2-3 Slide or Bump, O/D Band Failure and Falls Out of 4th.	1980-93
---	ST47944	1		Shift Correction Package Superior	1980-93
---	AOD-HP ¹⁰	1		Reprogramming Kit TransGo	1980-93
---	ST47944HP	1		High Performance Correction Package Superior	1980-93
---	K47944E ¹¹	1	1	Valve Body Shift Kit TransGo ¹¹ Addresses: 4th Band Failure, 2nd Roller Failure, Long Soft Upshifts & TCC.	1992-On
---	ST47944E	1		Shift Correction Package Superior	1992-On
---	ST47944NPT	1		Shift Correction Package Superior - Power Tow	2004-On
---	SC-AODE	1		Sure Cure Kit (No Reamers Required) Sonnax	1992-95
---	SC-AODE-1	1		Sure Cure Kit (No Reamers Required) Sonnax	1996-On
---	AODE-HD ¹²	1		Reprogramming Kit TransGo	1992-On
---	K47889 ¹³	1		Pressure Regulator Boost Valve and Sleeve Kit (Factory Ratio)	1980-93
---	K47889HP ¹³	1		Pressure Regulator Boost Valve and Sleeve Kit (High Ratio)	1980-93
---	K47889E ¹³	1		Pressure Regulator Boost Valve and Sleeve Kit	1992-On
---	K47889ELB	1		Line Pressure Booster Kit (Sonnax)	1992-On
---	47898E ¹³	1		Main Pressure Regulator Valve (Sonnax)	1992-95
---	47898J ¹³	1		Main Pressure Regulator Valve (Sonnax)	1996-On
---	K47898JW ¹³	1		Main Pressure Regulator Valve (Sonnax, Oversized, Use w/K47598J Reamer)	1996-On
---	ST47898E ¹³	1		Main Pressure Regulator Valve (Superior)	1992-05
---	K47886 ¹³	1		Throttle Control Valve and Plunger Kit (Use w/47586 Reamer)	1980-93
---	K47887	1		Throttle Valve and Sleeve Kit	1980-93
---	K47768E ¹³	1		Pressure Regulator Spring (Sonnax, [5] Elevated Pressure Springs)	1992-95
---	K47768J ¹³	1		Pressure Regulator Spring & P.R. Valve Kit (Sonnax, Elevated Pressure)	1996-On
---	K47881E	1		EPC Limit Capsule (Excessive EPC Pressure, Use w/K47581E Tool Kit)	1992-On
---	47897E ¹⁴	1		Bypass T.C.C. Clutch Control Valve (Oversized, Use w/K47597E Reamer)	1992-On
---	K47887E ¹⁴	1		Bypass T.C.C. Clutch Control Sleeve and Plunger Valve	1992-On
---	K47884E	1		Solenoid Regulator Valve Kit (Sonnax, Use w/47584E Reamer)	1992-On
---	K47883E	1		O/D Servo Regulator Boost Valve Kit (Sonnax, 4R70W)	1993-On
ELECTRONIC COMPONENTS					
95E	47871		1	Dual Pack Shift Solenoids	1992-97
95E	47871L		1	Dual Pack Shift Solenoids (Hardwire Style)	1998-08
95E	47871T		1	Dual Pack Shift Solenoids (Softwire Style)	2009-On
96E	47870E ¹⁵		1	TCC Solenoid Brown Connector, 1.0-3.0 Ohms ¹⁵ Except 1995 Town Car, Grand Marquis and Crown Victoria.	1992-95
96E	47870J ¹⁶		1	TCC Solenoid White Connector, 10-16 Ohms ¹⁶ Also Fits 1995 Town Car, Grand Marquis and Crown Victoria.	1996-97
96E	47870L		1	TCC Solenoid (Hardwire Style)	1998-08
96E	47870T		1	TCC Solenoid (Softwire Style)	2009-On
97E	47879		1	Pressure Control Solenoid All	1992-97
97E	47879M		1	Pressure Control Solenoid (Hardwire w/Retainer Slot .286" from Body)	1998-04
97E	47879P		1	Pressure Control Solenoid (Hardwire w/Retainer Slot Next to Body)	2005-08
97E	47879T		1	Pressure Control Solenoid (Softwire Style)	2009-On
---	47883		1	Updated EPC Bracket	1992-95
---	47883J		1	Updated EPC Bracket	1996-97
98E	53878T		1	Transmission Oil Temperature Sensor	1992-97
99E	47869E		1	Internal Wiring Harness	1992-97
99E	47869L		1	Internal Harness w/Temp. Sensor (Hardwire Plastic, Use w/47878L)	1998-08
99E	47869T		1	Internal Harness w/Temp. Sensor (Softwire, Use w/47878T)	2009-On
100E	47878L		1	Case Connector (Use w/47869L Hardwire Harness)	1998-08
100E	47878T		1	Case Connector (Use w/47869T Softwire Harness)	2009-On

AOD/4R70W

Ford AOD, AOD-E, 4R70E/W, and 4R75E/W - Cont'd.

ILL. NO.	PART NUMBER	AOD	AOD-E 4R70W	DESCRIPTION	YEARS
ELECTRONIC COMPONENTS - Cont'd.					
---	47875N		1	Turbine Speed Sensor (Some Models) Center of Case	2004-On
101E	47876		1	Output Speed Sensor (Two O'Rings)	1992-00
101E	47876M		1	Output Speed Sensor (One O'Ring, Square Connector)	2001-03
101E	47876N		1	Output Speed Sensor (Square Connector - .100" Shorter Body)	2004-On
102E	37876	1	1	Vehicle Speed Sensor w/Speedo-Cable	1990-93
102E	53876E	1	1	Vehicle Speed Sensor w/o Speedo-Cable	1994-On
102E	37876H		1	Vehicle Speed Sensor Trucks	1997-On
---	37876D		1	Vehicle Speed Sensor (On Differential) Trucks	1990-On
---	53855VC		1	Vehicle Speed Sensor Repair Harness (Vehicle Harness Side)	1992-On
103E	K47877A ¹⁷		1	Manual Lever Position Sensor Upgrade Kit (Analog 8-Pin)	1992-97
				¹⁷ Except Below.	
103E	47877G ¹⁸		1	Manual Lever Position Sensor Analog, 8-Pin w/.862" Bolt Spacers	1995-98
				¹⁸ Crown Vic., Grand Marq. and Towncar.	
103E	47877K ¹⁹		1	Trans. Range Sensor (TRS) .. Digital, 11-Pin w/.535" Bolt Spacers	1997-On
				¹⁹ All Trucks, Vans and Mark VIII w/ 11 or 12-Pin Connector.	
103E	47877K ²⁰		1	Trans.Range Sensor (TRS) ... Digital, 11-Pin w/.535" Bolt Spacers	1998-On
				²⁰ All Mustangs.	
103E	47877L ²¹		1	Trans.Range Sensor (TRS) ... Digital, 11-Pin w/.862" Bolt Spacers	1998-On
				²¹ All Cars Except Mustang and MarkVIII.	
---	47859EVC		1	Case Connector Harness Repair Kit (Vehicle Harness Side)	1992-On
---	CSII		1	Compushift Kit (Stand-Alone Controller, Wire Loom and Self-Adjusting TPS)	All
---	CSLCD		1	Compushift Remote Display/Calibrator	All
---	8HC		1	Speedometer Driver for Mechanical Speedometers	All
MISCELLANEOUS					
---	K53881	1		V.B Relief Valve Kit (10 Pieces, Sonnax)	1980-93
---	M123	2	2	Cooler Line Case Fitting Quick Connect - 5/16" Tube	1983-On
---	47508C	1		Throttle Valve Grommet (Plastic) Carb. Side	1980-93
---	K47508M	1		Throttle Valve Grommet (Metal) Carb. Side - 3-Piece Kit	1980-93
---	6507C	1	1	Gear Shift Arm Grommet	1980-On
---	K47851HP	1		Custom Replacement Input Shaft (TransGo, Allows C6 Converter in AOD)	1980-93
---	47255HD	1	1	Direct Drum Shaft Retaining Ring (5 Pieces - Prevents Lube Shut-Off)	1980-On
104E	K47734 ²²	1		O'Ringed Overdrive Servo Piston Pin Kit	1980-93
104E	K47734E ²²	1	1	O'Ringed Overdrive Servo Piston Pin Kit	1992-On
104E	ST47734E ²²	1	1	Overdrive Servo Piston Pin (Superior, Adjustable w/Jimmy Clip)	1992-On
				²² Prevents O/D Band and Forward Clutch Burn-Up.	
105E	47257E		1	O/D Servo Snap Ring	1992-On
---	47771	1		1-2 Accumulator Spring	1980-93
106E	47771W ²³		1	1-2 Accumulator Spring (Bottom - White)	1992-On
107E	47771PK ²³		1	1-2 Accumulator Spring (Top - Pink)	1992-On
				²³ When used with 47781 & 47782, these two springs will work in all vehicles.	
108E	K47773E		1	2-3 Accumulator Spring Kit (No Coil Bind Design , 3 Units)	1992-On
108E	47773	1	1	2-3 Accumulator Spring (Black)	1980-03
108E	47773N		1	2-3 Accumulator Spring (Brown)	2004-On
---	SBMV		1	Mercon "5" Supplement (Smart Blend)	1997-On
---	LGMV		1	Mercon "5" Supplement (Lube Gard)	1997-On
HARD PARTS					
Note : When ordering Hard Parts, please add the appropriate suffix : (-R) Reman, (-U) Used, (-A) Aftermarket.					
109A	K47895A	1		Pump Assembly AOD	1983-93
109A	K47895E		1	Pump Assembly AOD-E	1992-95
109A	K47895F		1	Pump Assembly 4R70W w/Aluminum Piston Type	1993-03
109A	K47895N		1	Pump Assembly w/Bonded Piston Type	2004-On

Ford AOD, AOD-E, 4R70E/W, and 4R75E/W - Cont'd.

ILL. NO.	PART NUMBER	AOD	AOD-E 4R70W	DESCRIPTION	YEARS
HARD PARTS - Cont'd.					
Note : When ordering Hard Parts, please add the appropriate suffix : (-R) Reman, (-U) Used, (-A) Aftermarket.					
110A	K36965	1		Pump Gear Package AOD	1980-93
110A	K47965E		1	Pump Gear Package570"	1992-95
110A	K47965F		1	Pump Gear Package610"	1993-On
111A	47812E		1	Stator Support	1992-03
82A	47811	1	1	Intermediate Sprag Race 54 Tooth - 5 3/4" O. D.	1980-97
---	K47838	1	1	Intermediate Sprag Retainer and Snap Ring Kit	1980-03
---	K47838A	1	1	Intermediate Sprag Retainer and Spiral Snap Ring Kit	1980-03
113A	47252	1	1	Intermediate Sprag Retainer Snap Ring	1980-On
---	K47252A	1	1	Intermediate Sprag Retainer Spiral Snap Ring Kit	1980-On
115A	47806A	1		Reverse Clutch Drum Cast Iron - Bearing Type, 4-Clutch	1980-93
115A	K47806HD ²⁴	1	1	Reverse Clutch Drum and Mechanical Diode Upgrade Package for AOD	1980-93
²⁴ This Upgrade Package allows the conversion of a 1980-89 AOD to a Mechanical Diode and a Wide O/D Band. This Kit includes a Reverse Drum, Piston, Diode, Sun Shell, Apply Plate, Pressure Plate, Steel Plates, Bearing and Wide O/D Band.					
115A	47806H	1		Reverse Clutch Drum Stamped Steel - 7-Roller Type	1992-97
115A	K47806L	1		Reverse Clutch Drum and Mechanical Diode Package	1992-On
115A	47806L	1		Reverse Clutch Drum (For Mechanical Diode)	1998-On
116A	47846E	1	1	Reverse Drum Piston (For Steel Drums Only)	1980-On
117A	47839	1	1	Reverse Clutch Piston Diaphragm Spring (Return Spring)	1980-On
119B	47801E	1	1	Forward Drum (Steel) AOD-E, 4R70W	1992-On
120B	47251E	1	1	Forward Drum Snap Ring AOD-E, 4R70W	1992-On
122B	47810	1		Sun Gear Shell 36 Tooth - Cast Type	1980-90
122B	47810E	1	1	Sun Gear Shell 36 Tooth - Steel Type	1990-95
122B	47810F	1	1	Sun Gear Shell (<i>Magnetic</i>) 38 Tooth - Steel Type	1993-03
122B	47810N	1	1	Sun Gear Shell (<i>Non-Magnetic</i>) 38 Tooth - Units w/TISS	2004-On
122/3B	K47810F	1	1	Sun Gear Shell, Sun Gear & Bearing Kit (4R70/75 w/o TISS)	1993-On
122/3B	K47810N	1	1	Sun Gear Shell, Sun Gear & Bearing Kit (4R70/75 w/ TISS)	2004-On
123B	47865	1	1	Sun Gear (30-Tooth) AOD, AOD-E	1980-95
123B	47865F	1	1	Sun Gear (31T - 1.177" Gear, Uses 47420F) .. 4R70W	1993-03
123B	47865N	1	1	Sun Gear (31T - 1.167" Gear, Uses K47420N)	2004-On
124B	47254	1	1	Center Support Snap Ring (Hooked Ends)	1980-03
124B	47254N	1	1	Center Support Snap Ring (Hooked on One End)	2004-On
125C	47767HD	1	1	Anti-Clunk Spring (Aftermarket Design)	1980-On
126C	47808	1	1	Center Support 6-Lug	1980-03
126C	47808N	1	1	Center Support 5-Lug	2004-On
127C	47831	1	1	Planetary AOD, AOD-E	1980-95
127C	47831F	1	1	Planetary (Riveted)	1993-On
127C	47831N	1	1	Planetary (Welded, Updated will Retrofit to 1993)	2004-On
---	47255HD	1	1	Direct Drum Shaft Retaining Ring . Prevents Lube Shut Off	1980-On
129C	47253	1	1	Direct Drum Snap Ring (For Steel Drum)	1980-On
131C	K47763E	1	1	Direct Clutch Piston Spring Retainer and Snap Ring	1980-On
132C	K47843E	1	1	Direct Clutch Piston Kit (For Steel Drum, Inc Piston, Spring Ret & Snap Rings)	1990-On
133C	47803E	1	1	Direct Clutch Drum (Steel Drum, 6-Friction Type)	1990-On
133C	K47803E ²⁵	1	1	Direct Clutch Drum Kit (Steel Drum, For 6-Friction Upgrade)	1980-On
²⁵ Kit will retrofit back to 1980 and is a direct replacement for the Cast Iron Drum.					
135C	47864	1		Ring Gear (72T) AOD	1980-93
135C	47864E	1	1	Ring Gear (72T - w/Sensor Holes) AOD-E	1992-95
135C	47864F	1	1	Ring Gear (88T - w/Sensor Holes) 4R70W	1993-On
135C	47864N	1	1	Ring Gear (88T - w/o Sensor Holes)	2004-On
149D	47995M	1	1	Valve Body Separator Plate (Damaged at 2-3 Accumulator Location)	2000-On
150D	15-119	1		Valve Body (Reman) w/4th Accumulator Hole	1980-87
150D	15-120	1		Valve Body (Reman) w/o 4th Accumulator Hole	1988-93
150D	15-121	1	1	Valve Body (Reman) 13mm Bolt, F2 Casting	1992
150D	15-122	1	1	Valve Body (Reman) 13mm Bolt, F3 Casting	1993-95
150D	15-123	1	1	Valve Body (Reman) 10mm Bolt, Soft Wire, F6 Casting	1996-97
150D	15-124	1	1	Valve Body (Reman) 2-3 Accumulator Support, Hard Wire	1998-00
150D	15-125	1	1	Valve Body (Reman) w/o 2-3 Accumulator Support, Hard Wire	2000-08
150D	15-125A	1	1	Valve Body (Reman) w/o 2-3 Accumulator Support, Soft Wire	2009-On

AOD / 4R70W