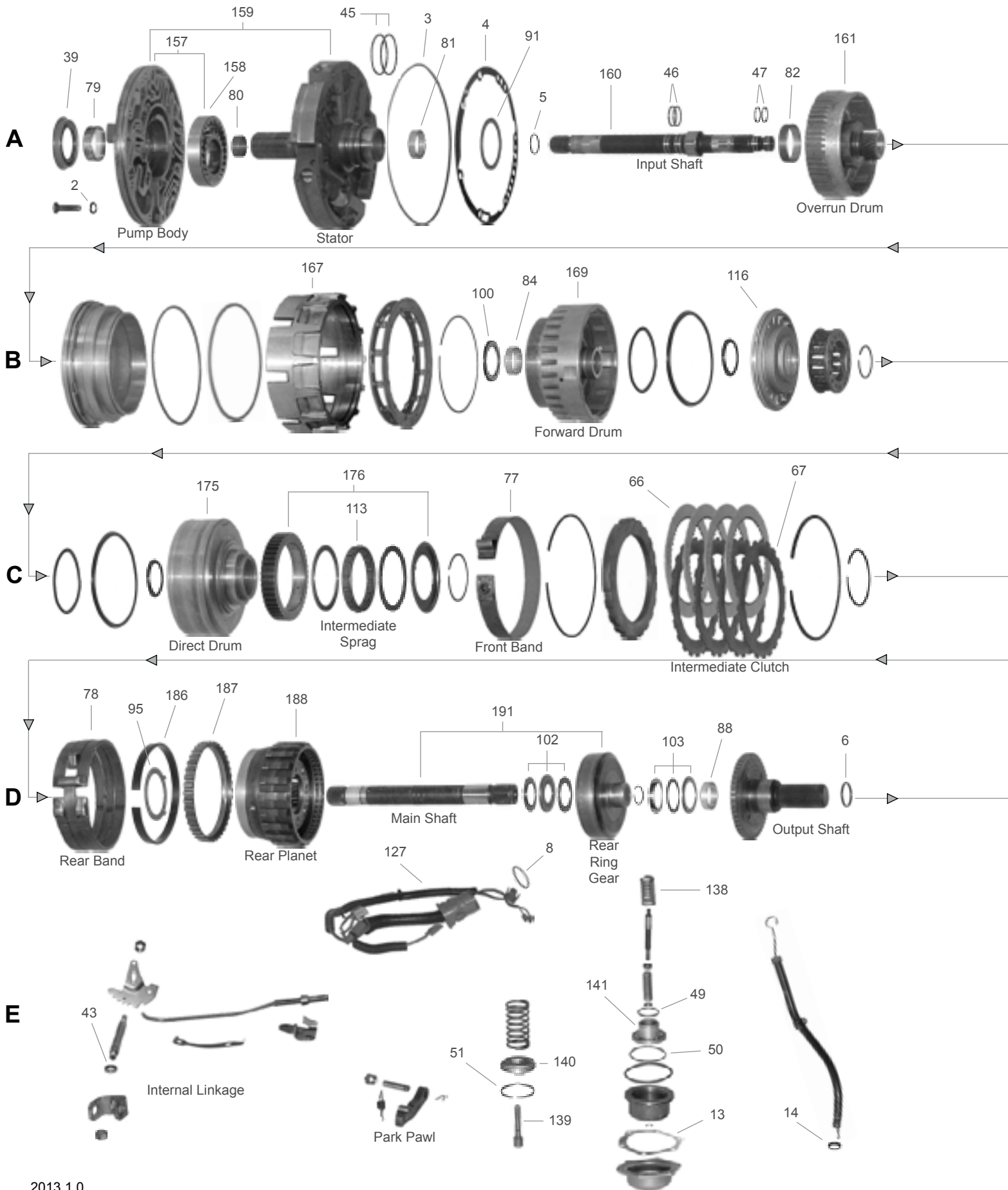
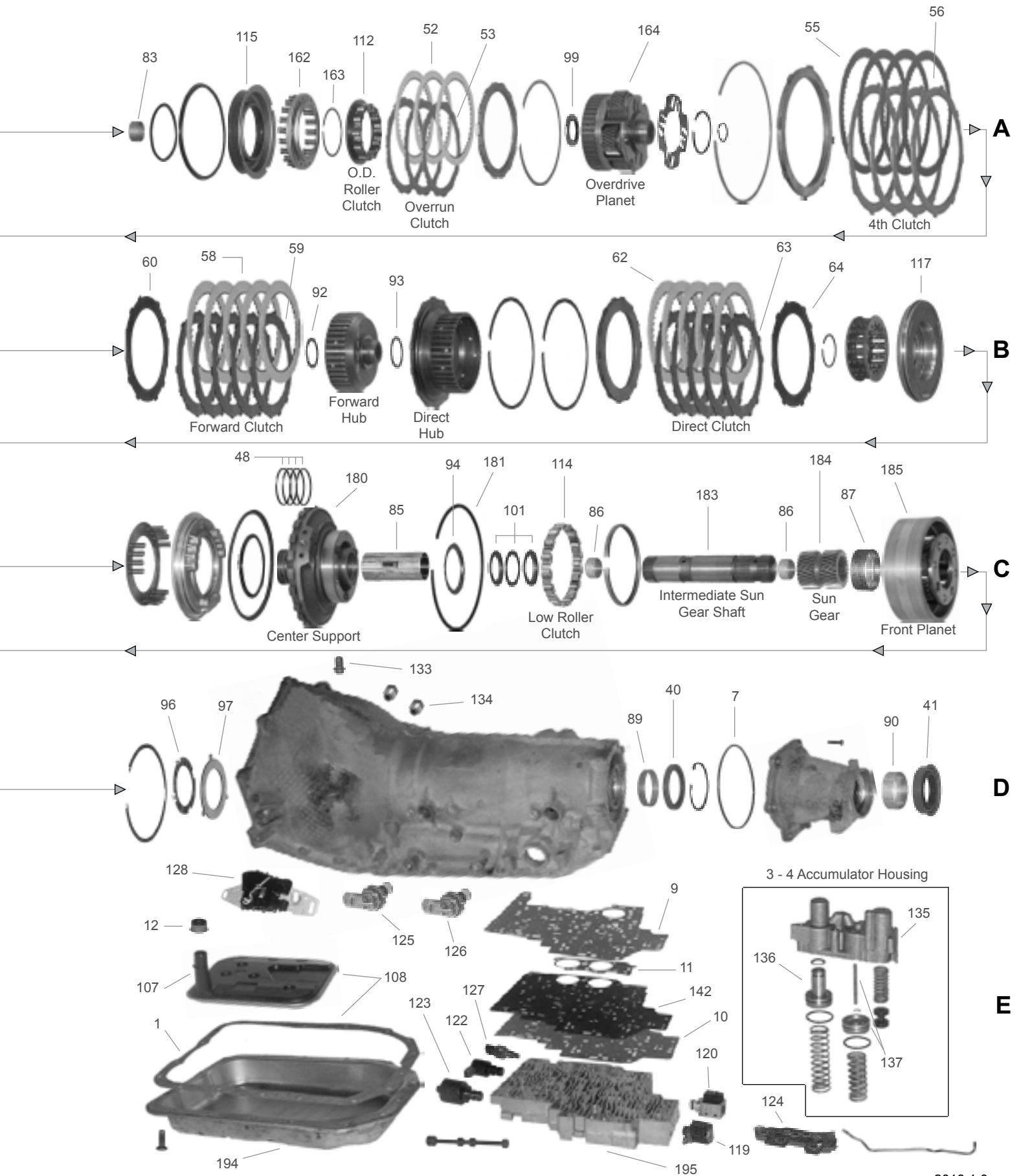


4L80E / 4L85E

RWD 4 Speed





GM 4L80-E & 4L85-E (RWD 4 Speed Overdrive)

ILL. NO.	PART NUMBER	PER CAR	DESCRIPTION	YEARS
	TM4L80E		Technical Manual	1991-On
REBUILDER BOX KITS				
---	MRK3300-S ¹		Master Rebuilder Kit (w/o Steels)	1991-95
---	MRK3300E-S ¹		Master Rebuilder Kit (w/o Steels) High Energy	1996
---	MRK3300F-S ^{1,2}		Master Rebuilder Kit (w/o Steels) High Energy	1997-On
---	K3300-S ¹		Master Kit (w/o Steels)	1991-95
---	K3300E-S ¹		Master Kit (w/o Steels) High Energy	1996
---	K3300F-S ^{1,2}		Master Kit (w/o Steels) High Energy	1997-On
Steel Plate Sub-Kits:				
---	K3300-9		Steel Plate Sub-Kit	1991-96
---	K3300F-9		Steel Plate Sub-Kit Turbulator Design	1997-On
¹ All units require a molded rubber overrun clutch piston, please order 33846 separately as needed. ² All 1997-On units utilize molded rubber pistons, see Miscellaneous Section and order separately.				
OVERHAUL KITS, GASKET SETS AND SEAL KITS				
---	K33900 ¹		Overhaul Kit	1991-96
---	K33900F ^{1,2}		Overhaul Kit	1997-On
---	K33900-1 ¹		Gasket and Rubber Kit	1991-96
---	K33900F-1 ^{1,2}		Gasket and Rubber Kit	1997-On
---	K33900-3		Valve Body Gasket Set	1991-On
---	K33900-7		Front Pump Seal-Up Kit	1991-On
---	K33900-8		Complete External Seal-Up Kit	1991-On
GASKET AND RUBBER COMPONENTS				
1E	33170	1	Oil Pan Gasket Duraprene	1991-On
1E	33170J	1	Oil Pan Gasket (Jaguar Only, Not in Kits) Duraprene	1993-98
2A	33121	7	Front Pump Bolt Washer Seal	1991-On
3A	51100	1	Front Pump to Case Seal	1991-On
4A	33101	1	Front Pump to Case Gasket	1991-On
5A	33123	1	Stator Shaft to Converter O'Ring	1991-On
---	33125	1	Lube Cup Seal (Orifices Lube to E/H Bushing - 2WD Only)	1991-On
6D	3267	1	Output Shaft O'Ring	1991-On
7D	33110	1	Extension Housing to Case Lathe Cut Seal	1991-On
8E	33122	1	Electrical Connector O'Ring	1991-On
9E	33103	1	Case to Spacer Plate Gasket	1991-On
10E	33102	1	Valve Body to Spacer Plate Gasket	1991-On
11E	33108	1	Accumulator Housing to Spacer Plate Gasket	1991-On
12E	52120	1	Oil Filter Seal	1991-On
---	33124	2	Speed Sensor O'Ring	1991-On
13E	33127	1	Rear Servo Cover Gasket	1991-On
14E	44141	1	Filler Tube Lip Seal	1991-On
METAL CLAD SEALS				
39A	33526	1	Front Pump Body	1991-On
40D	33550	1	Rear Lube Seal Located Behind Case Bushing	1991-On
41D	34743B	1	Extension Housing Boot Style	1991-On
41D	34743A	1	Extension Housing w/Bearing 2.750" Seat I.D.	1991-On
41D	34743M	1	Extension Housing w/Brake Assembly 2.888" Seat I.D.	1991-On
43E	44507	1	Manual Lever	1991-On
---	33553F	1	Center Support Lube (Cooler Line)	1997-On

GM 4L80-E & 4L85-E (RWD 4 Speed Overdrive)

4L80E / 4L85E

ILL. NO.	PART NUMBER	PER CAR	DESCRIPTION	YEARS
SEALING RINGS				
---	K33901A	1	Sealing Ring Kit	1991-On
---	K33946	1	Hi-Temp Sealing Ring and End Play Kit TransGo	1991-On
45A	33200T	2	Pump Stator Support..... Solid Teflon	1991-On
45A	33200P	2	Pump Stator Support..... PEEK Material	1991-On
46A	33201T	2	Turbine Shaft to Stator (Solid Teflon)	1991-On
47A	33202T	2	Turbine Shaft to Forward Drum (Solid Teflon)	1991-On
48C	33203T	4	Center Support	Solid Teflon 1991-On
48C	33203P	4	Center Support	PEEK Material 1991-On
49E	34710AT	1	Rear Accumulator Piston (Inner)	Teflon 1991
50E	33208T	1	Rear Accumulator Piston (Outer)	Teflon 1991
51E	33205T	1	Front Servo Piston	Teflon 1991-On
CLUTCH PLATES				
52A	33310	3	Overrun Friction	45T, .080" - 5.354" O.D. 1991-On
53A	33311	3	Overrun Steel	14T, .099" - 4.527" I.D. 1991-96
53A	33311F	3	Overrun Steel (w/7 Turbulator Slots)	14T, .099" - 4.527" I.D. 1997-On
55A	33308	4	4th Friction	60T, .080" - 7.283" O.D. 1991-On
56A	33309	4	4th Steel	8T, .099" - 6.299" I.D. 1991-96
56A	33309F	4	4th Steel (w/4 Turbulator Slots)	8T, .099" - 6.299" I.D. 1997-On
58B	34304	5	Forward Friction	42T, .080" - 5.866" O.D. 1991-95
58B	33304E	5	Forward Friction (High Energy)	42T, .080" - 5.894" O.D. 1996-On
59B	34305A	5	Forward Steel	12T, .077" - 4.566" I.D. 1991-On
60B	34305D	1	Forward Cushion Steel (Dished)	Updated 1991-96
60B	34305B	1	Forward Cushion Steel (Waved) 1991-96
60B	33305FA	1	Forward Cushion Steel (6 Teeth - 7 Waves, Can replace 12 Tooth) 1997-On
60B	33305FC	1	Forward Cushion Steel (14 Teeth - 6 Waves) 1997-On
62B	34304	5	Direct Friction	42T, .080" - 5.866" O.D. 1991-95
62B	33304E	5	Direct Friction (High Energy)	42T, .080" - 5.894" O.D. 1996-On
63B	34305C	5	Direct Steel	12T, .090" - 4.566" I.D. 1991-On
64B	34305D	1	Direct Cushion Steel (Dished)	Updated 1991-96
64B	34305B	1	Direct Cushion Steel (Waved) 1991-96
64B	33305FA	1	Direct Cushion Steel (6 Teeth - 7 Waves, Can replace 12 Tooth) 1997-On
64B	33305FC	1	Direct Cushion Steel (14 Teeth - 6 Waves) 1997-On
66C	33306	4	Intermediate Friction	47T, .080" - 6.535" O.D. 1991-95
66C	33306E	4	Intermediate Friction (High Energy)	47T, .070" - 6.535" O.D. 1996-On
67C	33307	4	Intermediate Steel	22T, .076" - 5.000" I.D. 1991-On
67C	33307FB	1	Intermediate Cushion Steel (Waved)	Some Models 1997-On
WARNING: Do not use sanded or tumbled steels with high energy frictions !!				
BANDS				
77C	34325	1	Front Band (1.000" Wide, Use w/2.530" Servo Pin)	1991-95
77C	34325HE	1	Front Band (1.250" Wide, High Energy - Use w/2.730" Servo Pin, 33732E)	1996-On
78D	34510	1	Rear Band (High Energy)	Smooth Lining 1991-On
BUSHINGS				
---	K33980	1	Bushing Assortment Kit (* Not Included)	1991-96
---	K33980F	1	Bushing Assortment Kit (* Not Included)	1997-On
79A	33005	1	Front Pump Body (Narrow - .535")	Bronze 1991-96
79A	33005F	1	Front Pump Body (Wide - .692")	Babbitt 1997-On

GM 4L80-E & 4L85-E - Cont'd.

ILL. NO.	PART NUMBER	PER CAR	DESCRIPTION	YEARS
BUSHINGS - Cont'd.				
80A	33001	1	Stator Support (Front)	1991-On
80A	33001W*	1	Stator Support (Front - Wide / Sonnax, Addresses No TCC and Code 68)	1991-On
81A	33002	1	Stator Support (Rear)	1991-On
---	33050Y*	1	Stator Support Sleeve (Renews Turbine Ring Area)	1991-On
82A	33011	1	Overrun Clutch Housing/OD Sun Gear (Front)	1991-On
83A	34002	1	Overrun Clutch Housing/OD Sun Gear (Rear)	1991-On
84B	33004	1	Forward Clutch Housing	1991-04
84B	33004M*	1	Forward Clutch Housing (PTFE Coated)	2004-On
84B	33004Y	1	Forward Clutch Housing (Omega, Wide Bushing, More Support)	1991-On
85C	34003	1	Center Support (3.50" Tall with 1 Long Slot)	1991-96
85C	33003F	1	Center Support (4.00" Tall with 3 Holes)	1997-On
86C	34002	2	Sun Gear Shaft	1991-96
86C	33006F	2	Sun Gear Shaft (w/ I.D. Oil Grooves)	1997-On
87C	34007	1	Reaction Carrier	1991-On
88D	34004A	1	Output Shaft (Inner)	1991-On
89D	33007	1	Case	1991-On
89D	33007Y*	1	Case ("No Walk Design") Aftermarket Upgrade	1991-On
90D	33008	1	Extension Housing (2WD) w/2.015" O.D.	1991-On
90D	33008H*	1	Extension Housing (2WD) w/2.021" O.D.	2002-On
---	201505	AR	Rear Roller Bearing	1991-On
THRUST WASHERS AND BEARINGS				
---	K34940	1	Thrust Washer Kit (w/o Selectives, * Not Included)	1991-On
---	K33940A	1	Thrust Washer Kit (Pump Selectives Only)	1991-On
---	K33941F	1	Thrust Bearing Kit (* Not Included)	1991-On
---	K34442	1	End-Play Shim Kit (Front or Rear, Ten - .010" Shims)	1991-On
Washers:				
91A	33400	1	Front Pump - Selective059"	1991-On
91A	33400A	1	Front Pump - Selective075"	1991-On
91A	33400B	1	Front Pump - Selective091"	1991-On
91A	33400C	1	Front Pump - Selective107"	1991-On
91A	33400D	1	Front Pump - Selective123"	1991-On
92B	34302A	1	Forward Clutch Hub (Front)	1991-On
93B	34301	1	Forward Clutch Hub (Rear) Brass - .063"	1991-On
93B	34301B*	1	Forward Clutch Hub (Rear) Plastic - .063"	1991-On
93B	K34301C*	1	Forward Clutch Hub (Rear) Brass - .078" (5-Pieces)	1991-On
93B	K34301D*	1	Forward Clutch Hub (Rear) Brass - .094" (5-Pieces)	1991-On
94C	34401	1	Center Support to Reaction Drum	1991-On
95D	34501	1	Front Internal Gear to Reaction Carrier Metal	1991-On
95D	45412*	1	Front Internal Gear to Reaction Carrier Plastic	1991-On
95D	33402H*	1	Front Internal Gear to Reaction Carrier 4L85-E	2002-On
---	33403G*	1	Rear Internal Gear Shim Front, .041"	1999-On
96D	34501	1	Output Shaft Metal	1991-On
96D	45412*	1	Output Shaft Plastic	1991-On
97D	34409A	AR	Output Shaft to Case - Selective076"	1991-On
97D	34409B	AR	Output Shaft to Case - Selective084"	1991-On
97D	34409C	AR	Output Shaft to Case - Selective092"	1991-On
97D	34409D	AR	Output Shaft to Case - Selective100"	1991-On
97D	34409E	AR	Output Shaft to Case - Selective108"	1991-On
97D	34409F	AR	Output Shaft to Case - Selective116"	1991-On
Bearings:				
99A	33420*	1	Overdrive Roller Clutch to O/D Carrier Needle Bearing (Captured)	1991-On
100B	45406	1	Overdrive Carrier to Forward Clutch Needle Bearing	1991-On
101C	K34907	1	Center Support to Sun Gear Needle Bearing Kit	1991-On
102D	33423F	1	Rear Internal Gear Needle Bearing Kit (Front - Notched For Lube Flow)	1991-On
103D	K34906	1	Rear Internal Gear Needle Bearing Kit (Rear)	1991-On

GM 4L80-E & 4L85-E - Cont'd.

4L80E / 4L85E

ILL. NO.	PART NUMBER	PER CAR	DESCRIPTION	YEARS
TRANSMISSION OIL FILTERS				
107E	33600A	1	Oil Filter	1991-96
107E	33600F	1	Oil Filter (w/Stand-off Pads for Deeper Pan)	1997-On
108E	ATK-151	1	Oil Filter Kit (Except Jaguar)	1991-96
108E	ATK-217	1	Oil Filter Kit (Jaguar)	1993-98
108E	ATK-187	1	Oil Filter Kit (w/Stand-off Pads for Deeper Pan)	1997-On
---	33610	1	Pulse Width Modulation Screen..... In the Case, See Page 1.33-10	1991-On
---	33611	1	Force Motor Screen	In V.B. Worm Tracks, See Page 1.33-10
---	33612	1	Shift Solenoid Feed Screen	In V.B. Valve Bore, See Page 1.33-10
SPRAGS AND ROLLER CLUTCHES				
112A	33815	1	Overdrive Roller Clutch	Large Roller - .310" O.D.
112A	33815G	1	Overdrive Roller Clutch	Small Roller - .195" O.D.
113C	34418	1	Intermediate Sprag Assembly	16 Elements
113C	34418HD	1	Intermediate Sprag Assembly	34 Elements
114C	34402A	1	Low Roller Clutch	1991-4/95
114C	33813D	1	Low Roller Clutch (w/Spacer Legs)	5/95-On
PISTONS				
---	K33900F-4	1	Piston Kit (* Included)	Molded Rubber
115A	33846*	1	Overrun Clutch Piston (Molded Rubber)	1991-On
116B	33841F*	1	Forward Clutch Piston (Molded Rubber)	3.400" I.D.
---	33848FA	1	Forward Clutch Inner Sleeve (Molded Rubber - .050" Orifice / No Bump)	1997-On
---	33848FB	1	Forward Clutch Inner Sleeve (Molded Rubber - .070" Orifice / 1 Bump)	1997-On
---	33848FC*	1	Forward Clutch Inner Sleeve (Molded Rubber - .086" Orifice / 2 Bump)	1997-On
(Use T2930L Tool to install sleeves.)				
117B	33843F* 4	1	Direct Clutch Piston (Molded Rubber)	3.700" I.D.
4 33843F will replace the aluminum design piston of 1991-96.				
SHIFT ENHANCEMENTS AND VALVES				
---	K33944A⁵	1	Jr. Shift Kit	TransGo
⁵ Has a relief valve to prevent excessive line pressure.				
---	ST33944	1	Shift Correction Package	Superior
---	SC-4L80E	1	Sure Cure Kit	Sonnax
---	4L80E-HD2⁶	1	Reprogramming Kit	TransGo
⁶ For hard-working trucks and Hot Rod transplants.				
---	K33657	1	Electronic Systems Eliminator (Disables EPC Sol/Computer Function at the Trans.) ..	1991-On
---	K33946	1	Hi-Temp Sealing Ring and End Play Kit	TransGo
---	K33879V	1	Vacuum Pressure Control Kit	TransGo/Not for Diesels
---	K34946	1	Reverse Accumulator Kit (Fixes "Reverse Bang")	1991-On
---	33741W⁷	1	1-2 & 3-4 Shift Valve Spring	Sonnax
⁷ For use on vehicles that have difficulty shifting into 4th, i.e. 3rd - Neutral.				
---	33896	1	Manual Valve	1991-On
---	K33896W	1	Manual Valve and AFL Filter End Plug Kit (Sonnax)	1991-On
---	K33889⁸	1	Reverse Boost Bushing and Sleeve	1991-On
---	K33889W⁸	1	Reverse Boost Bushing and Sleeve (w/O'Rings On Sleeve)	1991-On
---	K33889WR⁸	1	Reverse Boost Bushing and Sleeve (Self-Regulating w/Relief Valve)	1991-On
---	K33889LB⁸	1	Line Pressure Booster Kit (Sonnax)	1991-On
⁸ Prevents high line pressure in reverse and uncontrollable line rise. Prevents broken pistons, drums and cases.				
---	33989	1	Line-to-Lube Pressure Reg. Valve (Sonnax, Charges Converter/Prevents Drainback)	1991-On
---	K33887⁹	1	TCC Regulator Valve Kit	1991-On
⁹ Reduces burned fluid, overheated converters, code 68. Improves TCC apply pressure.				

GM 4L80-E & 4L85-E - Cont'd.

ILL. NO.	PART NUMBER	PER CAR	DESCRIPTION	YEARS
SHIFT ENHANCEMENTS AND VALVES - Cont'd.				
---	K33886RK ¹⁰	1	Actuator Feed Limit Valve Repair Kit (TransGo, Includes Reamer and Six Valves)	1991-On
---	K33886 ¹⁰	1	Actuator Feed Limit Valves (TransGo, Six Refills for K33886RK)	1991-On
---	K33886W ¹⁰	1	Actuator Feed Limit Valve Kit (Sonnax, Use w/K51586E Reamer)	1991-On
			¹⁰ Controls fluid pressure to the solenoids valve is usually worn past 100K miles.	
ELECTRONIC COMPONENTS				
119E	33871	1	"A" Shift Solenoid Latest Design	1991-On
120E	33872	1	"B" Shift Solenoid Latest Design	1991-On
---	33871U	2	"A" & "B" Shift Solenoids Universal Type	1991-On
122E	33870	1	PWM Lockup Solenoid	1991-On
123E	33879A	1	Variable Force Motor (EPC) Holley - Black Body - Use w/33883	1991-03
123E	33879M	1	Variable Force Motor (EPC) ... Holley - Silver Body - White Molded Connector	2004-On
---	33883	1	Force Motor Retaining Clip Use w/33879A	1991-03
124E	33877	1	Pressure Switch Manifold	1991-On
125E	33875	1	Input Shaft Speed Sensor	1991-On
126E	33875	1	Output Shaft Speed Sensor Except 94-On 4WD	1991-On
---	33855VC	1	Speed Sensor Harness Repair End	1991-On
127E	K33869A ¹¹	1	Wiring Harness with Temperature Sensor Kit (Updated / Clip-on Style)	1991-03
			¹¹ Includes 33869B Internal Portion and 33859VC External Portion.	
127E	33869B	1	Wiring Harness w/TOT (Internal Portion Only, Clip-on Style - Exc. Jaguar)	L/92-03
127E	33869J	1	Wiring Harness w/TOT (Internal Portion Only, Clip-on Style - Jaguar)	1993-98
127E	33869M	1	Wiring Harness w/TOT (Internal Portion Only)	2004-On
---	33859VC	1	Vehicle Harness Repair End (External Portion Only, Clip-on Style - Exc. Jaguar)	L/92-On
---	33859JVC	1	Vehicle Harness Repair End (External Portion Only, Clip-on Style - Jaguar)	1993-98
---	T2999	1	Case Connector Removal Tool (Use to Remove 33869B)	1991-On
128E	51877GT	1	Park/Neutral (P/N) Position Switch (External, Two Connector - Some Models)	1991-03
128E	51877MT	1	Park/Neutral (P/N) Position Switch (External, Single Connector)	2004-On
---	K51857GVC	1	P/N Switch 7-Way and 4-Way Repair End Kit (Vehicle Harness Side)	1991-03
---	K51656E	1	GM Power Relay System (Fix a Failed Ignition Switch)	1991-On
---	K33660	1	4th Gear Lockout Switch (Superior)	1991-On
---	33655B ¹²	1	Auto Trans Interceptor (ATG) Delays TCC and Increases Line Pressure	L/92-On
			¹² Works on clip-on style case connector and retrofits to 1991 with updated harness.	
---	CSII	1	Compushift Kit (Stand-alone Controller, Wire Loom and Self-Adjusting TPS)	1991-On
---	CSLCD	1	Compushift Remote Display/Calibrator	1991-On
MISCELLANEOUS				
133D	33892	1	Feed Bolt (Center Support)	1991-On
133D	33891	1	Feed Bolt (4th Clutch)	1991-On
133D	33891HD	1	Feed Bolt (4th Clutch) TransGo	1991-On
---	33999	AR	Converter Bolt (External/Internal Hex)	1997-On
134D	33954F	1	Cooler Line Case Fitting (Rear - Center Lube Style)	1997-On
---	33955E	2	Cooler Line Retaining Clip	1996-On
---	K33954W	1	Case Cooler Line Conversion Kit (Allows the Use of a Late Case in an Early Unit)	1991-96
135E	K33794	1	3-4 Accumulator Housing & Plug	1991-93
135E	33794C	1	3-4 Accumulator Housing	1994-On
136E	33783	1	3rd Accumulator Piston	1991-On
137E	K33784	1	4th Accumulator Piston and Pin	1991-On
---	33934	1	3-4 Accumulator Housing Expansion Plug	1991-On
---	45934	1	Parking Pawl Shaft Expansion Plug	1991-On
138E	34771Y	1	1-2 (Rear) Accumulator Spring	1991-On

GM 4L80-E & 4L85-E - Cont'd.

ILL. NO.	PART NUMBER	PER CAR	DESCRIPTION	YEARS
MISCELLANEOUS - Cont'd.				
139E	33732	1	Servo Apply Pin (2.530" Long, Use w/34325 Band)	1991-On
139E	33732E	1	Servo Apply Pin (2.730" Long, Use w/34325HE Band)	1991-On
---	K33828W	1	Front Servo Piston and Sleeve Kit (Sonnax, Saves Worn Cases)	1991-On
140E	33782	1	1-2 Accumulator Piston w/Rubber Seals Updated	1991-On
---	K33808CS	1	Case Saver (2-Piece)	1991-On
142E	33995	1	Separator Plate (TransGo - Universal)	1991-On
---	33701	1	Wiring Harness Internal Bracket (Sonnax, Prevents Connector From Falling in Pan)	1991-On
HARD PARTS				
<p>Note : When ordering Hard Parts, please add the appropriate suffix : (-R) Reman, (-U) Used, (-A) Aftermarket.</p>				
157A	33895F	1	Pump Body and Gears (will Retrofit to 1991)	1997-On
158A	K33965	1	Pump Gear Set	1991-On
159A	K33895	1	Pump Assembly	1991-96
159A	K33895F	1	Pump Assembly	1997-03
159A	K33895M	1	Pump Assembly	2004-On
160A	33851	1	Input Shaft	1991-On
160/4A	K33834HD	1	O/D Planet and Input Shaft (4-Slot Spline 2nd Design w/.310" O.D. O/D Roller)	1991-2/01
160/4A	K33834G	1	O/D Planet and Input Shaft (Late Design w/.195" O.D. O/D Roller)	3/01-On
164A	33834A	1	O/D Planet (4-Slot Splines For Lube, w/.310" O.D. Roller Design)	1993-2/01
164A	33834G	1	O/D Planet (Late Design w/.195" O.D. Roller Design)	3/01-On
161A	K33806G	1	Overrun Drum, O/D Planet and Sprag Kit (Late Design, fits all units.)	1991-On
161A	33806	1	Overrun Clutch Housing	1991-2/01
161A	33806G	1	Overrun Clutch Housing	3/01-On
162A	33766	1	Overrun Clutch Spring Retainer	1991-2/01
162A	33766G	1	Overrun Clutch Spring Retainer	3/01-On
163A	33256	1	Overrun Clutch Spring Retainer Snap Ring	1991-2/01
163A	33256G	1	Overrun Clutch Spring Retainer Snap Ring	3/01-On
167B	K33804G	1	2-4 Housing (Complete)	1999-On
169B	33801F	1	Foward Drum (Bonded Type, will retrofit to 1991)	1997-On
175C	33803	1	Direct Clutch Drum (Sprag Style)	1991-On
176C	K33818	1	Intermediate Sprag Race Kit (Includes 34 Element Sprag and Plate)	1991-On
180C	33808	1	Center Support (No Lube Hole)	1991-96
180C	33808F	1	Center Support (w/Lube Hole, No Shim Type)	1997-98
180C	33808FB	1	Center Support (w/Lube Hole, Shim Type, will retro to '97 if 33403G Shim is used) ..	1999-On
181C	34250	1	Center Support Spacer	1991-On
183C	33838	1	Sun Gear Shaft	1991-96
183C	33838F	1	Sun Gear Shaft (Units w/o 33403G Spacer)	1997-98
183C	33838FB	1	Sun Gear Shaft (Units with 33403G Spacer)	1999-On
184C	33865	1	Rear Sun Gear (Helical Cut Gear)	1991-96
184C	33865F	1	Rear Sun Gear (Helical Cut Gear - With 4 Slots for Lube)	1997-On
185C	33833	1	Reaction (Front) Planetary (4-Pinion Helical Cut - Can Use 34833B)	1991-On
185C	33833H	1	Reaction (Front) Planetary (5-Pinion Helical Cut - will Retrofit)	2002-On
186D	34834	1	Front Internal Ring Gear Silencer Plastic	1991-On
187D	33993	1	Reluctor Wheel (Speed Sensor Exciter)	1991-On
188D	33831	1	Output (Rear) Planetary (4-Pinion Helical Cut w/Reluctor Wheel)	1991-On
188D	33831H	1	Output (Rear) Planetary (5-Pinion Helical Cut, 2WD - will Retrofit)	2002-On
188D	33831J	1	Output (Rear) Planetary (5-Pinion Helical Cut, 4WD - will Retrofit)	2002-On
191D	33864	1	Rear Ring and Shaft (Helical Cut w/Hollow Shaft for Lube Oil)	1991-96
191D	33864F	1	Rear Ring and Shaft (Helical Cut w/Solid Shaft)	1997-On
194E	K33884	1	Oil Pan (Aftermarket Deep Type)	1991-96
194E	K33884F	1	Oil Pan (Aftermarket Deep Type)	1997-On
195E	20-123	1	Valve Body (Reman)	1992-96
195E	20-124	1	Valve Body (Reman)	1997-03
195E	20-124A	1	Valve Body (Reman) w/Late EPC Solenoid	2004-On

4L80E / 4L85E