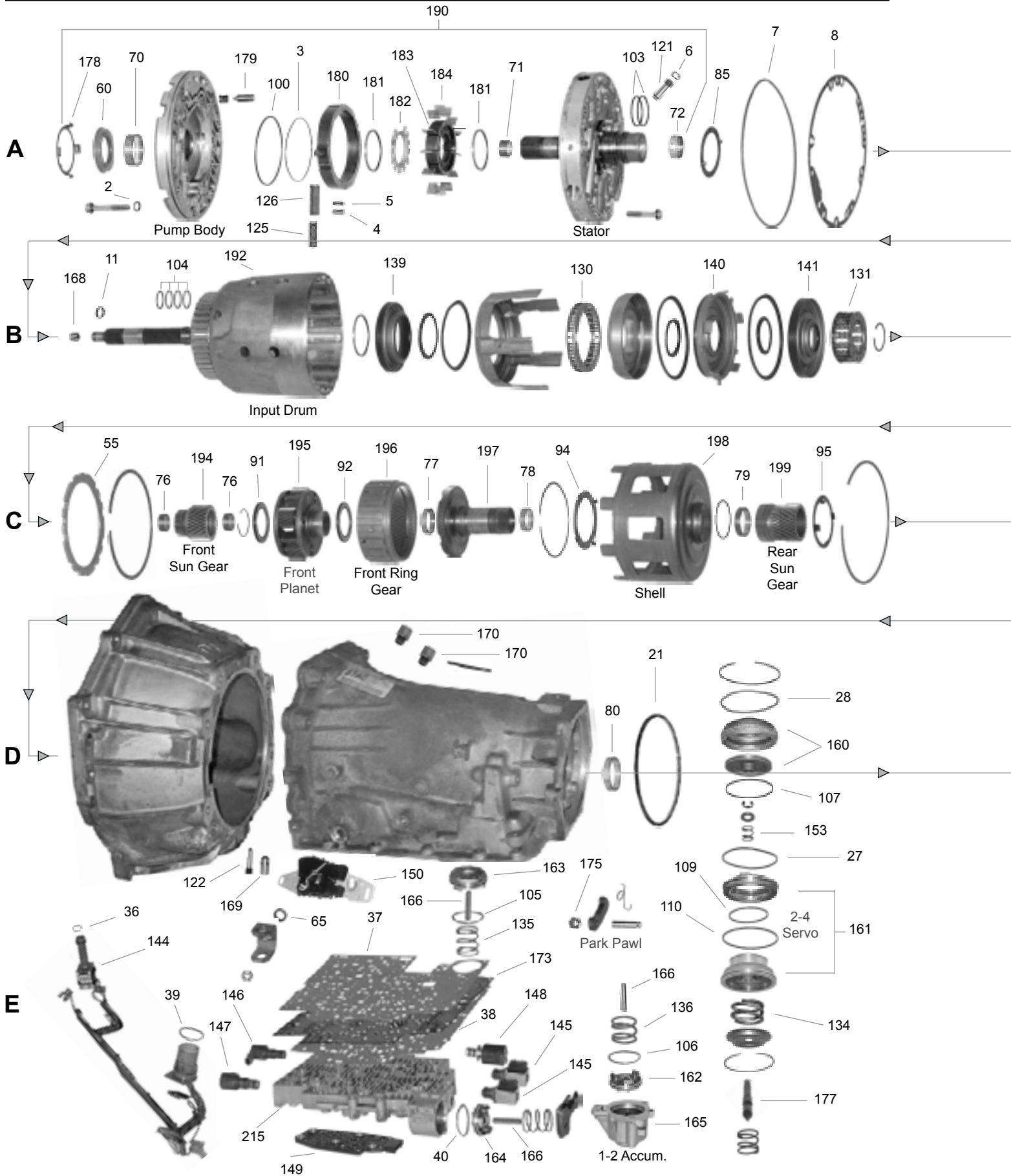
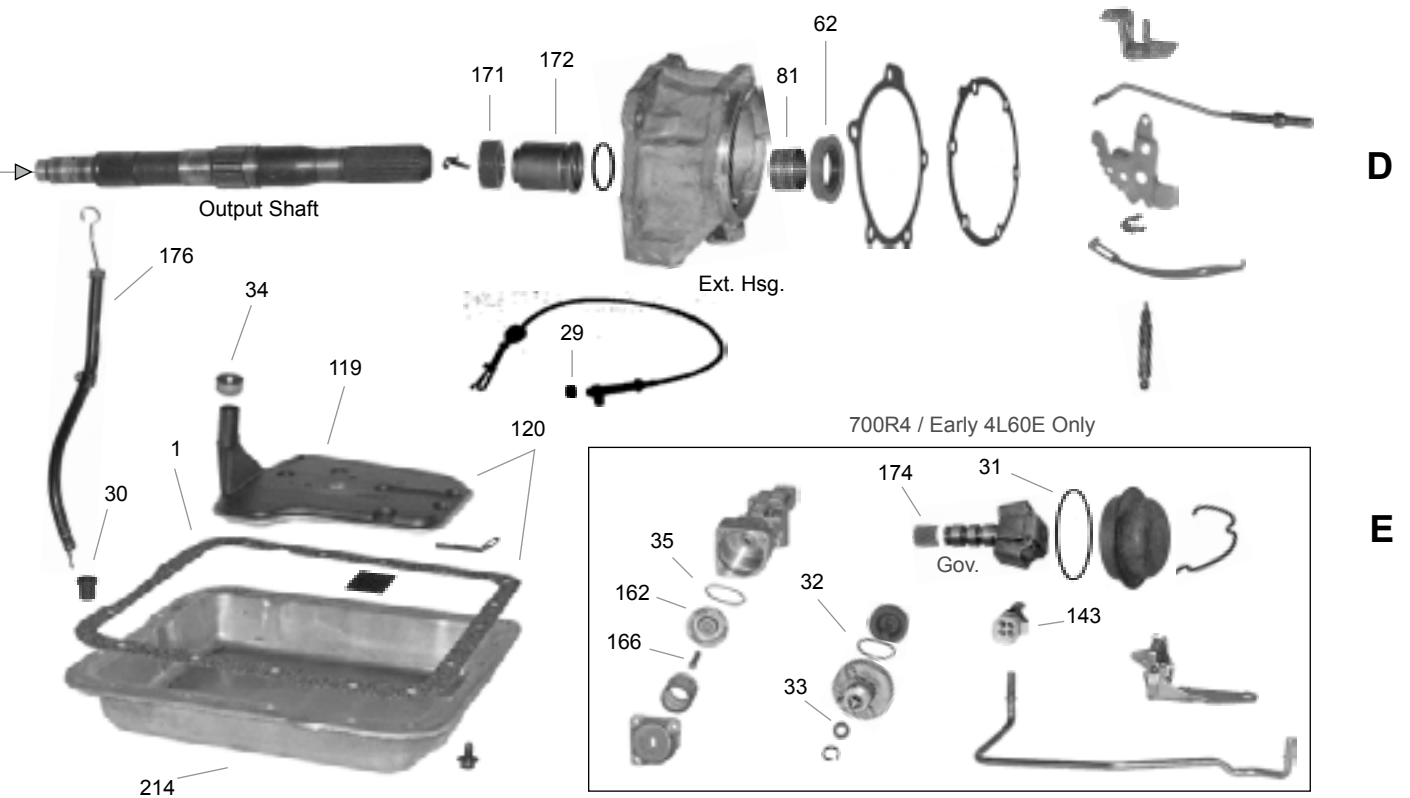
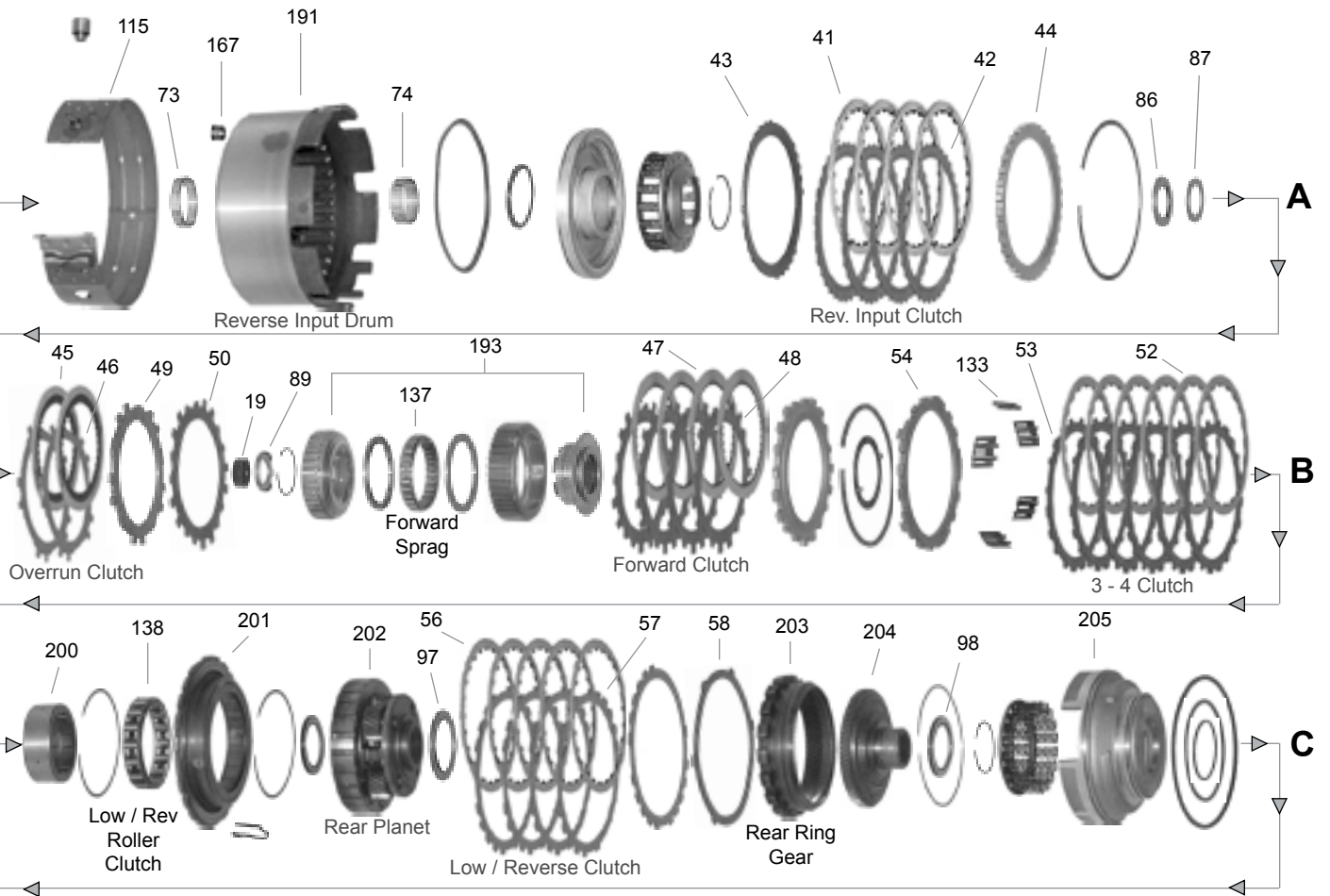


TH700-R4 / 4L60E / 4L65E / 4L70E

RWD 4 Speed





TH700-R4, 4L60, 4L60-E, 4L65-E, 4L70-E

ILL. NO.	PART NUMBER	700-R4 4L60	4L60-E 4L65-E	DESCRIPTION	YEARS
---	TM700-R4	1		Technical Manual.....	1982-86
---	TM700-R4B	1		Technical Manual.....	1987-93
---	TM700-R4S	1		Technical Manual (Supplement)	1982-93
---	TM4L60E		1	Technical Manual.....	1993-On
---	TM4L60ES		1	Technical Manual (Supplement)	1993-On

REBUILDER BOX KITS

---	MRK5100-S	1		Master Rebuilder Kit (w/o Steels)	1982-84
---	MRK5100T-S ¹	1		Master Rebuilder Kit (w/o Steels)	1982-84
---	MRK5100A-S	1		Master Rebuilder Kit (w/o Steels)	1985-86
---	MRK5100AT-S ¹	1		Master Rebuilder Kit (w/o Steels)	1985-86
---	MRK5100B-S	1		Master Rebuilder Kit (w/o Steels)	1987-93
---	MRK5100BT-S ¹	1		Master Rebuilder Kit (w/o Steels)	1987-93
---	MRK5100E-S ^{3,4}	1		Master Rebuilder Kit (w/o Steels) 4L60-E	1993-96
---	MRK5100ET-S ^{1,3}	1		Master Rebuilder Kit (w/o Steels) 4L60-E	1993-96
---	MRK5100J-S ^{2,3,4}	1		Master Rebuilder Kit (w/o Steels) 4L60-E	1997-03
---	MRK5100JT-S ^{1,2,3,4}	1		Master Rebuilder Kit (w/o Steels) 4L60-E	1997-03
---	MRK5100M-S ^{2,3,4,5}	1		Master Rebuilder Kit (w/o Steels) 4L60-E	2004-On
---	MRK5100MT-S ^{1,2,3,4,5}	1		Master Rebuilder Kit (w/o Steels) 4L60-E	2004-On
---	MRK5100L-S ^{2,3,4}	1		Master Rebuilder Kit (w/o Steels) 4L65-E	2001-03
---	MRK5100N-S ^{2,3,4,5}	1		Master Rebuilder Kit (w/o Steels) 4L65/70-E	2004-On
---	K5100-S	1		Master Kit (w/o Steels)	1982-84
---	K5100A-S	1		Master Kit (w/o Steels)	1985-86
---	K5100B-S	1		Master Kit (w/o Steels)	1987-93
---	K5100E-S ³	1		Master Kit (w/o Steels) 4L60-E	1993-96
---	K5100J-S ^{3,4}	1		Master Kit (w/o Steels) 4L60-E	1997-03
---	K5100M-S ^{3,4,5}	1		Master Kit (w/o Steels) 4L60-E	2004-On
---	K5100L-S ^{3,4}	1		Master Kit (w/o Steels) 4L65-E	2001-03
---	K5100N-S ^{3,4,5}	1		Master Kit (w/o Steels) 4L65/70-E	2004-On

Steel Plate Sub-Kits:

---	K5100-9	1		Steel Plate Kit.....	1982-84
---	K5100A-9	1		Steel Plate Kit.....	1985-86
---	K5100B-9	1		Steel Plate Kit.....	1987-93
---	K5100E-9	1		Steel Plate Kit..... 4L60-E	1993-96
---	K5100J-9	1		Steel Plate Kit..... 4L60-E w/Turbulator Steels	1997-On
---	K5100L-9	1		Steel Plate Kit..... 4L65/70-E w/Turbulator Steels	2001-On

¹ Kit Includes "High Energy" Band, Teflon Bushings, Thin 3-4 "High Energy" Frictions, Steels and Pressure Plate.

² Kit Includes **51600JT** Filter for Deep Pan Units only, please see **Filter Section** for other options.

³ **1993-96** Units utilize a Molded Rubber 3-4 Piston, please order **51843E** separately,

1997-On Units utilize three Molded Rubber Pistons, please order **K51900J-4** separately.

⁴ **1997-On** Corvettes require a unique Extension Housing Seal, please order **51551JC** separately.

⁵ **Some 2006-On** Units utilize Bonded Valve Body Plates, the Kits include Replacement Valve Body Gaskets and Screens. If a New Separator Plate is needed, please see page 1.25-11 for application information.

OVERHAUL, GASKET AND SEAL KITS

---	K51900C	1		Overhaul Kit.....	1982-93
---	K51900E ³	1		Overhaul Kit..... 4L60-E	1993-96
---	K51900J ^{3,4}	1		Overhaul Kit..... 4L60/65-E	1997-03
---	K51900M ^{3,4,5}	1		Overhaul Kit..... 4L60/65/70-E	2004-On
---	K51900C-1	1		Gasket and Rubber Kit Duraprene	1982-93
---	K51900E-1 ³	1		Gasket and Rubber Kit 4L60-E	1993-96
---	K51900J-1 ³	1		Gasket and Rubber Kit 4L60/5-E	1997-03
---	K51900M-1 ³	1		Gasket and Rubber Kit 4L60/65/70-E	2004-On

TH700-R4, 4L60, 4L60-E, 4L65-E, 4L70-E

ILL. NO.	PART NUMBER	700-R4 4L60	4L60-E 4L65-E	DESCRIPTION	YEARS
OVERHAUL, GASKET AND SEAL KITS - Cont'd.					
---	K45900R-2	1	1	Pump Slide Seal Kit.....	1982-On
---	K51900-5	1	1	Servo D'Ring Kit (Transtec).....	1982-On
---	K51900C-7	1	1	Front Pump Seal-Up Kit.....	1982-E/04
---	K51900M-7	1	1	Front Pump Seal-Up Kit.....	2004-On
---	K51900C-8⁴	1	1	Complete External Seal-Up Kit.....	1982-E/04
---	K51900M-8⁴	1	1	Complete External Seal-Up Kit.....	2004-On
---	K51900C-3	1		Valve Body Gasket Set..... Includes Early and Late Gaskets	1982-93
---	K51900L-3		1	Valve Body Gasket Set Includes Early and Late Gaskets (Except Bonded)	1993-08
---	K51900P-3		1	Valve Body Gasket Set..... Bonded Type Replacements	2006-On
GASKET AND RUBBER COMPONENTS					
1E	51170	1	1	Pan Gasket..... Duraprene	1982-On
2A	3601SL	7		Front Pump Bolt Washer Seal	1982-85
2A	51121	7	7	Front Pump Bolt O'Ring.....	1986-On
3A	45102R	1	1	Pump Slide Seal Back-Up O'Ring	1982-On
4A	46821	1	1	Pump Slide Seal..... Teflon	1982-On
5A	46824	1	1	Pump Slide Seal Support	1982-On
6A	3580L	1	1	Front Pump Cover Screen O'Ring.....	1982-On
7A	51100	1	1	Front Pump to Case Lathe Cut Seal.....	1982-04
7A	51100M		1	Front Pump Full Circle Compression/Wedge Seal	L/04-On
8A	51101	1		Front Pump to Case Gasket..... w/o Baffle	1982-83
8A	51101A	1	1	Front Pump to Case Gasket..... w/Baffle	1984-On
11B	45145	1	1	Turbine Shaft O'Ring..... .489" I.D.	1982-On
11B	46130	1	1	Turbine Shaft O'Ring (Green)	1982-On
11B	51131K		1	Turbine Shaft O'Ring (Orange)	1998-On
19B	51108	1		Input Housing to Output Shaft Seal - Plastic	1982-91
19B	51108E	1	1	Input Housing to Output Shaft Seal - Rubber	1992-On
21D	3896L	1	1	Extension Housing to Case Seal	1982-On
21D	51110L		1	Extension Housing to Case Seal (Removable Bellhousing)	1996-On
27D	51130	1	1	2nd Apply Piston Cover O'Ring (Red)	1982-On
28D	51130A	1	1	2-4 Servo Cover O'Ring (Blue)	1982-On
29E	45141	1		Detent Cable Seal..... Lip Type	1982-93
30E	44141	1	1	Oil Filler Tube Seal..... Lip Type	1982-On
31E	13269	1		Governor Cover Seal.....	1982-93
32E	51133	1		Speedometer Housing O'Ring..... 2 1/8" I.D.	1982-93
32E	51133		1	Vehicle Speed Sensor O'Ring (Large) 2 1/8" I.D.	1993-On
32E	33124		1	Vehicle Speed Sensor O'Ring (Small)	1996-On
33E	3991L	1		Speedometer Driven Gear Lip Seal..... w/o Spring	1982-93
33E	3991LX	1		Speedometer Driven Gear Lip Seal..... w/Spring	1982-93
34E	45120R	1		Oil Filter Seal..... Multi-Lip Type	1982-93
34E	51120E		1	Oil Filter Seal.....	1993-On
35E	45180L	1		Auxiliary V.B. Accumulator Piston Lathe Cut Seal.....	1982-93
36E	46131	1	1	Solenoid O'Ring.....	1982-On
37E	51105	1		Valve Body Gasket..... Upper	1982-86
37E	51105B	1		Valve Body Gasket..... Upper	1987-93
37E	51105EA		1	Valve Body Gasket..... Upper, Combo	1993-00
37E	51105L		1	Valve Body Gasket..... Upper, White Stripe (Except Bonded Type)	2001-08
37E	51105P		1	Valve Body Gasket Upper, Orange Stripe (Bonded Type Replacements)	2006-On
38E	51106	1		Valve Body Gasket..... Lower	1982-86
38E	51106B	1		Valve Body Gasket..... Lower	1987-93
38E	51106EA		1	Valve Body Gasket..... Lower, Combo	1993-00
38E	51106L		1	Valve Body Gasket..... Lower, White Strip (Except Bonded Type)	2001-08
38E	51106P		1	Valve Body Gasket Lower, Orange Strip (Bonded Type Replacements)	2006-On
39E	3410L	1		Electrical Connector O'Ring	1982-93
39E	51126		1	Electrical Connector O'Ring	1993-On
40E	51180		1	Forward Accumulator Lathe Cut Seal.....	1993-On

TH700-R4 / 4L60-E

TH700-R4, 4L60, 4L60-E, 4L65-E, 4L70E - Cont'd.

ILL. NO.	PART NUMBER	700-R4 4L60	4L60-E 4L65-E	DESCRIPTION	YEARS
CLUTCH PLATES					
41A	51321	3-4		Rev. Input Friction (Before 2/9/87)080"	1982-87
41A	51321B	3-4	4	Rev. Input Friction (From 2/9/87)071"	1987-On
42A	51322	2-3	4	Rev. Input Steel076"	1982-96
42A	51322J ⁵		4	Rev. Input Steel (Turbulator Slots)076"	1997-On
43A	51322B	1		Rev. Input Steel - Waved (Before 2/9/87)079"	1982-87
43A	51322D	1	1	Rev. Input Steel - Dished (From 2/9/87)088"	1987-On
43A	51322E		1	Rev. Input Steel - Dished051"	1994-On
44A	51325A	AR	AR	Rev. Input Backing Plate # 5 (From 2/9/87)292"	1987-On
44A	51325B	AR	AR	Rev. Input Backing Plate # 6 (From 2/9/87)263"	1987-On
45B	51310	2	2	Overrun Friction078"	1982-On
46B	51311	2	2	Overrun Steel092"	1982-On
47B	51308	4-5		Forward Friction080"	1982-84
47B	51308J	4-5	4-5	Forward Friction (Tan, Replaces 51308A & K)070"	1985-On
48B	51309	3-4		Forward Steel077"	1982-84
48B	51309A	3-5	3-5	Forward Steel090"	1985-On
49B	51313A	AR		Forward Apply Plate (Use w/Alum. Spacer)077"	1982-85
49B	51313	AR		Forward Apply Plate254"	1982-86
49B	51313C	AR	AR	Forward Apply Plate170"	1987-On
50B	51309B	1	1	Forward Steel - Waved070"	1982-E/95
50B	51309E		AR	Forward Steel - Waved052"	1994-On
50B	51309F		AR	Forward Steel - Waved044"	1994-On
50B	51309J		1	Forward Steel - Waved (Two Square Tabs on OD, .070") L/95-On	
52B	51304	5-6		3-4 Friction079"	1982-93
52B	51304T	AR		<i>Thin</i> 3-4 Friction062"	1982-93
52B	51304J		5-6	3-4 Friction (High Energy)079"	1993-On
52B	51304L	AR	AR	<i>Thin</i> 3-4 Friction (High Energy)062"	1993-On
52B	51304L		7	3-4 Friction (High Energy, 4L65/70-E)062"	2001-On
---	K51353	1		<i>Thin</i> 3-4 Friction & Steel Kit w/Pressure Plate062"	1982-93
---	K51353J	1	1	<i>Thin</i> 3-4 Friction (High Energy) & Steel Kit w/Pressure Plate062"	1982-On
---	K51353Z	1	1	Z-Pak Single-Sided 3-4 Friction & Steel Kit w/Pressure Plate (Raybestos)062"	1982-On
53B	51305A	4-5		3-4 Steel077"	1982-93
53B	51305T	AR	AR	<i>Thin</i> 3-4 Steel060"	1982-On
53B	51305E		5	3-4 Steel106"	1993-96
53B	51305J		5	3-4 Steel (Special Surface)106"	1997-On
53B	51305L		6	3-4 Steel 4L65-E, .097"	2001-On
53B	51305LHP	AR	AR	3-4 Steel (Special Surface) 4L65-E, .097"	2001-On
54B	51315	1		3-4 Apply Plate (Before 2/9/87) Flat - .127"	1982-87
54B	51315A	1		3-4 Apply Plate (From 2/9/87) Stepped	1987-93
54B	51315E		1	3-4 Apply Plate Flat .220" w/5 Tangs	1993-On
55C	51316A	AR		3-4 Backing Plate202"	1982-87
55C	51316B	AR		3-4 Backing Plate241"	1982-87
55C	51316E	AR	AR	3-4 Backing Plate # 6 or "A"222"	1987-On
55C	51316F	AR	AR	3-4 Backing Plate # 7 or "B"190"	1987-On
56C	44321	5	5	Low & Reverse Friction087"	1982-On
56C	44321A	AR	AR	Low & Reverse Friction097"	1982-On
57C	44505	4-5	4-5	Low & Reverse Steel071"	1982-96
57C	44505C	AR	AR	Low & Reverse Steel # 4098"	1987-96
57C	44505D	AR	AR	Low & Reverse Steel # 5126"	1987-96
57C	44505J ⁵		5	Low & Reverse Steel (Turbulator Slots)071"	1997-On
57C	44505JA ⁵		AR	Low & Reverse Steel (Turbulator Slots)051"	1997-On
57C	44505JB ⁵		AR	Low & Reverse Steel (Turbulator Slots)089"	1997-On
58C	44505B	1	1	Low & Reverse Steel - Waved095"	1987-On

⁵ Turbulator Steels are designed to improve clutch pack cooling and retrofit all units

TH700-R4, 4L60, 4L60-E, 4L65-E, 4L70-E - Cont'd.

TH700-R4 / 4L60-E

ILL. NO.	PART NUMBER	700-R4 4L60-E		DESCRIPTION	YEARS
		4L60	4L65-E		
METAL CLAD SEALS					
60A	51526	1	1	Front Pump.....	1982-On
62D	45551	1	1	Extension Housing (w/Flange) . Except 1997-On Corvette	1982-On
62D	51551JC		1	Extension Housing..... Corvette	1997-On
---	201048		1	Adapter Seal (4WD) Hummer H2	2006-On
---	51553M		1	Adapter Seal (4WD) Colorado, Canyon, Hummer H3	2004-On
65E	44507	1	1	Manual Lever	1982-On
33E	3991LX	1		Speedometer Pinion (Rubber w/Spring)	1982-93
BUSHINGS					
---	K51980	1	1	Bushing Kit (* Not Included)	1982-On
---	K51980T	1	1	Bushing Kit (+ Included) Teflon	1982-On
70A	51005A*	1	1	Pump Body Bronze	1982-On
70A	51005B	1	1	Pump Body Babbitt	1982-On
70A	51005T+	1	1	Pump Body Teflon	1982-On
71A	45001	1		Stator Support (Front) 900" O.D.	1982-84
71A	44001	1	1	Stator Support (Front) 1.000" O.D.	1984-On
72A	51000	1		Stator Support (Rear - .430" Tall) Chamfered	1982-93
72A	51000E		1	Stator Support (Rear - .466" Tall)	1993-On
72A	51000WT	1	1	Stator Support (Rear - Sonnax) Wider Teflon Coated	1982-On
73A	51001	1	1	Reverse Input Drum Front	1982-On
74A	45004	1	1	Reverse Input Drum Rear	1982-On
76C	51004	2	2	Input Sun Gear	1982-On
77C	51006	1	1	Reaction Carrier Shaft Front	1982-On
78C	51007	1	1	Reaction Carrier Shaft Rear	1982-On
79C	51009	1	1	Reaction Sun Gear	1982-On
79C	51009W*	1	1	Reaction Sun Gear (Wide, Sonnax)	1982-On
80D	44007*	1	1	Case Babbitt	1982-On
80D	44007A	1	1	Case Bronze	1982-On
80D	44007W*	1	1	Case (Oversized - Machining Required) ... Bronze	1982-On
81D	8008*	1	1	Extension Housing..... Babbitt	1982-On
81D	45008	1	1	Extension Housing..... Bronze	1982-On
81D	45008T+	1	1	Extension Housing (except Corvette) Teflon	1982-On
THRUST WASHERS AND BEARINGS					
---	K51940	1	1	Thrust Washer Kit (w>Selectives) All	1982-On
---	K51941	1	1	Thrust Needle Bearing Kit Except w/Bearing Style Sun Shell	1982-On
---	K51941L		1	Thrust Needle Bearing Kit w/Bearing Style Sun Shell	2001-On
85A	51400	1	1	Front Pump Washer.....	1982-On
86A	51420	1	1	Stator to Input Housing Needle Bearing	1982-On
87A	K51440	1	1	Input Housing to Stator Bearing Shim Kit (Sonnax)	1982-On
87A	51401C	AR	AR	Input Housing Washer- # 70 2.38 - 2.48mm	1982-On
87A	51401D	AR	AR	Input Housing Washer- # 71 2.55 - 2.65mm	1982-On
87A	51401E	AR	AR	Input Housing Washer- # 72 2.72 - 2.82mm	1982-On
89B	51421	1	1	Input Sun Gear Needle Bearing	1982-On
91C	51402	1		Input Carrier to Race Washer	1982-86
92C	51422	1	1	Input Carrier to Reaction Shaft Needle Bearing (.142")	1982-04
92C	51422P		1	Input Carrier to Reaction Shaft Needle Brg (.170" w/Aligning Lip, Not in Kit)	2005-On
94C	51403	1	1	Reaction Shaft to Shell Washer (Front) 4 Tabs - Metal	1982-01
94C	51424L		1	Reaction Shaft to Shell Bearing. (w/Bearing Style Sun Shell)	2001-On
95C	44215	1	1	Race to Reaction Shell Washer (Rear)..... Metal	1982-On
95C	51404	1	1	Race to Reaction Shell Washer (Rear)..... Plastic	1982-On
95C	51404B	1	1	Race to Reaction Shell Washer (Rear) (Plastic, Fits "Beast" Shell, Not in Kit)	1982-On
97C	51423	1	1	Reaction Carrier to Support Needle Bearing	1982-On
98C	51422	1	1	Case Needle Bearing	1982-On

TH700-R4, 4L60, 4L60-E, 4L65-E, 4L70E - Cont'd.

ILL. NO.	PART NUMBER	700-R4 4L60	4L60-E 4L65-E	DESCRIPTION	YEARS
SEALING RINGS					
---	K51901C	1		Sealing Ring Kit Teflon	1982-93
---	K51901E		1	Sealing Ring Kit Teflon	1993-On
---	K51900-5	1	1	Servo D'Ring Kit (Transtec) Rubber	1982-On
100A	45821R	1	1	Front Pump Slide Metal	1982-On
103A	45200T	2		Front Pump Cover (Scarf-Cut) Teflon	1982-93
103A	51200ET		2	Front Pump Cover (Solid) Teflon	1993-On
104B	51201	4	4	Turbine Shaft Metal	1982-On
104B	51201ST	4	4	Turbine Shaft (Solid) Teflon	1982-On
104B	51201SJ	4	4	Turbine Shaft (Step Joint) Teflon	1982-On
105E	45209RT	1		3-4 Accumulator - 1st Design Teflon	1982-86
105E	45180L	1	1	3-4 Accumulator - 2nd Design Lathe Cut Seal	1987-On
106E	45209RT	1		1-2 Accumulator - 1st Design Teflon	1982-86
106E	45180L	1	1	1-2 Accumulator - 2nd Design Lathe Cut Seal	1987-On
107D	51203T	1	1	4th Apply Piston (Outer) Teflon	1982-On
109E	51204T	1	1	2nd Apply Piston (Inner - 1.6425" I.D.) Teflon	1982-On
109E	51204AT	1	1	2nd Apply Piston (Inner - 2.1625" I.D.) Teflon	1982-On
109E	51204BT	1	1	2nd Apply Piston (Inner - 2.6395" I.D.) Teflon	1982-On
110E	51205T	1	1	2nd Apply Piston (Outer) Teflon	1982-On
---	45204F	2		2nd Apply Piston Pin Teflon	1982-86
BANDS					
115A	51714	1		2nd & 4th Clutch 2.250" Wide	1982-93
115A	51714E⁶		1	2nd & 4th Clutch 2.250" Wide- High Energy	1993-On
115A	51714EHP⁶		1	2nd & 4th Clutch 2.650" Wide - Pro-Series High Performance 1993-On	
⁶ This can also be used on TH700-R4.					
TRANSMISSION OIL FILTERS					
119E	51600	1		Oil Filter 1982-93	
119E	51600J		1	Oil Filter All with Shallow Pan	1993-On
119E	51600JC		1	Oil Filter Corvette	1997-On
119E	51600JT		1	Oil Filter All with Deep Pan, Except Below	1997-On
119E	51601M		1	Oil Filter (Colorado, Canyon, H3 & Isuzu) Stepped - 4WD Only	2004-On
119E	51600M		1	Oil Filter Hybrid Only	2004-08
119E	51605M		1	Oil Filter (Auxiliary Pump Filter) Hybrid Only	2004-08
120E	ATK-93	1		Oil Filter Kit 1982-93	
120E	ATK-188		1	Oil Filter Kit All with Shallow Pan	1993-On
120E	ATK-189		1	Oil Filter Kit Corvette	1997-On
120E	ATK-190		1	Oil Filter Kit All with Deep Pan, Except Below	1997-On
120E	ATK-260		1	Oil Filter Kit (Colorado, Canyon, H3 & Isuzu) Stepped - 4WD Only	2004-On
119E	ATK-284		1	Oil Filter Kit Hybrid Only	2004-08
121A	51605*	1	1	Pump Cover Screen In Pump	1982-On
122E	44601*	1	1	Converter Oil Pressure Screen In Front Part of Case	1982-On
122E	51601K*	1	1	Converter Solenoid Screen In Solenoid	1982-On
---	44601*	1		Governor Oil Pressure Screen In Rear Part of Case	1982-93
---	51611*		1	Force Motor Valve Fluid Filter... Large - In Separator Plate	1993-On
---	51612*		1	Shift Solenoid Fluid Valve Filter.. Small - In Separator Plate	1993-On
* Please See Page 1.33-10 for Visual Identification.					
SPRINGS					
125A	51778Y	1	1	Pump Slide (Inner) Yellow or Orange	1982-04
126A	51778B	1	1	Pump Slide (Outer) Blue or Plain	1982-04
125/6A	51778M		1	Pump Slide Conical	2004-On
---	51768	1	1	Pressure Regulator.....	1982-On
---	51768HD	1	1	Pressure Regulator Elevated Pressure	1982-On
---	51762HD	1	1	T.V. Valve Spring (5-Pieces) High Performance	1982-On

TH700-R4, 4L60, 4L60-E, 4L65-E, 4L70-E - Cont'd.

TH700-R4 / 4L60-E

ILL. NO.	PART NUMBER	700-R4 4L60	4L60-E 4L65-E	DESCRIPTION	YEARS
SPRINGS - Cont'd.					
130B	K51764HD	1	1	3-4 Clutch Return Spring Kit..... TransGo	1982-On
133B	51764	5	5	3-4 Load Release Springs Inside Input Drum	1982-On
133B	K51764W	1	1	3-4 Load Release Springs (10 Pcs.) .. Inside Input Drum	1982-On
131B	51763	1	1	Overrun Clutch Spring w/Retainer	1982-96
131B	51763J		1	Overrun Clutch Spring w/Retainer (Use w/Bonded Piston)	1997-On
134E	51752P	1	1	2nd Apply Servo Cushion Pink	1982-On
---	K51949	1	1	Servo Apply Spring Correction Kit Superior	1982-On
135E	51773R	1	1	3-4 Accumulator (Soft) Red	1982-On
135E	51771W	1	1	3-4 Accumulator (Firm) White	1985-On
136E	51773R	1		1-2 Accumulator (Softest) Red	1982-93
136E	51771P	1	1	1-2 Accumulator (Firm) Purple	1985-On
136E	51771W	1	1	1-2 Accumulator (Firmest) White	1985-On
136E	51771HD	1	1	1-2 Accumulator (Extra Firm) Sonnax	1982-On
136E	51771G	1		1-2 Accumulator (Soft) Green	1986-93
136E	51771K		1	1-2 Accumulator Oval Wire	5/98-On
---	51771PK		1	1-2 Accumulator (Inner) Pink	1994-On
SPRAGS AND ROLLER CLUTCHES					
137B	51814	1		Forward Sprag 26 Elements	1982-86
137B	51814A	1	1	Forward Sprag Borg 29-Element, Dual Cage	1987-On
137B	51814B	1	1	Forward Sprag SKF 29-Element, Single Cage, Use w/Press-fit Sun Gear	1/95-On
138C	44815	1		Low & Reverse Roller Clutch..... Before 6/16/86 - Narrow	1982-86
138C	51815	1	1	Low & Reverse Roller Clutch From 6/16/86 - Wide	1986-On
PISTONS					
---	K51900J-4⁷		1	Molded Rubber Piston Kit.....	1997-On
139B	51843E		1	3-4 Clutch Piston (Molded Rubber)	1993-On
140B	51841J		1	Forward Clutch Piston (Molded Rubber)	1997-On
141B	51846J		1	Overrun Clutch Piston (Molded Rubber- Use w/51763J Spring to Retrofit)	1997-On
141B	K51846HD	1	1	Input Drum Reinforcement Sleeve/Piston Kit (Sonnax, Hipo Applications)	1982-On
ELECTRONIC COMPONENTS					
---	51876	1		TCC Signal Switch (Normally Open) ... 1-Prong, Silver	1982-93
---	46875	1		4th Clutch Switch (Normally Closed)..... 1-Prong	1982-93
---	51876	1		4th Clutch Switch (Normally Open) 1-Prong, Silver	1983-93
---	45876R	1		4th Clutch Switch (Normally Open) 2-Prong, Silver	1982-86
---	51875	1		4-3 Pulse Switch (Normally Closed)..... 2-Prong, Black	1982-93
---	45876R	1		3rd Clutch Switch (Normally Open)..... 2-Prong, Silver	1982-93
---	51878T	1		Transmission Oil Temperature Sensor	1982-93
143E	44878	1		Electrical Connector 2-Prong	1982-93
143E	45878	1		Electrical Connector 3-Prong	1982-93
143E	51878	1		Electrical Connector 4-Prong	1982-93
143E	51859VC	1		Case Connector Repair End (Vehicle Harness Side)	1982-93
---	51859EVC		1	Case Connector Repair End (Vehicle Harness Side)	1993-On
144E	51870U	1	1	TCC Solenoid (Universal Type - Rostra)	1982-On
144E	51870T	1	1	TCC Solenoid (Universal Type - Teckpak)	1982-On
144E	51870	1		TCC Solenoid (Stamped "4121")..... White	1982-86
144E	51870B	1		TCC Solenoid (Stamped "4123")..... Black	1982-87
144E	51870C	1		TCC Solenoid (Stamped "4124")..... Red	1982-90
144E	51870F	1		TCC Solenoid (Stamped "4126")..... Dark Green	1984-90
144E	51870G	1		TCC Solenoid (Stamped "4127")..... Gray	1983
144E	51870H	1		TCC Solenoid (Stamped "4129")..... Orange	1983-93
144E	51870J	1		TCC Solenoid (Stamped "4130")..... Brown	1984-88

TH700-R4, 4L60, 4L60-E, 4L65-E, 4L70E - Cont'd.

ILL. NO.	PART NUMBER	700-R4 4L60	4L60-E 4L65-E	DESCRIPTION	YEARS
ELECTRONIC COMPONENTS - Cont'd.					
144E	51870K	1		TCC Solenoid (Stamped "4415") Dark Blue	1987-88
144E	51870L	1		TCC Solenoid (Type 18 - "8100")	1989-93
144E	51870M	1		TCC Solenoid (Type 19 - "8101")	1989-93
144E	K51870EC		1	TCC Solenoid w/Internal Wiring Harness and Pressure Switch Manifold	1993-02
144E	51870EC	1		TCC Solenoid w/Internal Wiring Harness	1993-02
144E	51869L	1		TCC Solenoid w/Internal Wiring Harness (Exc Hybrid Vehicles, No ISS)	2003-06
144E	51869M	1		TCC Solenoid w/Internal Wiring Harness (Hybrid, w/Fluid Pump)	2004-08
144E	51869P	1		TCC Solenoid w/Internal Wiring Harness (Units w/Input Speed Sensor)	L/05-08
144E	51869T	1		TCC Solenoid w/Internal Wiring Harness (Units w/Internal Mode Switch)	2009-On
145E	51871		2	"A" & "B" Shift Solenoids.....	1993-On
146E	41870A	1		3-2 PWM Solenoid (Upgraded) 10-15 Ohms	1993-95
146E	51873A	1		3-2 On-Off Solenoid.....	20-30 Ohms 1996-08
147E	41870A	1		TCC (PWM) Solenoid (Upgraded) 10-15 Ohms	1995-On
148E	51879	1		Force Motor (EPC) Solenoid Operates at 292.5 Hz.	1993
148E	33879A	1		Force Motor (EPC) Solenoid Operates at 614 Hz, Black Housing.	1994-02
148E	51879L	1		Force Motor (EPC) Solenoid..... Silver-Crimped Housing	2003-On
---	51875P		1	Input Speed Sensor (ISS - Internal on Pump Body)	L/05-On
---	51876E	1	1	Output Shaft Speed Sensor (Large)	1987-95
---	51876E		1	Output Shaft Speed Sensor (Large) Corvette	1996
---	51876F		1	Output Shaft Speed Sensor (Small w/Bracket) Except Above	1996-On
---	51876M		1	Output Shaft Speed Sensor (Screw-in)	2004-On
---	51855VC	1	1	Speed Sensor Repair End (Vehicle Harness Side)	1987-96
---	33855VC	1	1	Speed Sensor Repair End (Vehicle Harness Side, Use w/51876F)	1996-On
149E	51877	1		Pressure Switch Manifold w/TOT Black Connector	1993-08
149E	51877M	1		Pressure Switch Manifold w/TOT White Connector (Hybrid Vehicles)	2004-08
150E	51877GT	1		Park/Neutral (P/N) Position Switch (External Dual Connector- Some Models)	1995-03
150E	51877MT	1		Park/Neutral (P/N) Position Switch (External Single Connector)	2004-08
---	51877T		1	Internal Mode Switch	2009-On
---	K51857GVC		1	P/N Switch 7-Way and 4-Way Repair End Kit (Vehicle Harness Side)	1995-03
---	K51857MVC		1	P/N Switch Single Connector Style Repair End Kit (Vehicle Harness Side)	2004-08
Aftermarket Specialty Items:					
---	CSII		1	Compushift Kit (Stand-alone Controller, Wire Loom and Self-adjusting TPS)	1993-On
---	CSLCD		1	Compushift Remote Display/Calibrator	1993-On
---	ST51946		1	High Gear Lock-up Delay Package Superior - Electronic	1982-93
---	51655E		1	Auto Trans Interceptor (ATG) Delays TCC and Increases Line Pressure	1993-On
---	K33660		1	4th Gear Lockout Kit..... Superior, Prohibits Overdrive	1993-On
---	K51656E		1	GM Power Relay (Easy Fix For a Failed Ignition Switch)	1993-On
SHIFT ENHANCEMENT KITS AND VALVES					
---	K51943		1	Jr. Shift Kit	TransGo 1982-93
---	K51944		1	Valve Body Shift Kit	TransGo 1982-93
---	K51943RT		1	Valve Body Kit.....	RatioTek 1982-93
---	ST51944		1	Shift Correction Package.....	Superior 1982-93
---	700-2 & 3		1	Reprogramming Kit.....	TransGo 1982-93
---	K51944RT		1	High Performance Valve Body Kit	RatioTek 1982-93
---	ST51944HP		1	High Performance Correction Package	Superior 1982-93
---	K51944E		1	Valve Body Shift Kit	TransGo 1993-On
---	ST51944E		1	Shift Calibration Package (Superior, w/o "PWM Powervalue")	1993-97
---	ST51944K		1	Shift Calibration Package (Superior, w/"PWM Powervalue - ST51989PV")	1998-E/05
---	K51943ERT		1	Valve Body Kit.....	RatioTek 1993-08
---	K51944ERT		1	High Performance Valve Body Kit	RatioTek 1993-08
---	4L60E-HD2		1	Reprogramming Kit ('98-On may require Torque Management Computer Modification)	1993-On
Note: Shift Enhancement Kits do not work on Hybrid units.					

TH700-R4, 4L60, 4L60-E, 4L65-E, 4L70-E - Cont'd.

TH700-R4 / 4L60-E

ILL. NO.	PART NUMBER	700-R4 4L60	4L60-E 4L65-E	DESCRIPTION	YEARS
SHIFT ENHANCEMENT KITS AND VALVES - Cont'd.					
---	K51949	1	1	Servo Apply Spring Correction Kit Superior	1982-On
---	K51948	1		Non-Lockup Lube Valve Kit TransGo	1982-93
---	K51948E	1	1	Non-Lockup Lube Valve Kit (All w/o PWM TCC) TransGo	1982-94
---	ST51947	1		Lock-up Delay Package (Hydraulic) Superior	1982-93
---	ST51916	1		Shift Point Package (Governor Weights and Springs)	1982-93
---	K51879V		1	Vacuum Pressure Control Kit..... TransGo	1993-On
Valves:					
---	51886	1		3-4 WOT Upshift Sleeve (T.V. Plunger Sleeve Only)	1982-93
---	K51886	1		T.V. Valve Plunger and Sleeve Kit (OEM "93" I.D.)	1982-93
---	K51886A	1		T.V. Valve Plunger and Sleeve Kit (OEM "94" I.D.)	1982-93
---	K51886HP	1		T.V. Valve Plunger and Sleeve Kit (Includes 51886 3-4 WOT Sleeve)	1982-93
---	51989⁸	1		T.C.C. Apply Valve with Teflon Seal (In Pump Stator - Sonnax).....	1982-93
---	51989E⁸		1	T.C.C. Apply Valve with Teflon Seal (In Pump Stator - Sonnax).....	1993-E/05
---	ST51989PV	1		T.C.C. Apply "Power Valve" (In Pump Stator, PWM Only - Superior)	1995-E/05
---	K51989P	1		T.C.C. Apply Valve Kit (In Pump Stator, Units w/ISS)	L/05-On
---	K51887E⁸	1		T.C.C. Isolator & Regulator Valve Kit (In VB - Sonnax, Use w/51587E Reamer).....	1993-97
---	K51887K⁸	1		T.C.C. Isolator & Regulator Valve Kit (In VB - Sonnax, Use w/51587E Reamer).....	1998-On
---	K51887G⁸	1		T.C.C. Isolator Valve Kit (In VB - TeckPak - Code 1870)	1996-99
---	K51887L⁸	1		T.C.C. Isolator Valve Kit (In VB - TeckPak, For OBDII Controlled Vehicles).....	2000-On
---	K51887M⁸	1		T.C.C. Isolator Valve Kit (In VB - TeckPak, For CANBUS Controlled Vehicles)....	2003-On
---	K51887EA⁸	1		T.C.C. Isolator Valve Kit (In VB - TransGo, For SRTA Valve Body)	1993-On
---	K51887EAW⁸	1		T.C.C. Isolator Sleeve (In VB - Sonnax, Oversized, Use w/51587EAW Reamer).....	1993-On
---	K51887EAW⁸	1		T.C.C. Isolator Sleeve (In VB - Sonnax, SRTA VB, Use w/51587EAW & EAV Tools)...	1993-On
⁸ Addresses TCC code 1870, no lock-up, burnt fluid and failed converter.					
---	K51886E		1	Actuator Feed Limit Valve (Use w/K51586E Reamer)	1993-On
---	K51887A	1		Converter Clutch Throttle Valve Kit (Allows TCC w/o Computer on Appropriate V.B.) .	1982-88
---	K51889	1		T.V. Boost Valve and Bushing (Heavy Duty - .423").....	1982-93
---	K51889HD	1		T.V. Boost Valve and Bushing (Heavy Duty - .472").....	1982-93
---	K51889HP	1		T.V. Boost Valve and Bushing (High Performance - .500")	1982-93
---	K51889E	1		T.V. Boost Valve and Bushing (Stock - .470" - 1.910" Long - Units w/o ISS)	1993-E/05
---	K51889P	1		T.V. Boost Valve and Bushing (Stock - .470" - 1.810" Long - Units w/ISS)	L/05-On
---	K51889EU	1		T.V. Boost Valve and Bushing (Stock - .470" - Universal Design, Fits All Years) ...	1993-On
---	K51889EHP	1		T.V. Boost Valve and Bushing (Hipo - .500" - Universal Design, Fits All Years)	1993-On
---	K51889PHP	1		T.V. Boost Valve and Bushing (Hipo - .500" - 1.810" Long - Units w/ISS)	L/05-On
---	K51889ELB	1		Line Pressure Booster Kit (Sonnax - 1.910" Long - Units w/o ISS)	1993-E/05
---	K51889PLB	1		Line Pressure Booster Kit (Sonnax - 1.810" Long - Units w/o ISS)	L/05-On
---	K51989	1		Rev/Int Boost Valve (Firm 1-2 Manual Shift)	1982-93
---	K51989W	1		Rev/Int Boost Valve (Sonnax w/O'Rings, Firm 1-2 Manual Shift)	1982-93
---	51883A	1		Throttle Valve (Oversized, Use w/51583 Reamer, for VB w/o Alum.T.V. Sleeve).....	1982-93
---	51884A	1		Pressure Regulator Valve (Oversized, Use w/K51584 Reamer)	1982-93
---	51884EA	1		Pressure Regulator Valve (Oversized, Use w/K51584 Reamer)	1993-On
---	K51885	1	1	Accumulator Valve Train Assembly (.315, " K" Version - Light Cars/Trucks)	1982-On
---	K51885HD	1	1	Accumulator Valve Train Assembly (.330, " L" Version - Medium Cars/Trucks)	1982-On
---	K51885HP	1	1	Accumulator Valve Train Assembly (.341, " M" Version - Heavy Cars/Trucks)	1982-On
---	51983E	1		Aluminum 2-3 Shift Valve (Sonnax, Code 756, For No 1st or 2nd)	1993-On
---	51983EHD	1		Heavy Duty 2-3 Shift Valve (Sonnax, Applies Overrun Clutch in 1st, 2nd & 3rd in D3).	1993-On
---	K51984	1		Oversized 4-3 Sequence Valve Kit (Sonnax, Use w/51594 Reamer, For No 4th).....	1982-93
---	K51984E	1		Oversized 4-3 Sequence Valve Kit (Sonnax, Use w/51594E Reamer, For No 4th).....	1993-On
---	K51985E	1		3-4 Relay Valve End Plugs (Sonnax, 5-Pieces)...	1993-On
---	ST51767	1		3-2 Downshift Spring and Valve Stop Kit (Superior, Replaces Broken OEM Spring)..	1996-08
MISCELLANEOUS					
Servo Items:					
160D	K51826W	1	1	4th Gear Super Hold Servo Piston Kit (Sonnax, More Holding Power in 4th)	1982-On
160D	ST51826HP	1	1	4th Gear Super Hold Servo Piston Kit (Superior, More Holding Power in 4th)	1982-On

TH700-R4, 4L60, 4L60-E, 4L65-E, 4L70E - Cont'd.

ILL. NO.	PART NUMBER	700-R4 4L60	4L60-E 4L65-E	DESCRIPTION	YEARS
MISCELLANEOUS - Cont'd.					
Servo Items - Cont'd:					
161E	K51828C	1	1	2nd Servo Piston Kit OEM Corvette Style	1982-On
161E	K51828CA	1	1	2nd Servo Piston Kit Aftermarket Corvette Style	1982-On
161E	K51828HP	1	1	2nd Servo Piston Kit ... Superior Servo - 40% More Holding Power in 2nd	1982-On
Accumulator Items - Cont'd:					
162E	K51782		1	1-2 Accumulator Piston w/Seal (In Tower w/Large Hole)	1993
162E	K51782E		1	1-2 Accumulator Piston w/Seal (In Tower w/Small Hole, OEM, Alum w/Legs)	1994-On
162E	K51782EA		1	1-2 Accumulator Piston w/Seal (In Tower w/Small Hole, Alum w/Legs)	1994-On
162E	K51782L		1	1-2 Accumulator Piston (4L65/70-E, In Tower w/Small Hole, OEM w/No Legs)	2003-On
162E	K51782LA		1	1-2 Accumulator Piston (4L65/70-E, In Tower w/Small Hole Alum w/No Legs)	2003-On
162E	K51782	1-3		1-2, 3-4 & Forward OEM Accumulator Pistons (w/Seal)	1982-93
162E	K51782A	1-3		1-2, 3-4 & Forward Accumulator Pistons (w/Seal)	1982-93
162E	K51782PL	2	2	1-2, 3-4 "Pinless" Twin Teflon Sealed Accumulator Piston Kit (Sonnax)	1982-On
163E	K51782		1	3-4 Accumulator Piston w/Seal (In Case w/Large Hole)	1993-On
163E	K51782W	1	1	3-4 Accumulator Sleeve, Piston and Pin Kit (In Case w/Large or Small Hole)	1982-On
164E	K51781E		1	Forward Accumulator Piston (In Valve Body, OEM Upgraded Plastic)	1993-On
164E	K51781EA		1	Forward Accumulator Piston (In Valve Body, Aftermarket Aluminum)	1993-On
164E	K51781PL		1	Forward "Pinless" Accumulator Piston Kit (In Valve Body, Sonnax)	1993-On
165E	51892	1	1	1-2 Accumulator Housing (Tower w/Large Pin)	1982-93
165E	51892F		1	1-2 Accumulator Housing (Tower w/Small Pin)	1994-On
166E	K51742	1-3		1-2, 3-4, Forward Accumulator Pins (Oversized-4 Pieces - Requires Reamer)	1982-93
166E	K51742R	1-3		1-2, 3-4, Forward Accumulator Pins (Oversized-10 Pieces - Includes Reamer)	1982-93
166E	K51741E		1	Forward Accumulator Pins (Oversized - 4 Pieces - Requires Reamer)	1993-On
166E	K51741ER		1	Forward Accumulator Pins (Oversized - 10 Pieces - Includes Reamer)	1993-On
Capsules:					
---	K51937J		1	TCC Pump Orifice Capsule (Original One Usually Melts - 5 Pieces)	1996-On
---	51935	1	1	Reverse Check Valve Retainer Assembly (In Pump)	1982-On
167A	52931	1	1	Reverse Drum Check Ball Capsule	1982-86
---	K51936	1	1	Reverse Piston Capsule (Installs in Aluminum Piston - 10 Pieces)	1982-On
168B	51932	1	1	Input Shaft TCC Capsule	1982-On
---	51934	1	1	3-4 Clutch Rapid Relief Valve (Superior, In Input Drum, Updates OEM Design)	1982-On
169D	51933	1	1	3rd Accumulator Retainer w/Check Ball (Near Servo)	1982-On
169D	51933W	1	1	Servo Release Check Valve (Prevents 3-4 Clutch Failure, 2-3 Flare or 3-2 Tie-up)	1982-On
---	51930	1	1	Low/Reverse Check Ball Capsule (Rear of Case)	1982-On
Miscellaneous:					
141B	K51846HD	1	1	Input Drum Reinforcement Sleeve/Piston Kit (Sonnax, HiPo Applications)	1982-On
---	33999		AR	Converter Bolt (External/Internal Hex)	1993-On
---	51994H		AR	Pump Bolts (TorX50)	1996-On
170D	51954J		2	Cooler Line Fitting (Push-in Style)	1996-On
---	33955E		2	Cooler Line Retaining Clip (For Push-in Style Fitting)	1996-On
171D	51993	1	1	Reluctor Wheel (Speed Sensor Exciter)	1987-On
172D	51991A	1	1	Output Shaft Sleeve 3.25" Long	1985-On
173E	51995	1		Valve Body Spacer Plate ("P" Code)	1982-86
173E	51995A	1		Valve Body Spacer Plate ("BV" Code)	1987-93
173E	51995U	1		Valve Body Spacer Plate (Universal)	1982-93
173E	51995E	1	1	Valve Body Spacer Plate (w/o PWM TCC Solenoid)	1993-94
173E	51995G	1	1	Valve Body Spacer Plate (w/ PWM 3-2 Control Solenoid)	1995
173E	51995H	1	1	Valve Body Spacer Plate (w/On/Off 3-2 Control Sol, exc. Hybrid & '05 Vette)	1996-06
173E	51995V	1	1	Valve Body Spacer Plate w/Gaskets (w/On/Off 3-2 Control Sol, 2005 Vette)	2005
173E	51995R	1	1	Valve Body Spacer Plate w/Gaskets (All, except Hybrid)	2007-08
173E	51995T	1	1	Valve Body Spacer Plate w/Gaskets (w/o On/Off 3-2 Control Sol, exc. Hybrid)	2009-On

TH700-R4, 4L60, 4L60-E, 4L65-E, 4L70-E

TH700-R4 / 4L60-E

ILL. NO.	PART NUMBER	700-R4 4L60	4L60-E 4L65-E	DESCRIPTION	YEARS
MISCELLANEOUS - Cont'd.					
Miscellaneous:					
173E	51995M		1	Valve Body Spacer Plate (Hybrid Vehicles)	2004-08
---	51880		1	Corner Plate (For Spring-Damaged Separator Plate)	1982-93
---	K51881		1	Separator Plate Check Ball Seat Repair Kit	1982-On
174E	K51915		1	Governor Gear Kit	1982-93
175E	45934		1	Parking Pawl Shaft Expansion Plug	1982-On
176E	FT700U		1	Filler Tube with Dipstick (Locking Cap)	1982-On
---	34840		1	Vent Tube	1982-On
177E	51732		1	2nd Apply Piston Pin (2.670")... Was 3 Rings, New Has 2 Rings	1982-On
177E	51732A		1	2nd Apply Piston Pin (2.720") Was a Wide Band, New Has No Groove	1982-On
177E	51732EP		1	Servo Extendo-Pin (Lengthens Pin)	1982-On
---	51992		1	Manual Valve Link w/Clip..... Updated Design	1982-93
---	K51957		1	T.V. Link (Shortened, 5 Pieces)..... Sonnax	1982-93
---	K51508U		1	T.V. Cable Corrector (Allows WOT w/o Pulling Cable Out of Adjustment)	1982-93
---	K51508EU		1	T.V. Cable Corrector Bracket Adapter (For Edelbrock Carburetors - Sonnax)	1982-93
---	K51508HU		1	T.V. Cable Corrector Bracket Adapter (For Holley Carburetors - Sonnax)	1982-93
---	51701E		1	Wiring Harness Connector Bracket (Prevents Connector From Pushing Into Pan)....	1993-On
---	51990R		1	Cable End Repair Kit (Carburetor Side)	1982-93
---	44140		1	Linkage Grommet.....	1982-On
---	51150		1	Driveshaft Yoke Seal (Seals Hole Inside of Yoke, Use w/51913 Installer)	1982-On
---	K51912		1	Changeover Kit to TH350/C..... 4x4	1982-93
---	K51894M		1	Secondary Fluid Pump (Mounted on Valve Body, Hybrid Vehicles Only)	2004-08

HARD PARTS

Note : When ordering Hard Parts, please add the appropriate suffix : (-R) Reman, (-U) Used, (-A) Aftermarket.

Pumps and Pump Components:

178A	51890	1	1	Front Pump Seal Retainer	1982-On
179A	51824	1	1	Front Pump Slide Pivot Pin.....	1982-On
180A	51818	1	1	Front Pump Slide (.7060"-.7065") 7, 10 and 13-Vane	1982-On
181A	51822	2	2	Pump Vane Rings (7, 10, 13-Vane) Hardened	1982-On
182A	45418R	1		Front Pump Rotor Guide 7-Vane Type	1982-86
182A	51418	1	1	Front Pump Rotor Guide 10-Vane Type	1982-96
182A	51418J	1	1	Front Pump Rotor Guide 13-Vane Type	1997-On
183A	51817A	1	1	Front Pump Rotor (.7060"-.7065") 10-Vane Type	1982-96
183A	51817J	1	1	Front Pump Rotor (.7060"-.7065") 13-Vane Type	1997-On
184A	46823	7-10	13	Front Pump Vane..... All	1982-On
---	K51820	1	1	Front Pump Vane & Ring Kit H.D..... 10-Vane Type	1982-96
---	K51820J	1	1	Front Pump Vane & Ring Kit H.D..... 13-Vane Type	1997-On
---	K51946	1	1	H.D. Vane Ring & Spring Kit..... Under 6000 RPM	1982-On
---	K51946H	1	1	H.D. Vane Ring & Spring Kit..... Over 6000 RPM	1982-On
---	K51817A	1	1	Front Pump Rotor Package..... 10-Vane Type	1982-96
---	K51817J	1	1	Front Pump Rotor Package..... 13-Vane Type	1997-On
---	K51819A	1	1	Complete Pump Rotor/Slide Package... 10-Vane Type	1982-96
---	K51819J	1	1	Complete Pump Rotor/Slide Package... 13-Vane Type	1997-On
---	51812B	1	1	Stator Shaft (245/298mm TC) 6.831" Tall	1987-04
---	51812P	1	1	Stator Shaft (298mm TC) w/Input Speed Sensor	2004-On
---	51812K	1	1	Stator Shaft (310mm TC) 7.295" Tall	1998-04
---	51812R	1	1	Stator Shaft (280/300mm TC) w/Input Speed Sensor	2004-On

TH700-R4, 4L60, 4L60-E, 4L65-E, 4L70E - Cont'd.

ILL. NO.	PART NUMBER	700-R4 4L60	4L60-E 4L65-E	DESCRIPTION	YEARS
HARD PARTS - Cont'd.					
Note : When ordering Hard Parts, please add the appropriate suffix : (-R) Reman, (-U) Used, (-A) Aftermarket.					
190A	K51895	1		Pump Assembly.....(Small Shaft, 27 Spline Shaft and .900" I.D. Bushing)	1982-84
190A	K51895A	1		Pump Assembly.....(Large Shaft, 30 Spline Shaft and .1000" I.D. Bushing)	1984-86
190A	K51895B	1		Pump Assembly. (Large Shaft, 30 Spline Shaft, .1000" I.D. Bushing & Aux. V.B.) ...	1987-93
190A	K51895E		1	Pump Assembly..... (Non-PWM)	1993-94
190A	K51895G		1	Pump Assembly..... (PWM, w/o Lip - For 1-Piece Case Units)	1995-96
190A	K51895H		1	Pump Assembly..... (PWM, w/Lip - For 2-Piece Case Units)	1996
190A	K51895J		1	Pump Assembly... (PWM, w/Lip - For 2-Piece Case Units, 13 Vane - 298mm TC)	97-E/04
190A	K51895K		1	Pump Assembly (PWM, w/Lip - For 2-Piece Case Units, 13 Vane - 310mm TC)	98-E/04
190A	K51895M		1	Pump Assembly.....(PWM, w/Lip - w/Compression Seal, 13 Vane - 298mm TC)	L/04-05
190A	K51895N		1	Pump Assembly.....(PWM, w/Lip - w/Compression Seal, 13 Vane - 310mm TC)	L/04-05
190A	K51895P		1	Pump Assembly.....(w/Input Speed Sensor - 280/298mm TC)	L/05-On
190A	K51895R		1	Pump Assembly.....(w/Input Speed Sensor - 310mm TC)	L/05-On
191A	51806B	1	1	Reverse Input Clutch Housing w/Drum - From 2/9/87	1987-On
191A	K51806E	1	1	Reverse Input Clutch Housing (Loaded-Will Retro to 82)	1982-On
141B	K51846HD	1	1	Input Drum Reinforcement Sleeve/Piston Kit (Sonnax, Hipo Applications)	1982-On
192B	51801B	1	1	Input Clutch Drum (245mm - 27 Spline - w/o Pilot - w/o Step in Lug)	1987-05
192B	51801C	1	1	Input Clutch Drum (298mm - 30 Spline - w/Pilot - w/o Step in Lug)	1987-05
192B	51801K	1	1	Input Clutch Drum (310mm - 30 Spline - w/o Pilot - w/o Input Speed Sensor)	1998-05
192B	51801P	1	1	Input Clutch Drum (245mm - 27 Spline - w/o Pilot - w/Input Speed Sensor)	L/05-On
192B	51801R	1	1	Input Clutch Drum (310mm - 30 Spline - w/o Pilot - w/Input Speed Sensor)	L/05-On
193B	K51814A	1	1	Sprag/Race Kit w/Input Sun Gear (Updates From 26 to 29 Elements)	1982-On
194C	51860	1	1	Input Sun Gear (Early Style)	1982-94
195C	51833	1	1	Input Carrier (Front Planetary, 4-Pinion)	1982-06
195C	51833L	1	1	Input Carrier (Front Planetary, 5-Pinion, use w/51422 & 51858L)	2001-06
195C	51833P	1	1	Input Carrier (Front Planetary, 4-Pinion, use w/51422P & 51858P)	2007 -On
195C	51833R	1	1	Input Carrier (Front Planetary, 5-Pinion, use w/51422P & 51858P)	2007 -On
195C	K51833L	1	1	Input Carrier (Front Planetary, 5-Pinion) & Ring Gear Hub (use w/51810L)	2001-06
195C	K51833P	1	1	Input Carrier (Front Planetary, 4-Pinion) & Ring Gear Hub (will Retrofit to '01)	2007 -On
195C	K51833R	1	1	Input Carrier (Front Planetary, 5-Pinion) & Ring Gear Hub (will Retrofit to '01)	2007 -On
---	K51835	1	1	Geartrain Kit (4-Pinion, Includes III.# 194C thru 204C, excluding 200 & 201C)	1982-00
---	K51835P	1	1	Geartrain Kit (4-Pinion, Includes III.# 194C thru 204C, excluding 200 & 201C)	2001-On
---	K51835L	1	1	Geartrain Kit (5-Pinion, Includes III.# 194C thru 204C, excluding 200 & 201C)	1982-00
---	K51835R	1	1	Geartrain Kit (5-Pinion, Includes III.# 194C thru 204C, excluding 200 & 201C)	2001-On
196C	51859	1	1	Input Internal Gear (Front Ring Gear)	1982-On
197C	51858	1	1	Reaction Carrier Shaft (Frnt. Ring Gear Hub) Washer Style	1982-00
197C	51858L	1	1	Reaction Carrier Shaft (Frnt. Ring Gear Hub) Bearing Style (Brg. Centers on Planet).....	2001-04
197C	K51858L	1	1	Reaction Carrier Shaft (Frnt. Ring Gear Hub) and Bearing Style Sun Shell Kit ...	1982-04
197C	51858P	1	1	Reaction Carrier Shaft (Frnt. Ring Gear Hub) Uses 51422P Brg & Centers in Hub ..	2005-On
198C	51810	1	1	Reaction Sun Shell Washer Style	1982-00
198C	51810B	1	1	Reaction Sun Shell (Beast) (Can use w/Bearing "01-On)	1982-On
198C	51810M	1	1	Reaction Sun Shell (Monster) (Can use w/Bearing "01-On)	1982-On
198C	K51810HD	1	1	Reaction Sun Shell Kit (Sonnax Smart Shell)	1982-On
198C	51810L	1	1	Reaction Sun Shell Bearing Style	2001-On
199C	51865	1	1	Reaction (Rear) Sun Gear	1982-On
200C	51811	1	1	Low & Reverse Overrun Clutch Race (Inner)	1982-On
201C	K51808HD	1	1	Low & Reverse Support (Saves Worn Cases-Use w/44815)	1982-86
201C	K51808AHD	1	1	Low & Reverse Support (Saves Worn Cases-Use w/51815)	1987-On
202C	51831	1	1	Reaction Carrier (4-Pinion, Rear Planetary)	1982-On
202C	51831L	1	1	Reaction Carrier (5-Pinion, Rear Planetary)	1982-On
203C	51864	1	1	Reaction Internal Gear (Rear Ring Gear, Hardened)	1982-On

TH700-R4, 4L60, 4L60-E, 4L65-E, 4L70-E - Cont'd.

ILL. NO.	PART NUMBER	700-R4 4L60	4L60-E 4L65-E	DESCRIPTION	YEARS
HARD PARTS - Cont'd.					
Note : When ordering Hard Parts, please add the appropriate suffix : (-R) Reman, (-U) Used, (-A) Aftermarket.					
204C	51863	1	1	Reaction Internal Gear Support (Rear Ring Gear Hub)	1982-E/05
204C	51863P	1	1	Reaction Internal Gear Support (Rear Ring Gear Hub - Cone Shaped)	L/05-On
205C	51840		1	Low/Reverse Clutch Aluminum Piston (Updated)	1993-On
214E	K51884	1		Oil Pan (Aftermarket Deep Type)	1982-93
214E	K51884C		1	Oil Pan (Aftermarket Deep Type) Corvette	1997-04
214E	K51884E		1	Oil Pan (Aftermarket Deep Type) ... Call for More Info	1993-On
214E	K51884J		1	Oil Pan (Aftermarket Deep Type) ... Call for More Info	1996-On
215E	20-116	1		Valve Body (Reman) w/TCC Bore	1982-87
215E	20-117	1		Valve Body (Reman) Auxillary Valve body w/TCC Bore	1987-92
215E	20-118	1		Valve Body (Reman) Auxillary Valve body w/o TCC Bore	1989-93
215E	20-119		1	Valve Body (Reman) Non-PWM, 4-Solenoids	1993-94
215E	20-120		1	Valve Body (Reman) PWM	1995
215E	20-121		1	Valve Body (Reman) PWM	1996-00
215E	20-122		1	Valve Body (Reman) .. w/Early Style EPC Solenoid (Black Body - 33879A)	2001-02
215E	20-122A		1	Valve Body (Reman) .. w/Late Style EPC Solenoid (Silver Body - 51879L)	2003-08
215E	20-122B		1	Valve Body (Reman)	2009-On
TOOLS					
---	T30A	1	1	"H" Gauge (Front Pump Clearance Gauge)	1982-On
---	T151A	1	1	Rear Clutch Spring Compressor.....	1982-On
---	T222	1	1	Front Pump Alignment Band (Universal)	1982-On
---	T1503		1	Stator Shaft Teflon Ring Installer and Resizer.....	1993-On
---	T1527	1	1	Overrun Clutch Lip Seal Installer/Protector	1982-On
---	T1528	1	1	Forward Clutch Lip Seal Installer/Protector	1982-On
---	T1550		1	Torx-Bit for Removable Bell Housing (50-IP)	1996-On
---	T1574	1	1	Turbine Shaft Ring Installer and Resizer.....	1982-On
Notes:					

TH700-R4 / 4L60-E