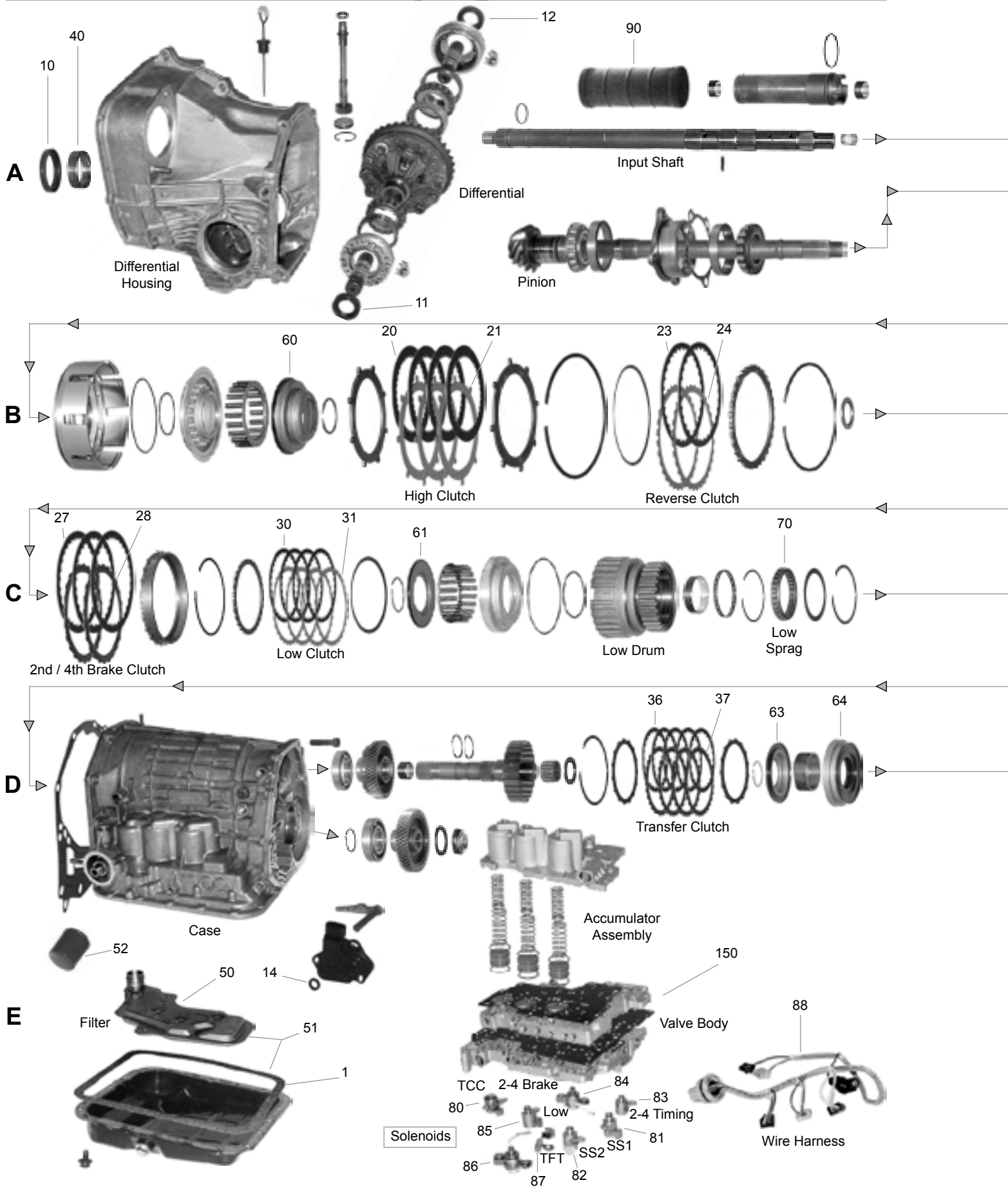
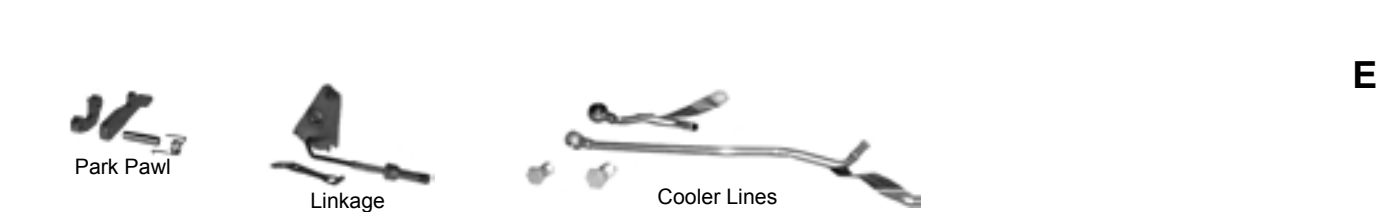
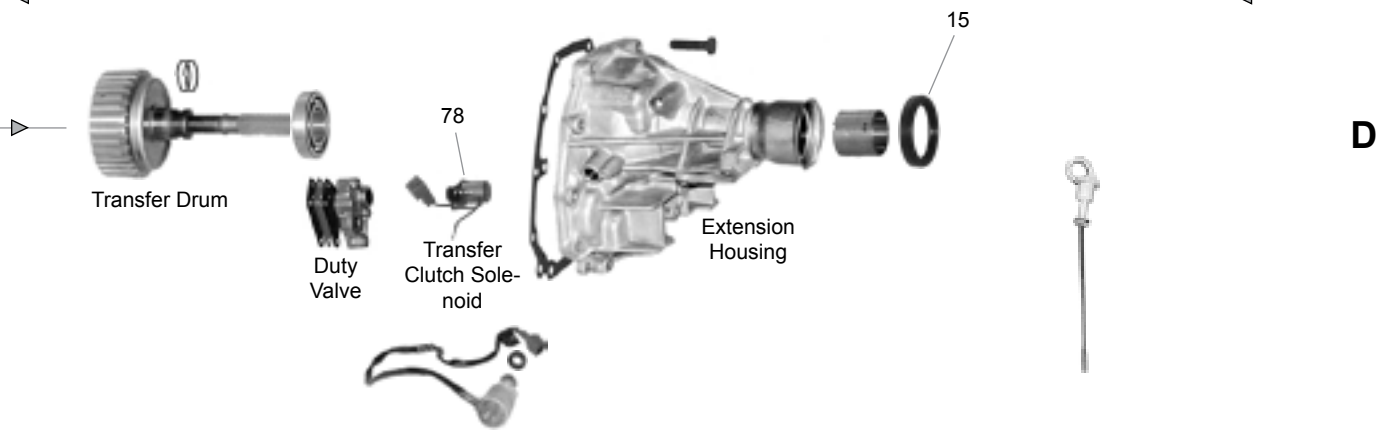
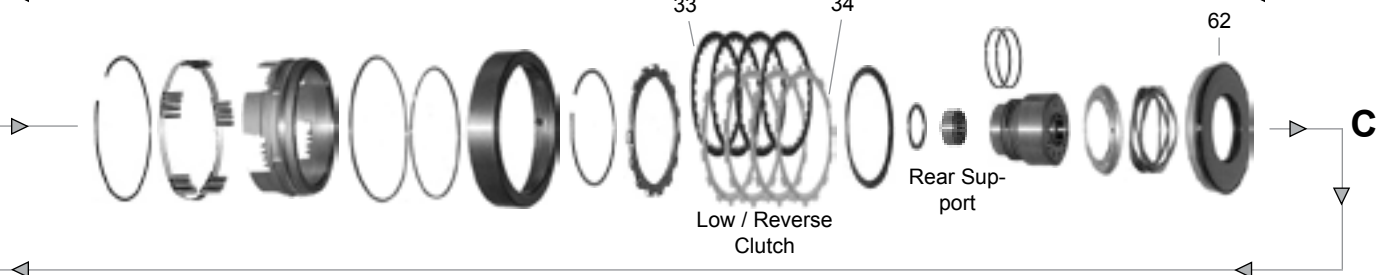
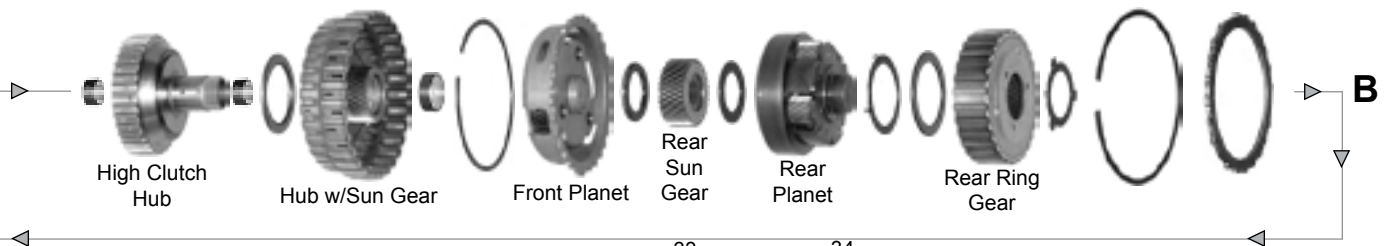
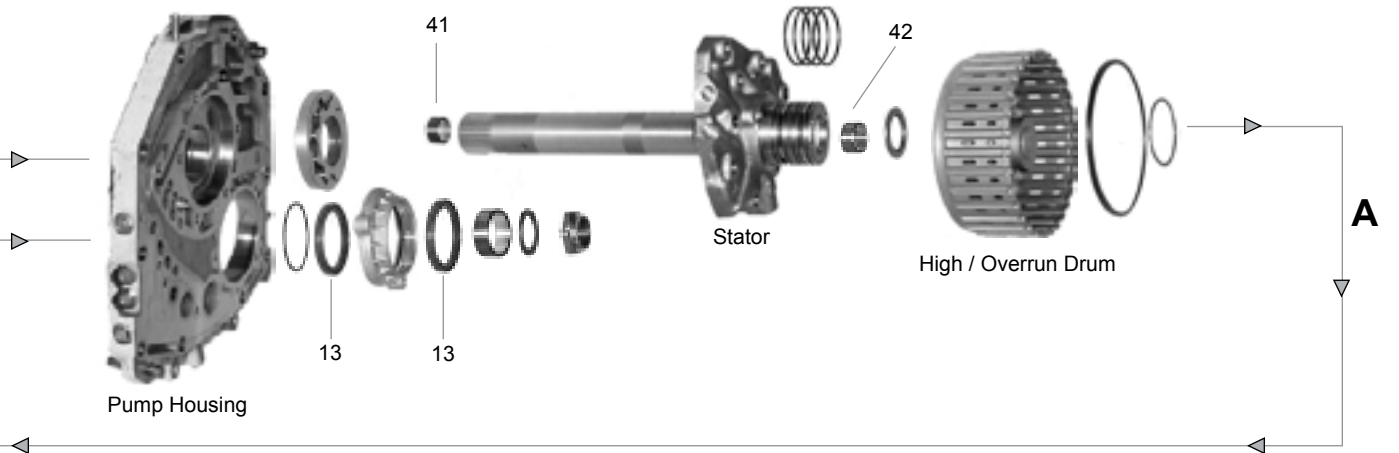


Subaru EC8 / 4EAT (1999-Up)

4 Speed FWD / AWD





Subaru 4-Speed, 1999-On (2WD & 4WD)

ILL. NO.	PART NUMBER	PER CAR	DESCRIPTION	YEARS
MASTER BOX KITS				
---	K7400E-S ^{1,2}		Master Kit (w/o Steels) All	1999-On
---	K7400E-9 ¹		Steel Plate Sub-Kits: Steel Plate Kit All	1999-On
¹ The kits listed above do not include Transfer Case clutch plates, please order from the clutch plate section below. ² Kit does not include the bonded clutch pistons, please order as required.				
OVERHAUL KITS AND GASKET SETS				
---	K74900E ²		Overhaul Kit (Includes T-Case Section)	1999-On
---	K74900E-1 ²		Gasket and Rubber Kit (Includes T-Case Section)	1999-On
---	K74900E-3		Valve Body Set (Early and Late Gaskets)	1999-On
GASKET AND RUBBER COMPONENTS				
1E	74170E	1	Oil Pan Gasket Duraprene	1999-On
METAL CLAD SEALS				
10A	74526	1	Converter 50x65x10mm	1999-On
11A	74551	1	Axle (Left) 30x50x9mm	1999-03
11A	74551M	1	Axle (Left) 30x50x9mm	2004-On
12A	74551A	1	Axle (Right) 30x50x9mm	1999-03
12A	74551MA	1	Axle (Right) 30x50x9mm	2004-On
13A	74552	2	Final Drive Pinion (Front & Rear) 51x66x6.5mm	1999-On
14D	74507	1	Manual Lever Seal 16x25x5mm	1999-On
15D	65511	1	Extension Housing (4WD Only) 35x50x11mm	1999-On
---	74511	1	Speedometer 12x7.5x8mm	1999-On
SEALING RINGS				
---	K74901E	1	Sealing Ring Kit All	1999-On
CLUTCH PLATES				
20B	74302E	4	High Friction 36T, .063" - 5.445" O.D.	1999-On
21B	74303E	4	High Steel 8T, .078" - 4.420" I.D.	1999-On
23B	74306E	2	Reverse Friction 30T, .063" - 5.880" O.D.	1999-On
24B	74307E	2	Reverse Steel 32T, .063" - 5.245" I.D.	1999-On
27C	74308E	3	2-4 Brake Friction 30T, .063" - 6.570" O.D.	1999-On
28C	74309E	2	2-4 Brake Steel 23T, .093" - 5.695" I.D.	1999-On
30C	74304E	6	Forward (Low) Friction 30T, .071" - 5.430" O.D.	1999-On
31C	74305E	6	Forward (Low) Steel 30T, .055" - 4.845" I.D.	1999-On
33C	74321E	5-6	Low/Reverse Friction 30T, .063" - 5.800" O.D.	1999-On
34C	74322B	5-6	Low/Reverse Steel 14T, .063" - 5.090" I.D.	1999-On
Transfer Case:				
36D	74323	AR	Transfer Case Friction 24T, .077" - 4.647" O.D.	1999-On
36D	74323A	6	Transfer Case Friction 24T, .070" - 4.647" O.D.	1999-On
36D	74323B	AR	Transfer Case Friction 50T, .070" - 4.647" O.D.	1999-On
37D	74324	AR	Transfer Case Steel 30T, .070" - 4.123" I.D.	1999-On
37D	74324A	6	Transfer Case Steel 30T, .062" - 4.123" I.D.	1999-On
37D	74324B	AR	Transfer Case Steel 30T, .078" - 4.123" I.D.	1999-On

Subaru 4-Speed, 1999-On (2WD & 4WD)

ILL. NO.	PART NUMBER	PER CAR	DESCRIPTION	YEARS
BUSHINGS				
---	K74980E	1	Bushing Assortment Kit	1999-On
40A	74005	1	Pump	1999-On
41A	74001EY	1	Front Stator (Front - Omega)	1999-On
42A	74002EY	1	Front Stator (Rear - Omega)	1999-On
TRANSMISSION OIL FILTERS				
50E	74600E	1	Oil Filter (w/Multiple Bolt Holes)	1999-04
50E	74600EF	1	Oil Filter (w/3-Bolt Holes)	2005-On
51E	ATK-220	1	Oil Filter Kit	1999-04
51E	ATK-278	1	Oil Filter Kit	2005-On
52E	74609E	1	Spin-On External Oil Filter	1999-On
MOLDED RUBBER PISTONS				
---	K74900E-4	1	Molded Rubber Piston Kit 2.2 Litre	1999-On
---	K74900E-4A	1	Molded Rubber Piston Kit 2.5 Litre	1999-On
---	K74900E-4B	1	Molded Rubber Piston Kit 2.0 Turbo & 3.0 Litre	1999-On
60B	74843E	1	High Clutch Bonded Balance Piston	1999-On
61C	74841E	1	Low Clutch Bonded Balance Piston	1999-On
62C	74840E	1	Low/Reverse Clutch Bonded Piston (.850") 2.2 Litre	1999-On
62C	74840EA	1	Low/Reverse Clutch Bonded Piston (.725") 2.5 Litre	1999-On
62C	74840EB	1	Low/Reverse Clutch Bonded Piston (.600") 2.0 Turbo & 3.0 Litre	1999-On
63D	74847E	1	Transfer Clutch Bonded Balance Piston	1999-On
64D	74848E	1	Transfer Clutch Bonded Piston	1999-On
SPRAGS				
70C	74813E	1	Low Sprag	1999-On
ELECTRONIC COMPONENTS				
---	K74879E	1	Solenoid Kit	1999-04
---	K74879EF	1	Solenoid Kit	2005-On
78D	74871TE	1	Transfer Clutch Solenoid (4WD) Rear Of Case	1999-6/03
78D	74871TEA	1	Transfer Clutch Solenoid (4WD) Rear Of Case - Not in Kits	7/03-4/06
---	74871TF	1	Transfer Clutch Solenoid (4WD) On Valve Body	2005-On
80E	74870E	1	Lock-Up Duty Control Solenoid Blue Connector	1999-04
---	74870EF	1	Lock-Up Duty Control Solenoid Gray Connector	2005-On
81E	74871E	1	Shift Solenoid No. 1 Green Connector	1999-04
82E	74872E	1	Shift Solenoid No. 2 Yellow Connector	1999-04
83E	74873E	1	2-4 Brake Timing Solenoid Black Connector	1999-04
---	74870EF	1	High Clutch Duty Solenoid Gray Connector	2005-On
84E	74879E	1	2-4 Brake Duty Solenoid Red Connector	1999-04
---	74874EF	1	2-4 Brake Duty Solenoid Brown Connector	2005-On
85E	74875E	1	Low Clutch Timing Solenoid Gray Connector	1999-04
---	74870EF	1	Low/Reverse Clutch Duty Solenoid Gray Connector	2005-On
---	74874EF	1	Low Clutch Duty Solenoid Brown Connector	2005-On
86E	74879E	1	Line Pressure Solenoid Red Connector	1999-04
---	74879EF	1	Line Pressure Solenoid Linear	2005-On
87E	74878ET	1	Trans Fluid Temperature Sensor On V.B.	1999-04
88E	74869E	1	Internal Wiring Harness	1999-04
88E	74869EF	1	Internal Wiring Harness	2005-On
HARD PARTS AND MISCELLANEOUS				
---	K74944ERT	1	Valve Body Kit (RatioTek) Stock Vehicles	1999-On
---	K74944EHD	1	Valve Body Kit (RatioTek) Vehicles with Blowers and NOS	1999-On
Provides: Quick Clean Shifts and More Converter Clutch Holding Power.				
90A	74880	1	Rubber Tube Seal (Pump Plate to Converter Housing)	1999-On
150E	85-103A	1	Reman Valve Body w/7 Solenoids, Unique "Short" Bolt	1999-00
150E	85-103B	1	Reman Valve Body w/7 Solenoids, Unique "Long" Bolt	1999-00
150E	85-103C	1	Reman Valve Body w/7 Solenoids, "Missing Solenoid, but Has Hole In V.B"	2001-04
150E	85-103D	1	Reman Valve Body w/7 Solenoids, No Accumulator Housing	2005-On

Subaru 4EAT (Late)